

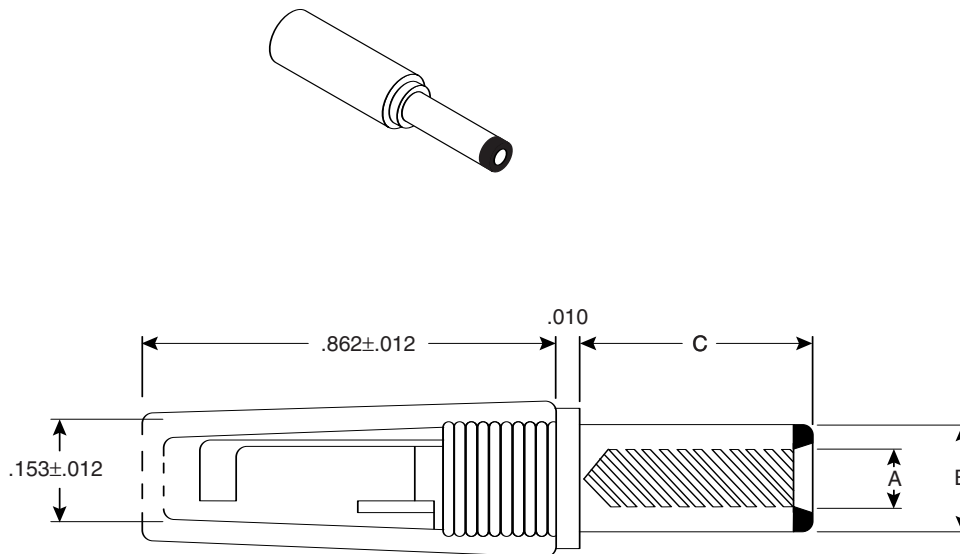
DC Power Plugs

1710-2111, 1710-2122, 1710-2131,
1710-2512, 1710-2521, 1710-2531



DC Power Plugs

1710-2111, 1710-2122, 1710-2131, 1710-2512, 1710-2521, 1710-2531



Dimensions: In.
(except where noted)

Mouser Stock No.	Dimensions (mm)			Housing Color
	A	B	C	
1710-2111	2.1	5.5	14.0	Black
1710-2122	2.1	5.5	14.0	Gray
1710-2131	2.1	5.5	9.9	Black
1710-2512	2.5	5.5	9.9	Gray
1710-2521	2.5	5.5	9.9	Black
1710-2531	2.5	5.5	14.0	Black

SPECIFICATIONS

DC power rating:	12VDC 0.5A
Withstand voltage:	500VAC/min.
Insulation resistance:	50MΩ min. @ 500VDC
Contact resistance:	30mΩ max.
Handle:	polyethylene
Plug body:	nickel plated brass
Contact:	nickel plated brass
Insulator:	PBT w/fiberglass
Maximum soldering temperature:	392°F
Thread Size:	M6
Thread Pitch:	0.5

Date Last Revised: 4-14-05

Available from Mouser Electronics
1-800-346-6873
www.mouser.com

KC-300472

Mouser Electronics

Authorized Distributor

Click to View Pricing, Inventory, Delivery & Lifecycle Information:

[Kobiconn:](#)

[1710-2131](#) [1710-2111](#) [1710-2521](#) [1710-2531](#) [1710-2512](#) [1710-2122](#)