

THIS DRAWING IS UNPUBLISHED.

RELEASED FOR PUBLICATION

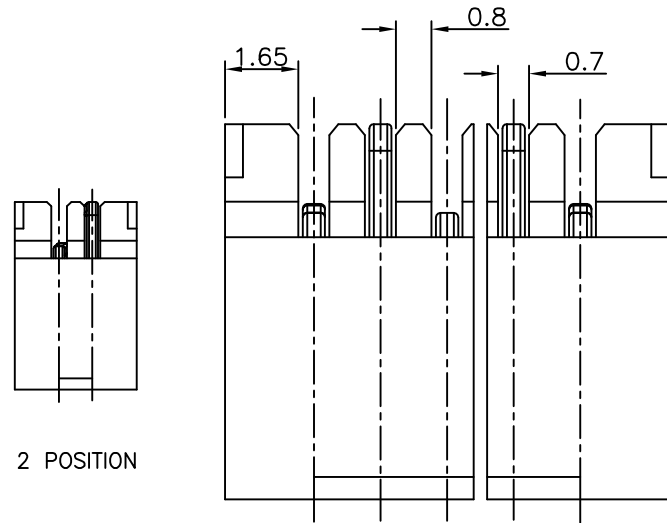
ALL RIGHTS RESERVED.

© COPYRIGHT - By -

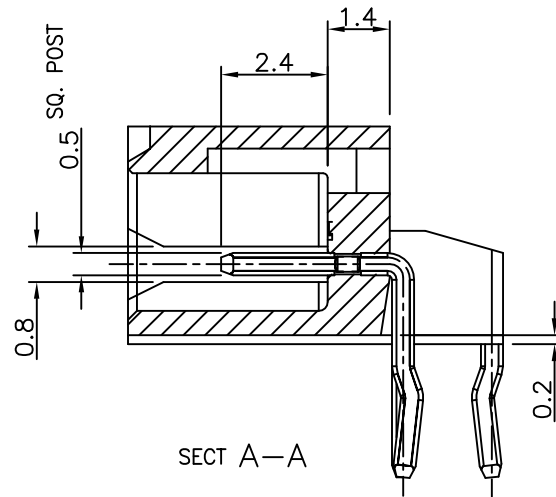
LOC ES DIST 00

REVISIONS

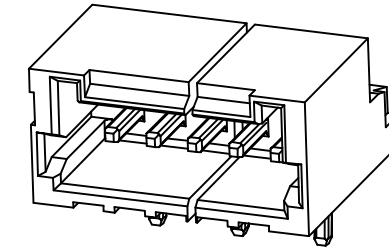
P	LTR	DESCRIPTION	DATE	DWN	APVD
A2		ECR-14-005789	19MAR14	T.Q	W.H



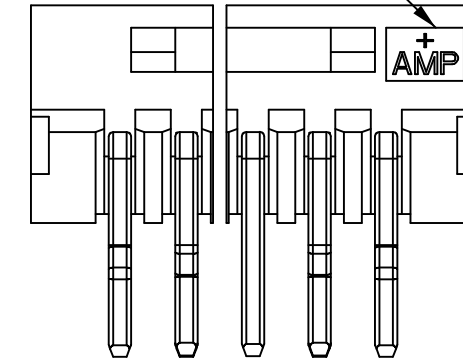
2 POSITION



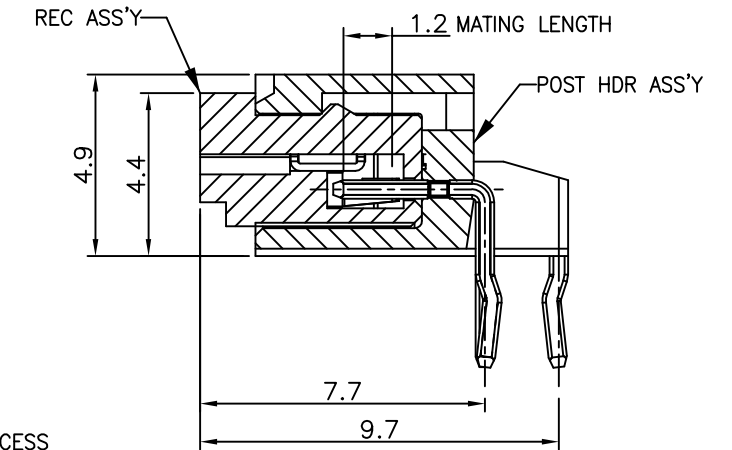
SECT A-A



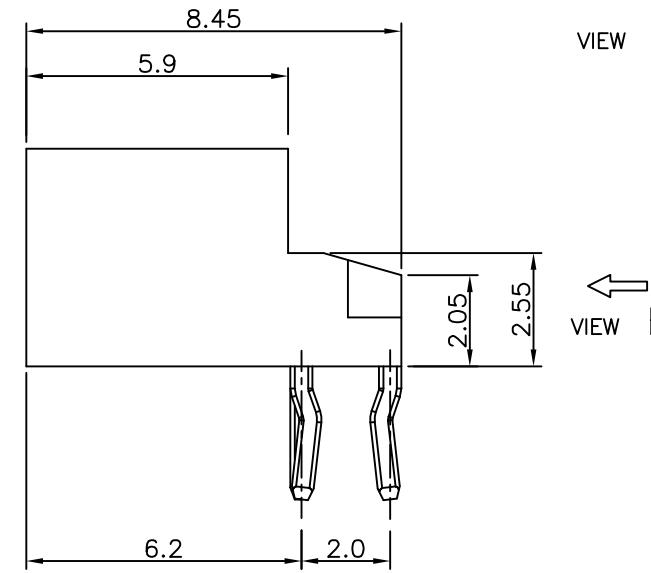
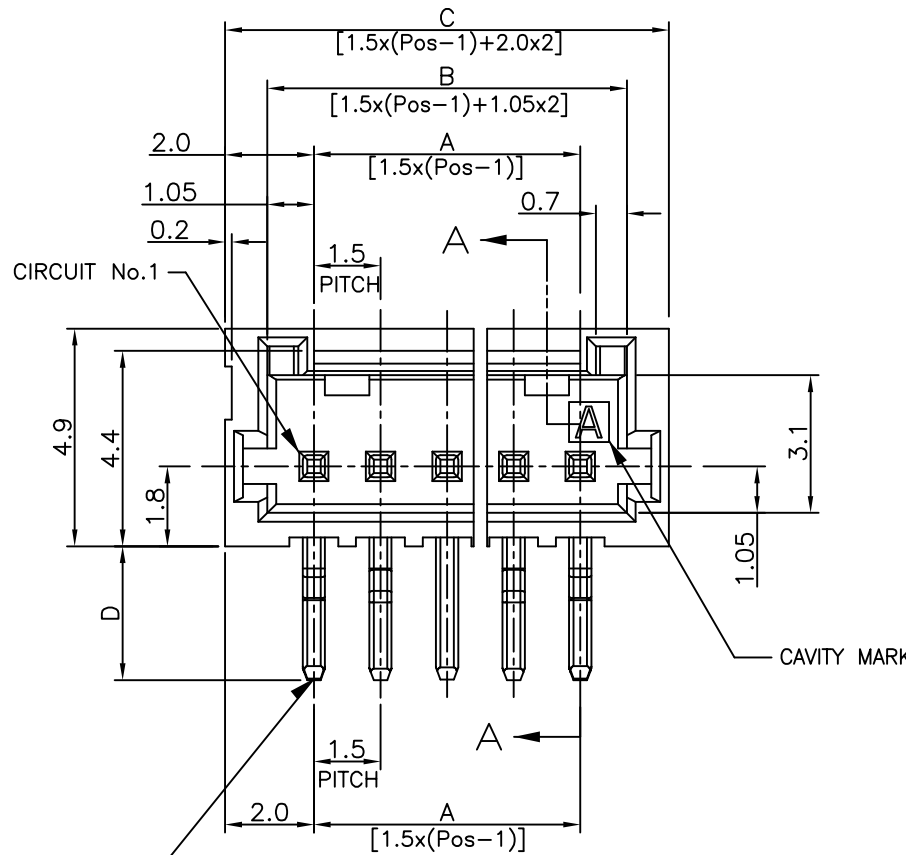
TRADE MARK



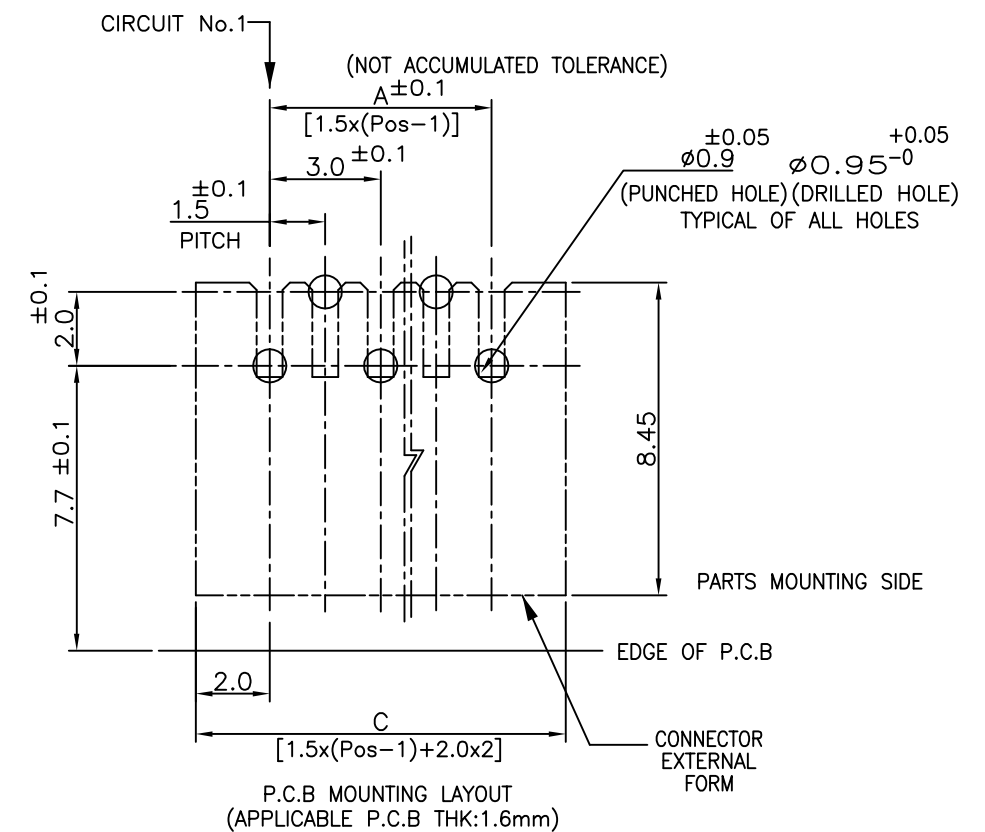
VIEW B



MATING SECTION



VIEW B



NOTES:

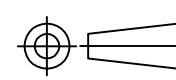
1.MATERIAL:
 HOUSING:NYLON(G.F.) UL94V-0,COLOR:GRAY,BLUE
 POST:PRE-TIN 0.5mm SQ. BRASS WIRE

TOLERANCES UNLESS OTHERWISE SPECIFIED:

10 > *	:	±0.2
30 > * > 10	:	±0.25
100 > * > 30	:	±0.3
ANGLE	:	±3°

THIS DRAWING IS A CONTROLLED DOCUMENT.

DIMENSIONS: MM



MATERIAL SEE NOTE 1

TOLERANCES UNLESS OTHERWISE SPECIFIED:

0 PLC	±	-
1 PLC	±	-
2 PLC	±	-
3 PLC	±	-
4 PLC	±	-
ANGLES	±	-

FINISH SEE NOTE 1

DWN	S.YAO	06DEC02
CHK	T.SASAKI	31JAN03
APVD	T.SASAKI	31JAN03
PRODUCT SPEC	108-60018	
APPLICATION SPEC	114-5223	
WEIGHT	SEE TABLE	
CUSTOMER DRAWING		



NAME			
AMP Mini CT Connector 1.5mm Pitch			
Single Row HDR Ass'y (H) DIP Staggered Type with Kink			
SIZE	CAGE CODE	DRAWING NO	RESTRICTED TO
A3	00779	C=292206	-
SCALE	NON	SHEET	1 OF 2
REV	A2		

LOC	DIST	REVISIONS					
ES	00	P	LTR	DESCRIPTION	DATE	DWN	APVD
		-		SEE SHEET 1	-	-	-


0.28	2.5	8.5	6.6	4.5	4		9-292206-4
0.23	2.5	7.0	5.1	3.0	3		9-292206-3
1.11	3.0	32.5	30.6	28.5	20	7-292206-0	2-292206-0
1.06	3.0	31.0	29.1	27.0	19	6-292206-9	1-292206-9
1.01	3.0	29.5	27.6	25.5	18	6-292206-8	1-292206-8
0.96	3.0	28.0	26.1	24.0	17	6-292206-7	1-292206-7
0.91	3.0	26.5	24.6	22.5	16	6-292206-6	1-292206-6
0.86	3.0	25.0	23.1	21.0	15	6-292206-5	1-292206-5
0.81	3.0	23.5	21.6	19.5	14	6-292206-4	1-292206-4
0.75	3.0	22.0	20.1	18.0	13	6-292206-3	1-292206-3
0.70	3.0	20.5	18.6	16.5	12	6-292206-2	1-292206-2
0.65	3.0	19.0	17.1	15.0	11	6-292206-1	1-292206-1
0.60	3.0	17.5	15.6	13.5	10	6-292206-0	1-292206-0
0.54	3.0	16.0	14.1	12.0	9	5-292206-9	292206-9
0.49	3.0	14.5	12.6	10.5	8	5-292206-8	292206-8
0.44	3.0	13.0	11.1	9.0	7	5-292206-7	292206-7
0.40	3.0	11.5	9.6	7.5	6	5-292206-6	292206-6
0.34	3.0	10.0	8.1	6.0	5	5-292206-5	292206-5
0.29	3.0	8.5	6.6	4.5	4	5-292206-4	292206-4
0.24	3.0	7.0	5.1	3.0	3	5-292206-3	292206-3
0.19	3.0	5.5	3.6	1.5	2	5-292206-2	292206-2
WEIGHT (g)	D	C	B	A	Pos.	BLUE	GRAY
	DIMENSIONS					PART NO	

RELEASED FOR PUBLICATION

ALL RIGHTS RESERVED.

THIS DRAWING IS UNPUBLISHED.

© COPYRIGHT - By -

DIMENSIONS: mm TOLERANCES UNLESS OTHERWISE SPECIFIED: 0 PLC ± - 1 PLC ± SEE SHEET 2 PLC ± 1 OF 2 3 PLC ± - 4 PLC ± - ANGLES ± -	DWN	-	MATERIAL	-	FINISH	-	
	CHK	-	 TE Connectivity				
	APVD	-					
	PRODUCT SPEC	-	NAME AMP Mini CT Connector 1.5mm Pitch Single Row Post HDR Ass'y (H) DIP Staggered Type with Kink				
APPLICATION SPEC	-	SIZE	CAGE CODE	DRAWING NO	RESTRICTED TO		
WEIGHT	-	A4	00779	©-292206	-		
CUSTOMER DRAWING				SCALE	-	SHEET 2 OF 2	REV A2

Mouser Electronics

Authorized Distributor

Click to View Pricing, Inventory, Delivery & Lifecycle Information:

[TE Connectivity:](#)

[6-292206-8](#)