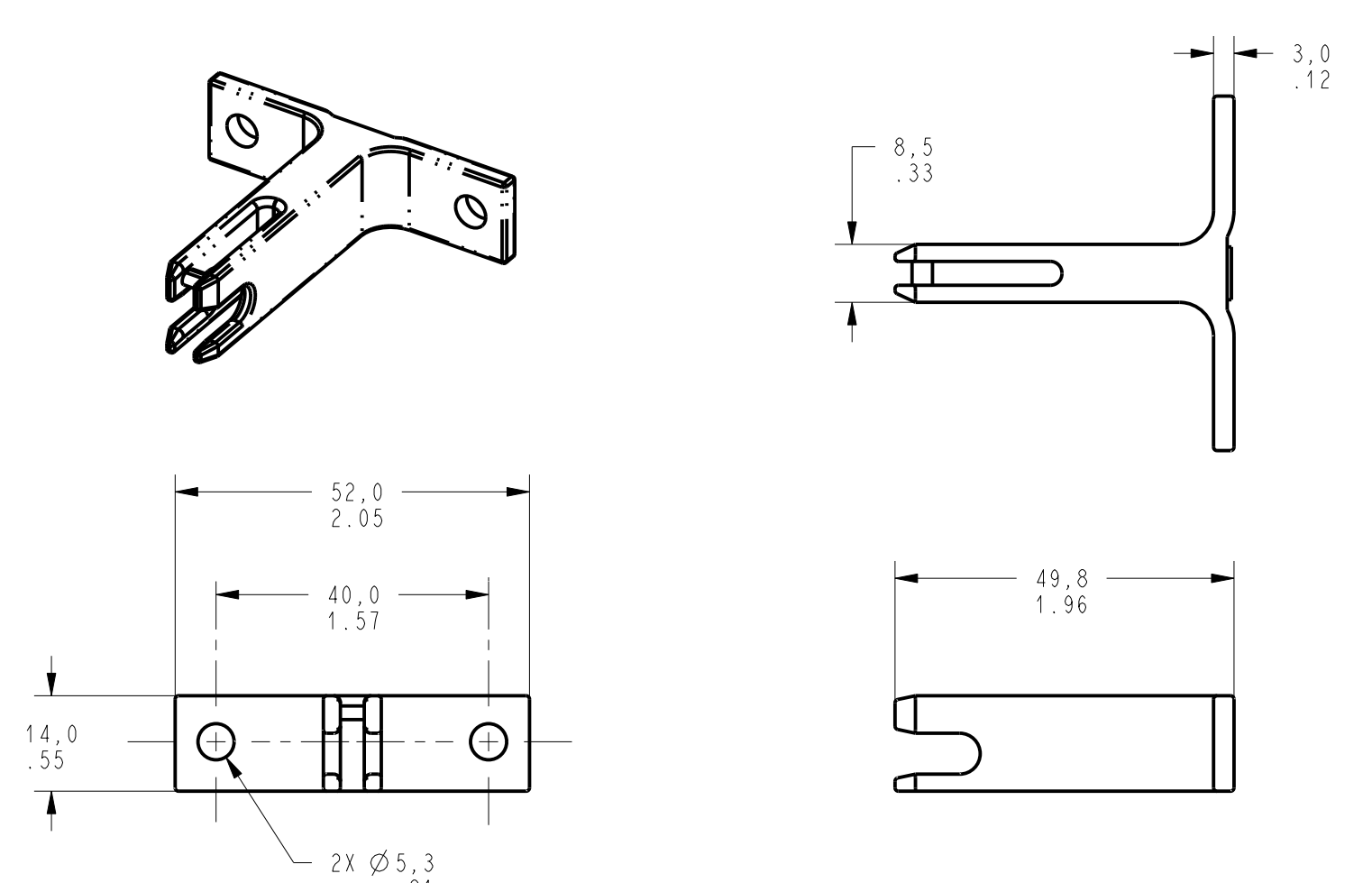
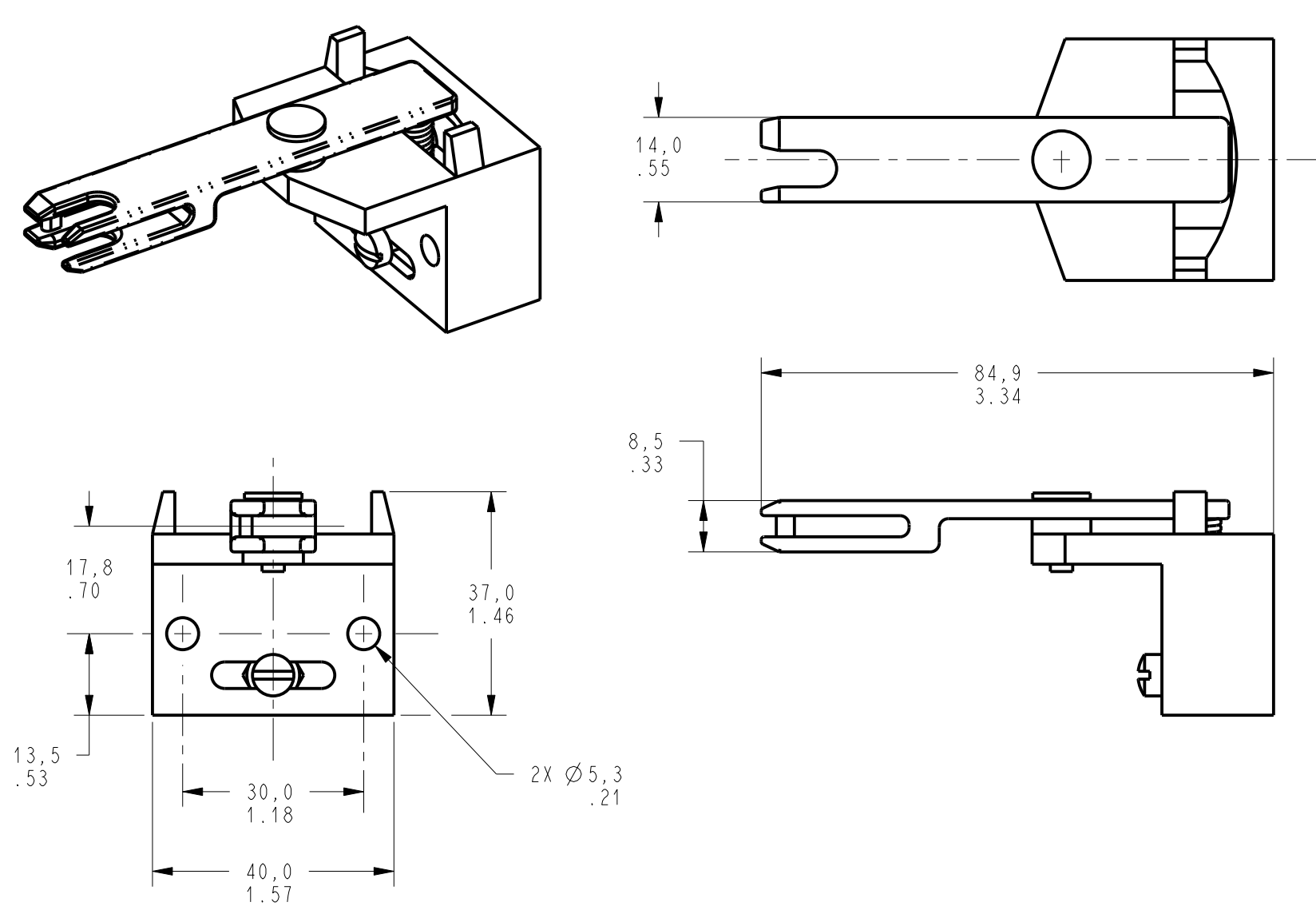


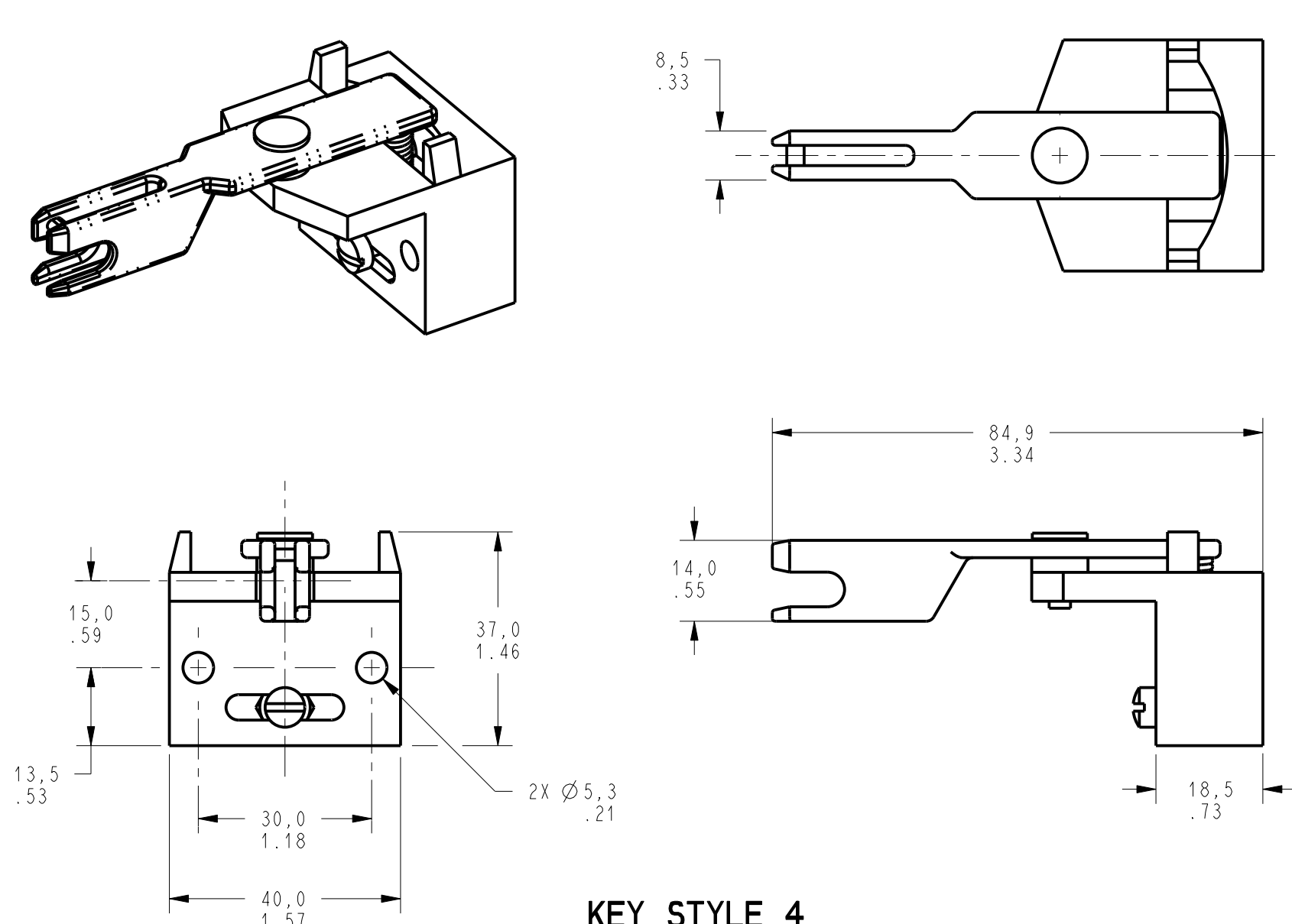
KEY STYLE 1



KEY STYLE 2



KEY STYLE 3



KEY STYLE 4

CATALOG LISTING TYPE GKZ5

CATALOG LISTING	KEY STYLE
GKZ56	1 - STRAIGHT
GKZ57	2 - 90°
GKZ58	3 - UP - DOWN
GKZ59	4 - SIDE - SIDE

MICRO SWITCH
a Honeywell Division

SWITCH - KEY

CATALOG LISTING
GKZ5 SERIES CHART 2

THIS DRAWING COVERS A PROPRIETARY ITEM AND IS THE PROPERTY OF MICRO SWITCH, A DIVISION OF HONEYWELL. THIS DRAWING IS NOT TO BE COPIED OR USED WITHOUT THE APPROVAL OF MICRO SWITCH.

THIRD ANGLE PROJECTION
SCALE FULL
DO NOT SCALE PRINT
UNLESS OTHERWISE SPECIFIED TOLERANCES ARE
NO PLACE (0) ± 1 MM
ONE PLACE (0,0) ± 0,4 MM
TWO PLACE (0,00) ± 0,15 MM
ANGLES ±
WEIGHT

GKZ5 SERIES CHART 2
 PAGE 1 OF 1
 RELEASE NO. PR-23758
 REPLACES
 DRAWING NUMBER
 ISSUE 2
 REVISIONS
 A 0001876
 27 OCT 03
 CHECK
 12MAY99
 CHECK
 9 JUL 98
 CHECK
 JAF
 PTC/CAD
 MAM

Mouser Electronics

Authorized Distributor

Click to View Pricing, Inventory, Delivery & Lifecycle Information:

[Honeywell:](#)

[GKZ59](#) [GKZ58](#)