



FEATURES

Small Size - Good dvdt - EN60252-1 rated

APPLICATIONS

AC Application - Motor Run - AC/DC Motor Controls -
Switching Power Supplies

Operating Temperature Range		-40°C to +100°C without approvals -25°C to +85°C with approvals					
Capacitance Tolerance		±10% at 1 kHz, 25°C ±5% optional					
Peak, AC voltage (50/60 Hz)	Code	A04	A03	A02	A01	A05	
	WVDC	370	500	600	800	1200	
	SVDC	470	625	750	1050	1500	
	VAC	160/200	250/320	320/400/430	400/432/500	500/600	
Dissipation Factor (MAX) Tan δ at 1 kHz and 25°C		C<2.2uF	2.2<C<15uF	15<C<22uF	C>22uF		
		.06%	.1%	.12%	.15%		
Insulation Resistance @25°C (<70% RH)for 1 minute at 100VDC applied		10000 MΩ, C<1uF 3000 MΩxμF, C≥1uF					
Self Inductance		<1 nano-Henry per mm of lead spacing					
Dielectric Strength		Terminal to Terminal			Terminal to Case		
		160% of VAC for 60 Seconds and 25°C or 200% VAC applied for 60 Seconds and 25°C for EN 60252-1 approval			3kVAC (50/60 Hz) applied for 60 Seconds and 25°C		
Damp Heat		56 days with no voltage applied at +40C and 93%(+2%) relative humidity					
		Capacitance Change			<+2% of initially measured value		
		Dissipation Factor			≤.001 at 1 kHz for C>0.1uF		
		Insulation Resistance			>50% of minimum specified value		
Reliability	WVDC	Class A	Class B	Class C	Class D		
	Hours	30000	10000	3000	1000		
	test	6000	2000	600	200		
Failure quota		500/10 ⁹ component hours					
Construction		metallized film					
Coating		Flame Retardant Plastic box with epoxy end fill(UL94V0)					
Lead terminations		Lead free tinned copper leads					



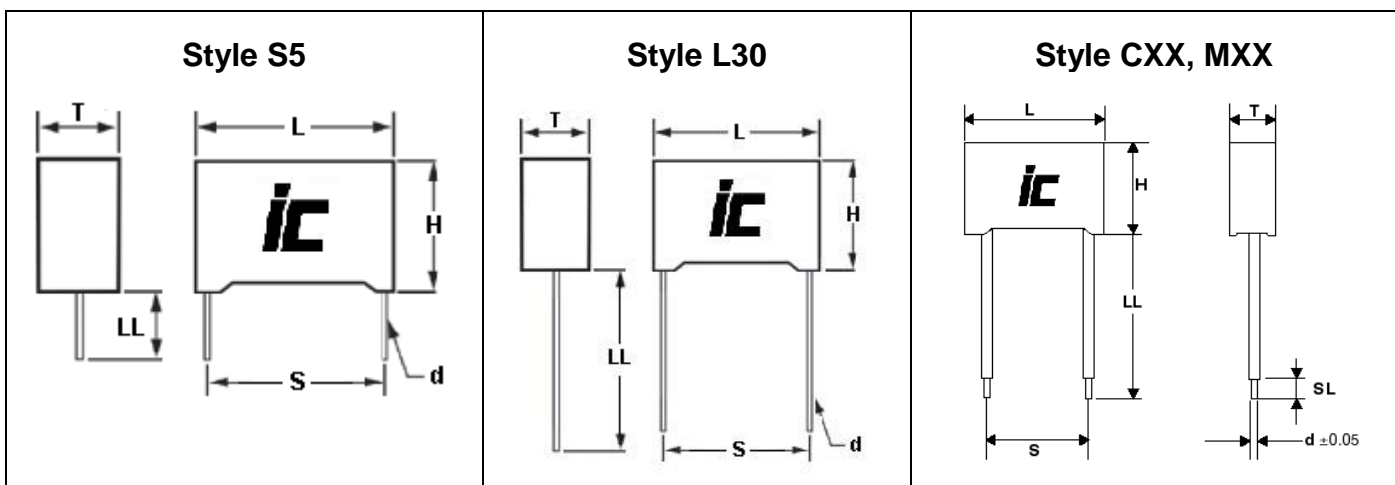
Voltage code	WVDC/ SVDC	VAC	Agency standard	Description	Certification Approval
A04	350/ 425	160 200	UL 810 CSA 22.2	Construction only (E192977) 190-M-1985 30000 hrs. Continuous Service 3000 hrs. Continuous Service	Class A Class C
A03	500/ 625	275 320	UL 810 CSA 22.2	Construction only (E192977) 190-M-1985 30000 hrs. Continuous Service 10000 hrs. Continuous Service 3000 hrs. Continuous Service	Class A Class B Class C
A02	600/ 750	320 400 430	UL 810 CSA 22.2 EN60252-1 EN60252-1 EN60252-1	Construction only (E192977) 190-M-1985 30000 hrs. Continuous Service 10000 hrs. Continuous Service 1000 hrs. Continuous Service	Class A Class B Class D
A01	800/ 1050	400 430 500	UL 810 CSA 22.2 EN60252-1 EN60252-1 EN60252-1	Construction only (E192977) 190-M-1985 30000 hrs. Continuous Service 10000 hrs. Continuous Service 3000 hrs. Continuous Service	Class A Class B Class C
A05	1200/ 1500	500 600	UL 810 CSA 22.2	Construction only (E192977) 190-M-1985 10000 hrs. Continuous Service 3000 hrs. Continuous Service	Class B Class C

Terminal Style Selection

S5	5mm+/-1mm	Solid tinned copper wire
L30	30mm+/-5mm	Solid tinned copper wire
CXX	Customer specified	Insulated Solid tinned copper wire (50-200mm Lead length)
MXX	Customer specified	Insulated Stranded tinned copper wire (50-200mm Lead length)

Lead Spacing

L	26.5	32	39.5	42.5
S	22.5	27.5	35	37.5
d	0.8	0.8	0.8	1.0



MAB

Motor Run

Capacitance (µF)	WVDC	IC PART NUMBER	dv/dt (v/µ sec.)	Dims LxHxT (mm)	S (MM)	d (MM)
0.1	800	104MABA01KG#	120	26.5x16x7	22.5	0.8
0.1	1200	104MABA05KG#	175	26.5x16x7	22.5	0.8
0.12	800	124MABA01KG#	120	26.5x16x7	22.5	0.8
0.12	1200	124MABA05KG#	175	26.5x17x8.5	22.5	0.8
0.15	800	154MABA01KG#	120	26.5x17x8.5	22.5	0.8
0.15	1200	154MABA05KG#	175	26.5x17x8.5	22.5	0.8
0.18	1200	184MABA05KG#	175	26.5x18.5x10	22.5	0.8
0.22	800	224MABA01KG#	120	26.5x18.5x10	22.5	0.8
0.22	800	224MABA01KH#	100	32x20x11	27.5	0.8
0.22	1200	224MABA05KG#	175	26.5x20x11	22.5	0.8
0.22	1200	224MABA05KH#	145	32x20x11	27.5	0.8
0.27	800	274MABA01KG#	120	26.5x18.5x10	22.5	0.8
0.27	1200	274MABA05KG#	175	26.5x22x13	22.5	0.8
0.27	1200	274MABA05KH#	145	32x20x11	27.5	0.8
0.33	600	334MABA02KG#	90	26.5x16x7	22.5	0.8
0.33	800	334MABA01KG#	120	26.5x18.5x10	22.5	0.8
0.33	800	334MABA01KH#	100	32x20x11	27.5	0.8
0.33	1200	334MABA05KH#	145	32x22x13	27.5	0.8
0.39	600	394MABA02KG#	90	26.5x16x7	22.5	0.8
0.39	800	394MABA01KH#	100	32x20x11	27.5	0.8
0.39	800	394MABA01KG#	120	26.5x18.5x10	22.5	0.8
0.39	1200	394MABA05KH#	145	32x22x13	27.5	0.8
0.47	600	474MABA02KG#	90	26.5x17x8.5	22.5	0.8
0.47	800	474MABA01KG#	120	26.5x20x11	22.5	0.8
0.47	800	474MABA01KH#	100	32x20x11	27.5	0.8
0.47	1200	474MABA05KH#	145	32x28x14	27.5	0.8
0.56	600	564MABA02KG#	90	26.5x17x8.5	22.5	0.8
0.56	800	564MABA01KH#	100	32x20x11	27.5	0.8
0.56	800	564MABA01KH#	100	32x20x11	27.5	0.8
0.56	1200	564MABA05KH#	145	32x28x14	27.5	0.8
0.62	800	624MABA01KH#	100	32x20x11	27.5	0.8
0.62	800	624MABA01KI#	70	39.5x26x15	35	0.8
0.62	800	624MABA01KG#	120	26.5x22x13	22.5	0.8
0.68	500	684MABA03KG#	60	26.5x16x7	22.5	0.8
0.68	600	684MABA02KG#	90	26.5x18.5x10	22.5	0.8
0.68	600	684MABA02KH#	70	32x20x11	27.5	0.8
0.68	800	684MABA01KI#	70	39.5x26x15	35	0.8
0.68	800	684MABA01KI#	70	39.5x26x15	27.5	0.8
0.68	800	684MABA01KH#	100	32x20x11	27.5	0.8
0.68	1200	684MABA05KH#	145	32x33x18	27.5	0.8
0.75	500	754MABA03KG#	60	26.5x17x8.5	22.5	0.8
0.75	800	754MABA01KH#	100	32x22x13	27.5	0.8
0.75	800	754MABA01KI#	70	39.5x26x15	35	0.8
0.75	1200	754MABA05KH#	145	32x33x18	27.5	0.8
0.82	500	824MABA03KG#	60	26.5x17x8.5	22.5	0.8
0.82	600	824MABA02KH#	70	32x20x11	27.5	0.8
0.82	600	824MABA02KH#	70	32x20x11	27.5	0.8
0.82	800	824MABA01KH#	100	32x22x13	27.5	0.8
0.82	800	824MABA01KI#	70	39.5x26x15	35	0.8
0.82	1200	824MABA05KH#	145	32x33x18	27.5	0.8
1	370	105MABA04KG#	50	26.5x16x7	22.5	0.8
1	500	105MABA03KG#	60	26.5x18.5x10	22.5	0.8
1	600	105MABA02KH#	70	32x20x11	27.5	0.8
1	600	105MABA02KH#	70	32x20x11	27.5	0.8
1	800	105MABA01KH#	100	32x24.5x15	27.5	0.8
1	800	105MABA01KI#	70	39.5x26x15	35	0.8
1	1200	105MABA05KJ#	90	42.5x28x17	37.5	0.8
1.2	370	125MABA04KG#	50	26.5x17x8.5	22.5	0.8

Capacitance (µF)	WVDC	IC PART NUMBER	dv/dt (v/µ sec.)	Dims LxHxT (mm)	S (MM)	d (MM)
1.2	500	125MABA03KG#	60	26.5x20x11	22.5	0.8
1.2	500	125MABA03KH#	50	32x17x9	27.5	0.8
1.2	600	125MABA02KH#	70	32x20x11	27.5	0.8
1.2	800	125MABA01KH#	100	32x24.5x15	27.5	0.8
1.2	800	125MABA01KI#	70	39.5x26x15	35	0.8
1.2	1200	125MABA05KJ#	90	42.5x30x22	37.5	1
1.5	370	155MABA04KG#	50	26.5x17x8.5	22.5	0.8
1.5	500	155MABA03KG#	60	26.5x22x13	22.5	0.8
1.5	500	155MABA03KH#	50	32x22x11	27.5	0.8
1.5	600	155MABA02KH#	70	32x22x13	27.5	0.8
1.5	800	155MABA01KH#	100	32x33x18	27.5	0.8
1.5	800	155MABA01KI#	70	39.5x26x15	35	0.8
1.5	1200	155MABA05KJ#	90	42.5x30x22	37.5	1
1.8	370	185MABA04KG#	50	26.5x18.5x10	22.5	0.8
1.8	370	185MABA04KH#	40	32x17x9	27.5	0.8
1.8	500	185MABA03KH#	50	32x22x11	27.5	0.8
1.8	600	185MABA02KH#	70	32x28x14	27.5	0.8
1.8	800	185MABA01KH#	70	32x33x18	27.5	0.8
1.8	800	185MABA01KJ#	65	42.5x28x17	37.5	1
1.8	1200	185MABA05KJ#	90	42.5x37x28	37.5	1
2	370	205MABA04KH#	40	32x17x9	27.5	0.8
2	370	205MABA04KG#	50	26.5x20x11	22.5	0.8
2	500	205MABA03KH#	50	32x22x13	27.5	0.8
2	600	205MABA02KH#	70	32x28x14	27.5	0.8
2	600	205MABA02KI#	50	39.5x26x15	35	0.8
2	800	205MABA01KH#	65	32x33x18	27.5	0.8
2	800	205MABA01KJ#	65	42.5x28x17	37.5	1
2	1200	205MABA05KJ#	90	42.5x37x28	37.5	1
2.2	370	225MABA04KG#	50	26.5x20x11	22.5	0.8
2.2	370	225MABA04KH#	40	32x20x11	27.5	0.8
2.2	500	225MABA03KH#	50	32x22x13	27.5	0.8
2.2	600	225MABA02KH#	70	32x28x14	27.5	0.8
2.2	600	225MABA02KI#	50	39.5x26x15	35	0.8
2.2	800	225MABA01KH#	65	32x33x18	27.5	0.8
2.2	800	225MABA01KJ#	65	42.5x28x17	37.5	1
2.2	1200	225MABA05KJ#	90	42.5x37x28	37.5	1
2.5	370	255MABA04KH#	40	32x20x11	27.5	0.8
2.5	370	255MABA04KG#	50	26.5x22x13	22.5	0.8
2.5	500	255MABA03KH#	50	32x22x13	27.5	0.8
2.5	600	255MABA02KH#	70	32x28x14	27.5	0.8
2.5	600	255MABA02KI#	50	39.5x26x15	35	0.8
2.5	800	255MABA01KJ#	65	42.5x28x17	37.5	1
2.5	1200	255MABA05KJ#	90	42.5x37x28	37.5	1
2.7	370	275MABA04KG#	50	26.5x22x13	22.5	0.8
2.7	370	275MABA04KH#	40	32x20x11	27.5	0.8
2.7	500	275MABA03KH#	50	32x22x13	27.5	0.8
2.7	600	275MABA02KI#	50	39.5x26x15	35	0.8
2.7	600	275MABA02KH#	70	32x28x14	27.5	0.8
2.7	800	275MABA01KJ#	65	42.5x30x22	37.5	1
2.7	1200	275MABA05KJ#	90	42.5x45x30	37.5	1
3	370	305MABA04KH#	40	32x22x13	27.5	0.8
3	500	305MABA03KH#	50	32x24.5x15	27.5	0.8
3	600	305MABA02KH#	70	32x33x18	27.5	0.8
3	600	305MABA02KI#	50	39.5x26x15	35	0.8
3	600	305MABA02KJ#	50	42.5x28x17	37.5	1
3	800	305MABA01KJ#	65	42.5x30x22	37.5	1
3	1200	305MABA05KJ#	90	42.5x45x30	37.5	1
3.15	500	315MABA03KH#	50	32x24.5x15	27.5	0.8

MAB

Motor Run

Capacitance (µF)	WVDC	IC PART NUMBER	dv/dt (v/µ sec.)	Dims LxHxT (mm)	S (MM)	d (MM)
3.15	500	315MABA03KI#	40	39.5x26x15	35	0.8
3.3	370	335MABA04KH#	40	32x22x13	27.5	0.8
3.3	500	335MABA03KH#	50	32x24.5x15	27.5	0.8
3.3	500	335MABA03KI#	40	39.5x26x15	35	0.8
3.3	600	335MABA02KH#	70	32x33x18	27.5	0.8
3.3	600	335MABA02KJ#	50	42.5x28x17	37.5	1
3.3	600	335MABA02KI#	50	39.5x26x15	35	0.8
3.3	800	335MABA01KJ#	65	42.5x30x22	37.5	1
3.3	1200	335MABA05KJ#	90	42.5x45x30	37.5	1
3.5	370	355MABA04KH#	40	32x22x13	27.5	0.8
3.5	500	355MABA03KH#	50	32x24.5x15	27.5	0.8
3.5	500	355MABA03KI#	40	39.5x26x15	35	0.8
3.5	600	355MABA02KH#	70	32x33x18	27.5	0.8
3.5	600	355MABA02KJ#	50	42.5x28x17	37.5	1
3.5	800	355MABA01KJ#	65	42.5x33.5x22	37.5	1
3.5	1200	355MABA05KJ#	90	42.5x45x30	37.5	1
4	370	405MABA04KH#	40	32x22x13	27.5	0.8
4	500	405MABA03KI#	40	39.5x26x15	35	0.8
4	500	405MABA03KH#	50	32x33x18	27.5	0.8
4	600	405MABA02KH#	70	32x33x18	27.5	0.8
4	600	405MABA02KJ#	50	42.5x28x17	37.5	1
4	800	405MABA01KJ#	65	42.5x33.5x22	37.5	1
4.5	370	455MABA04KH#	40	32x24.5x15	27.5	0.8
4.5	500	455MABA03KH#	50	32x33x18	27.5	0.8
4.5	500	455MABA03KJ#	35	42.5x28x17	37.5	1
4.5	600	455MABA02KJ#	50	42.5x30x22	37.5	1
4.5	800	455MABA01KJ#	65	42.5x33.5x22	37.5	1
4.7	370	475MABA04KH#	40	32x28x14	27.5	0.8
4.7	500	475MABA03KH#	50	32x33x18	27.5	0.8
4.7	500	475MABA03KJ#	35	42.5x28x17	37.5	1
4.7	600	475MABA02KJ#	50	42.5x30x22	37.5	1
4.7	800	475MABA01KJ#	65	42.5x37x28	37.5	1
5	370	505MABA04KH#	40	32x28x14	27.5	0.8
5	500	505MABA03KH#	50	32x33x18	27.5	0.8
5	500	505MABA03KJ#	35	42.5x28x17	37.5	1
5	600	505MABA02KJ#	50	42.5x30x22	37.5	1
5	800	505MABA01KJ#	65	42.5x37x28	37.5	1
5.5	800	555MABA01KJ#	65	42.5x37x28	37.5	1
6	370	605MABA04KH#	40	32x33x18	27.5	0.8
6	370	605MABA04KI#	30	39.5x26x15	35	0.8
6	500	605MABA03KJ#	35	42.5x28x17	37.5	1

Capacitance (µF)	WVDC	IC PART NUMBER	dv/dt (v/µ sec.)	Dims LxHxT (mm)	S (MM)	d (MM)
6	600	605MABA02KJ#	50	42.5x30x22	37.5	1
6	800	605MABA01KJ#	65	42.5x37x28	37.5	1
6.3	600	635MABA02KJ#	50	42.5x30x22	37.5	1
6.3	800	635MABA01KJ#	65	42.5x37x28	37.5	1
6.5	500	655MABA03KJ#	35	42.5x28x17	37.5	1
6.8	370	685MABA04KJ#	25	42.5x28x17	37.5	1
6.8	370	685MABA04KH#	40	32x33x18	27.5	0.8
6.8	370	685MABA04KI#	30	39.5x26x15	35	0.8
6.8	600	685MABA02KJ#	50	42.5x33.5x22	37.5	1
7	370	705MABA04KJ#	25	42.5x28x17	37.5	1
7	370	705MABA04KH#	40	32x33x18	27.5	0.8
7	370	705MABA04KI#	30	39.5x26x15	35	0.8
7	800	705MABA01KJ#	65	42.5x45x30	37.5	1
8	370	805MABA04KH#	40	32x33x18	27.5	0.8
8	370	805MABA04KJ#	25	42.5x28x17	37.5	1
8	500	805MABA03KJ#	35	42.5x30x22	37.5	1
8	600	805MABA02KJ#	50	42.5x33.5x22	37.5	1
8	800	805MABA01KJ#	65	42.5x45x30	37.5	1
8.5	800	855MABA01KJ#	65	42.5x45x30	37.5	1
10	370	106MABA04KJ#	25	42.5x28x17	37.5	1
10	500	106MABA03KJ#	35	42.5x30x22	37.5	1
10	600	106MABA02KJ#	50	42.5x37x28	37.5	1
11	600	116MABA02KJ#	50	42.5x45x30	37.5	1
12	370	126MABA04KJ#	25	42.5x30x22	37.5	1
12	500	126MABA03KJ#	35	42.5x37x28	37.5	1
12	600	126MABA02KJ#	50	42.5x45x30	37.5	1
13	600	136MABA02KJ#	50	42.5x45x30	37.5	1
14	600	146MABA02KJ#	50	42.5x45x30	37.5	1
15	370	156MABA04KJ#	25	42.5x30x22	37.5	1
15	500	156MABA03KJ#	35	42.5x37x28	37.5	1
15	600	156MABA02KJ#	50	42.5x45x30	37.5	1
18	370	186MABA04KJ#	25	42.5x37x28	37.5	1
18	500	186MABA03KJ#	35	42.5x45x30	37.5	1
20	370	206MABA04KJ#	25	42.5x37x28	37.5	1
20	500	206MABA03KJ#	35	42.5x45x30	37.5	1
22	370	226MABA04KJ#	25	42.5x37x28	37.5	1
22	500	226MABA03KJ#	35	42.5x45x30	37.5	1
25	370	256MABA04KJ#	25	42.5x37x28	37.5	1
27	370	276MABA04KJ#	25	42.5x45x30	37.5	1
30	370	306MABA04KJ#	25	42.5x45x30	37.5	1
33	370	336MABA04KJ#	25	42.5x45x30	37.5	1