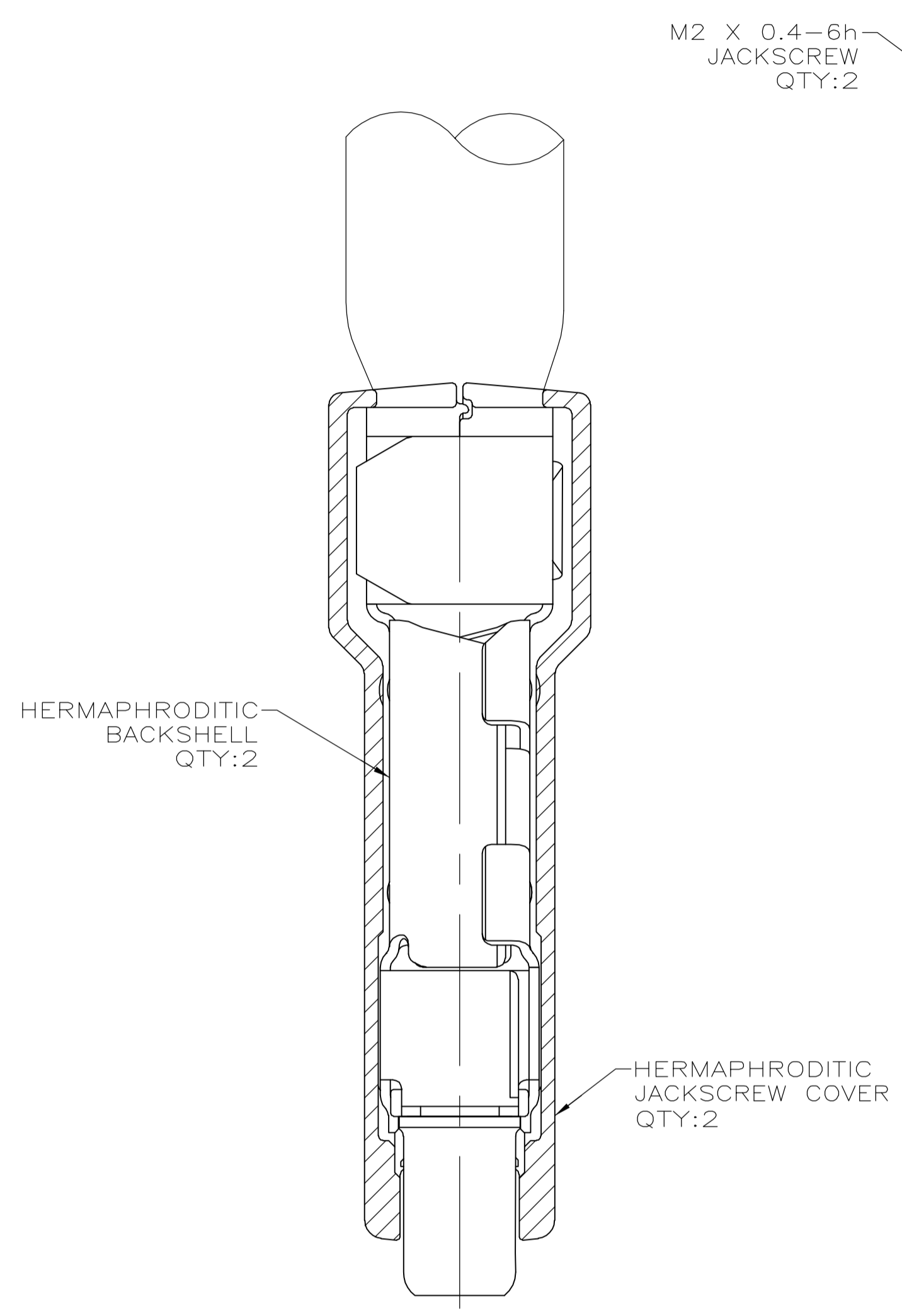
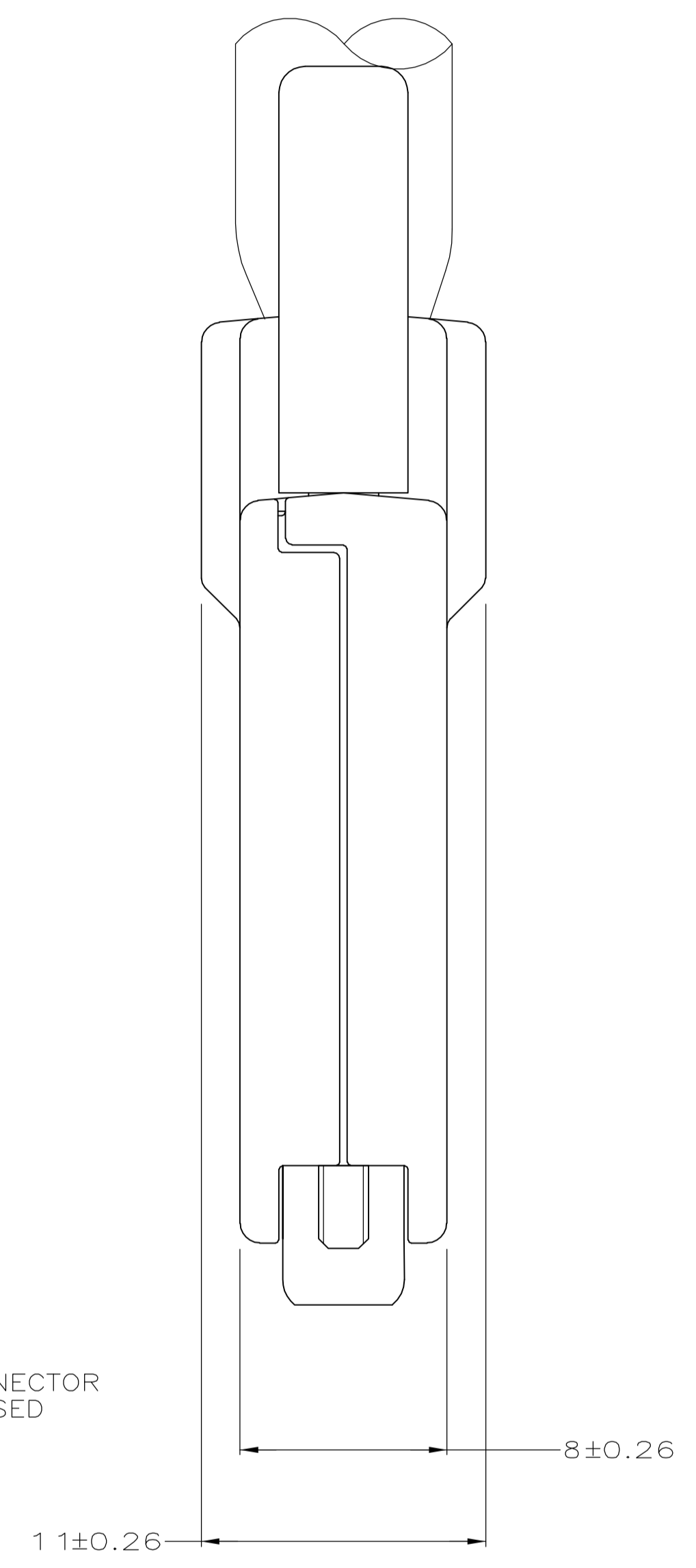
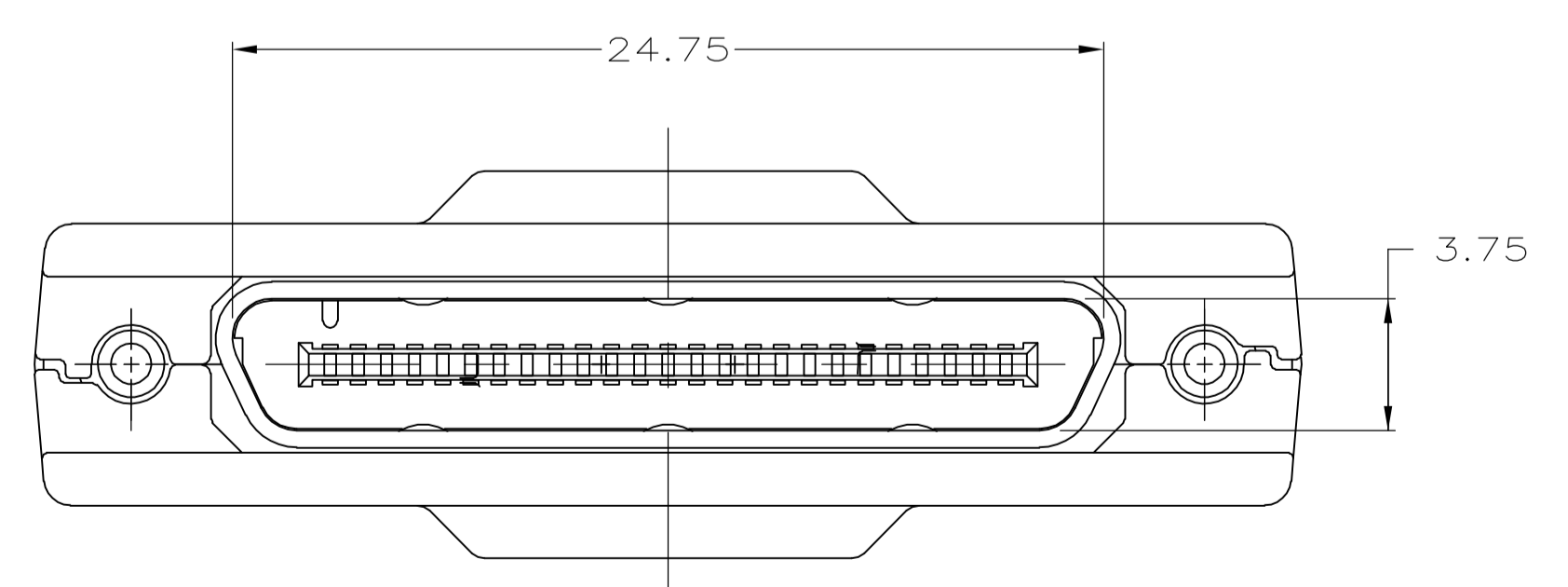
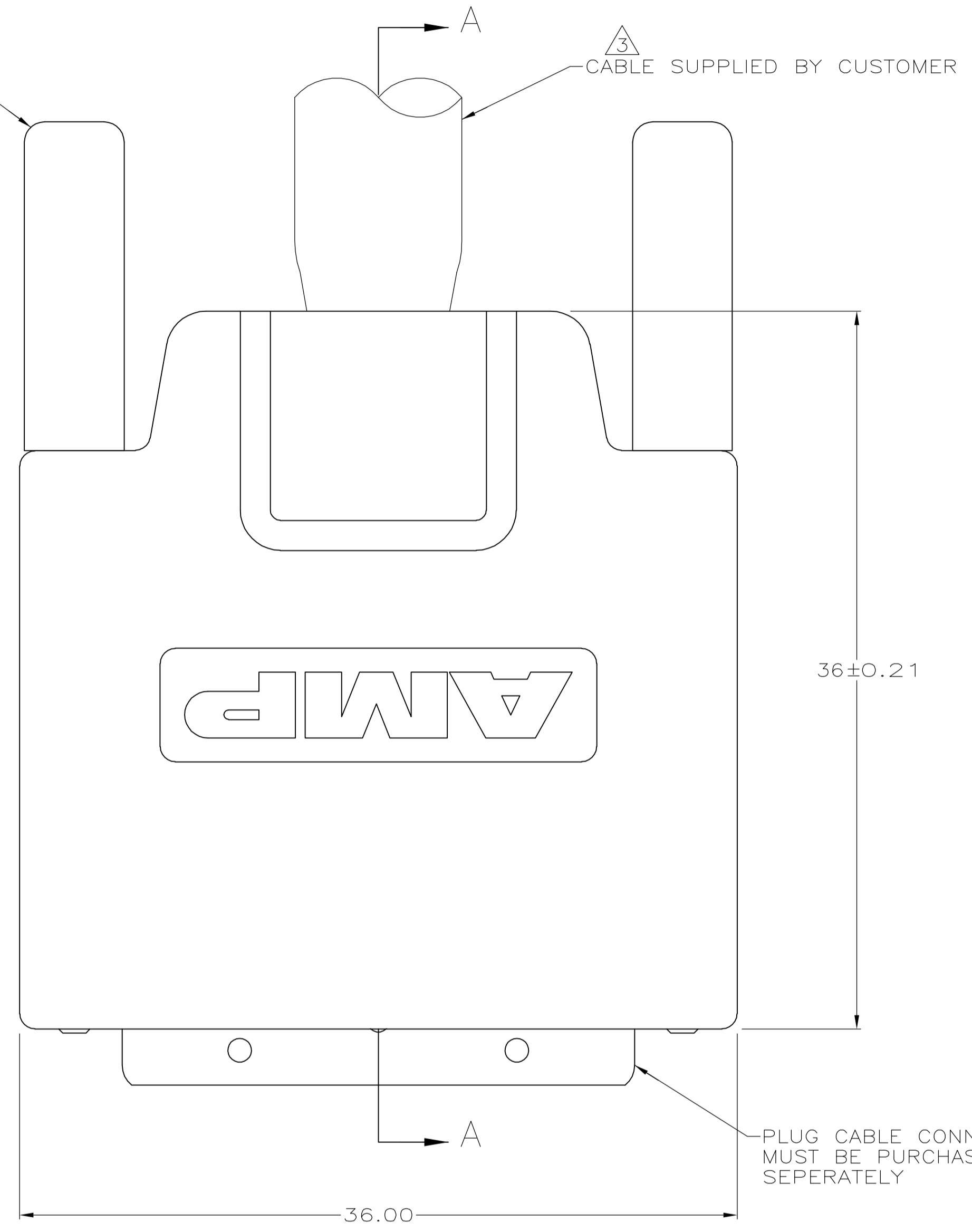


LOC		DIST		REVISIONS			
GP	00	REV	DATE	BY	APP'D		
0		RELEASED PER EC 0513-0337-06	16MAR06	JG	SS		



SECTION A-A



- △ MATERIAL:  
 HERMAPHRODITIC BACKSHELL: STEEL.  
 JACKSCREW: STEEL.  
 JACKSCREW HEAD: ABS MOLDING COMPOUND, COLOR BLACK.  
 HERMAPHRODITIC JACKSCREW COVER: UL 94V-0 RATED ABS MOLDING COMPOUND, COLOR BLACK.
- △ PLATING:  
 HERMAPHRODITIC BACKSHELL- 5µm MIN BRIGHT NICKEL OVER 2.5µm MIN COPPER.  
 JACKSCREW - BLUE TRIVALENT CHROMIUM OVER ZINC.
- △ RECOMMENDED WIRE: 30 AWG WITH A 0.56-0.64 INSULATION DIAMETER, WIRE MUST BE APPROVED BY AMP ENGINEERING.
- 4. BULK PACKAGED 100 KITS PER BAG.

PLUG CABLE CONNECTOR MUST BE PURCHASED SEPERATELY

5787233-1  
PART NO

THIS DRAWING IS A CONTROLLED DOCUMENT.		DWG: J.GERACE 16MAR06		Tyco Electronics Corporation Harrisburg, PA 17105-3608	
DIMENSIONS: mm		CHK: S.SHUEY 16MAR06		AP'D: M.WALMSLEY 16MAR06	NAME: BACKSHELL KIT, JACKSCREW, CABLE CONNECTOR, 0.8mm CHAMP
TOLERANCES UNLESS OTHERWISE SPECIFIED:		PRODUCT SPEC: 108-1471		APPLICATION SPEC: -	
0 PLC ± -		SIZE: A1		CAGE CODE: 00779	
1 PLC ± -		DRAWING NO: 5787233		RESTRICTED TO: -	
2 PLC ± 0.13		WEIGHT: -		SCALE: 5:1	
3 PLC ± -		CUSTOMER DRAWING		SHEET 1 OF 1	
4 PLC ± -				REV 0	
ANGLES ± -					
FINISH: △					