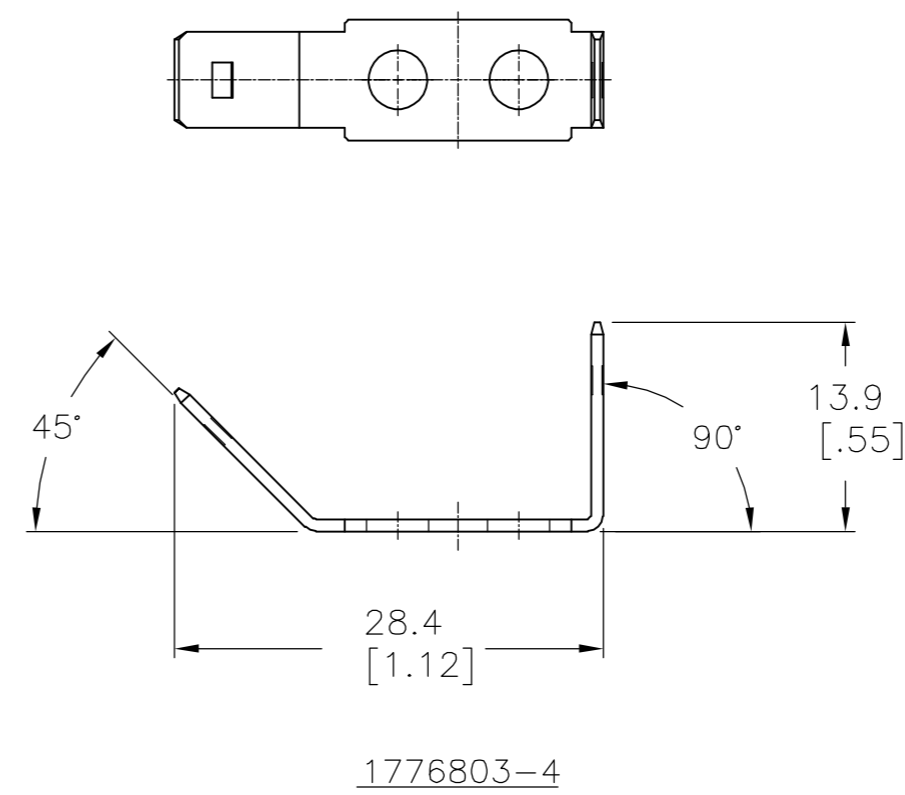
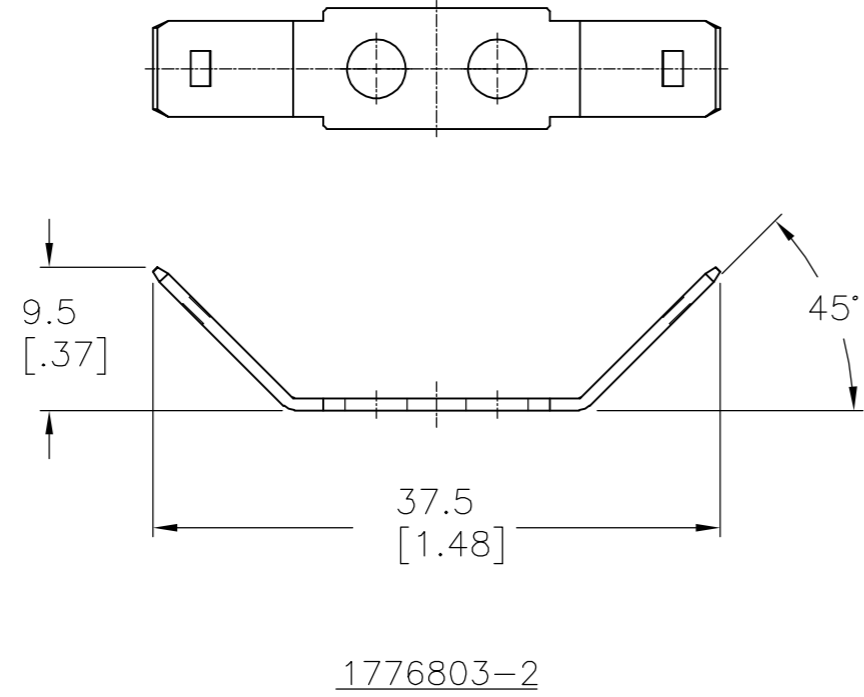
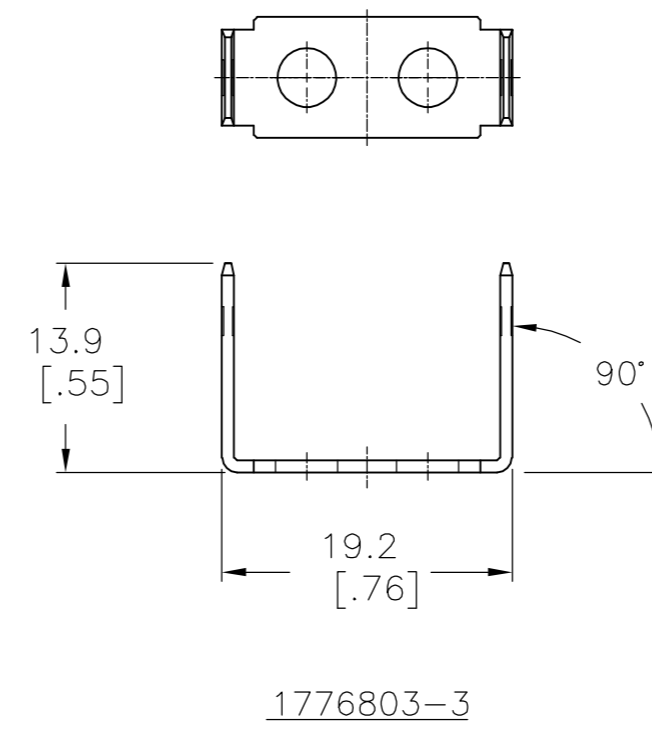
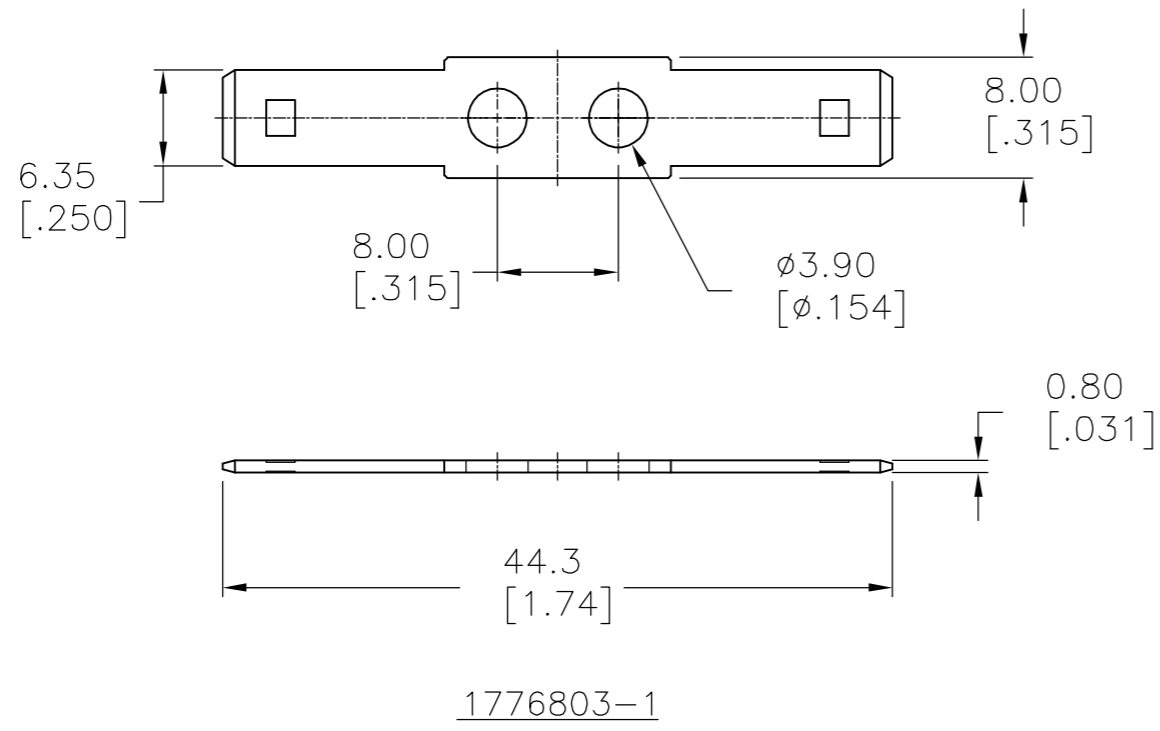


THIS DRAWING IS UNPUBLISHED. RELEASED FOR PUBLICATION
 © COPYRIGHT BY TYCO ELECTRONICS CORPORATION. ALL RIGHTS RESERVED.

LOC		DIST		REVISIONS			
P	LTR	DESCRIPTION		DATE	DWN	APVD	
	A1	REVISED PER ECO-06-17112		7/18/06	SS	SRY	

- 1. MATERIAL: 0.80[.032] THICK, BRASS TEMPERED.
- 2. FINISH: BRIGHT TIN PLATE.



DESCRIPTION	PART NUMBER
90°/45°, DBL SIDED	1776860-4
90°, DBL SIDED	1776860-3
45°, DBL SIDED	1776860-2
FLAT, DBL SIDED	1776860-1

THIS DRAWING IS A CONTROLLED DOCUMENT.		DWN	S SCHLEGEL	6/20/06	Tyco Electronics Corporation Harrisburg, PA 17105-3608
DIMENSIONS: mm [INCHES]		CHK	S YODER	6/20/06	
TOLERANCES UNLESS OTHERWISE SPECIFIED:		APVD	S YODER	6/20/06	
0 PLC ± - 1 PLC ± 0.3 2 PLC ± 0.25 3 PLC ± - 4 PLC ± - ANGLES ± 5°		PRODUCT SPEC	NAME		
MATERIAL		FINISH		WEIGHT	SIZE
-		-		-	A2
CUSTOMER DRAWING				SCALE	2:1
SHEET				1	OF 1
REV				A1	

Mouser Electronics

Authorized Distributor

Click to View Pricing, Inventory, Delivery & Lifecycle Information:

[TE Connectivity:](#)

[1776860-2](#)