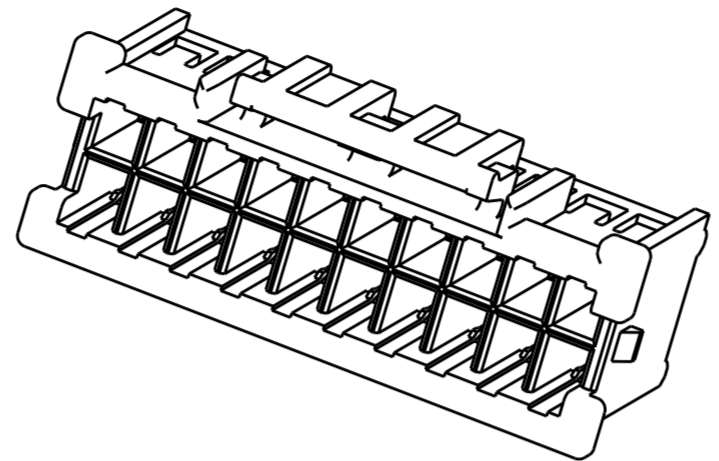
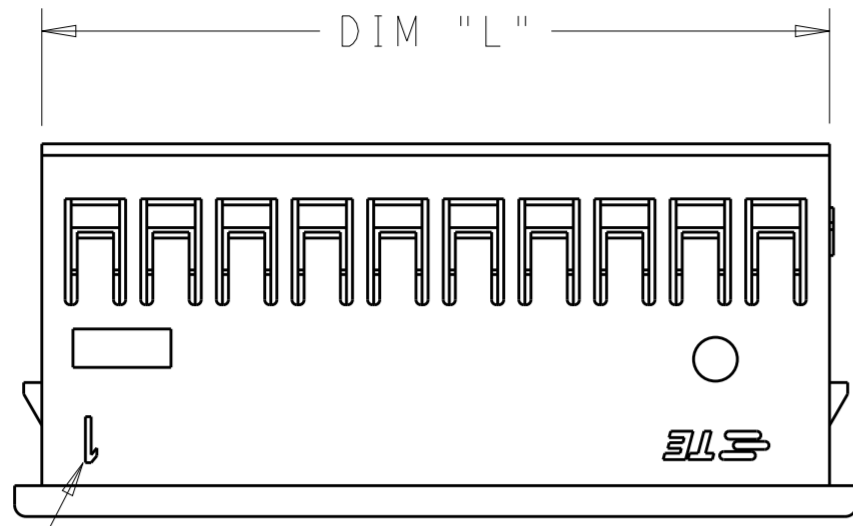
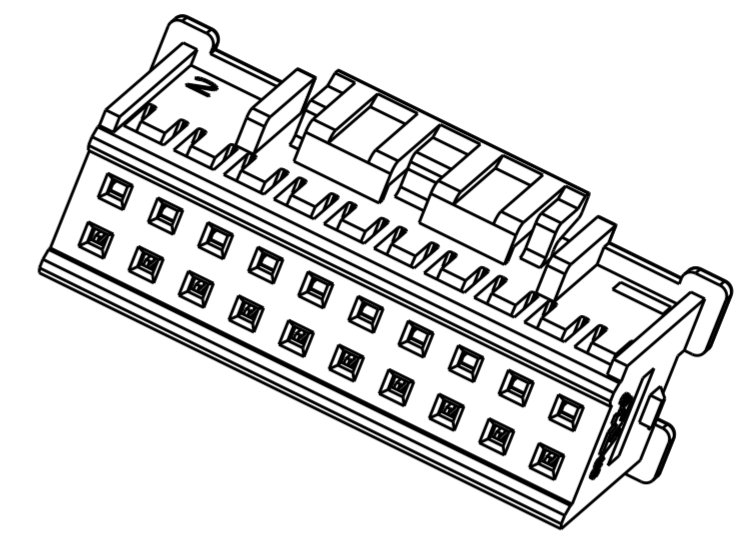


THIS DRAWING IS UNPUBLISHED. RELEASED FOR PUBLICATION 20
 © COPYRIGHT 20 BY - ALL RIGHTS RESERVED.

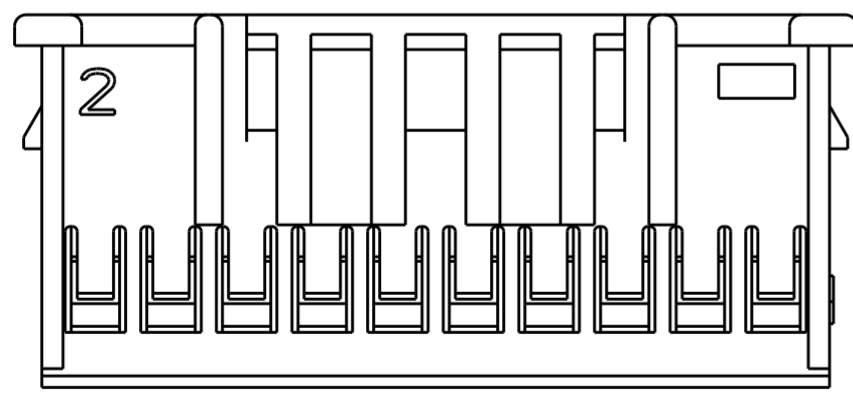
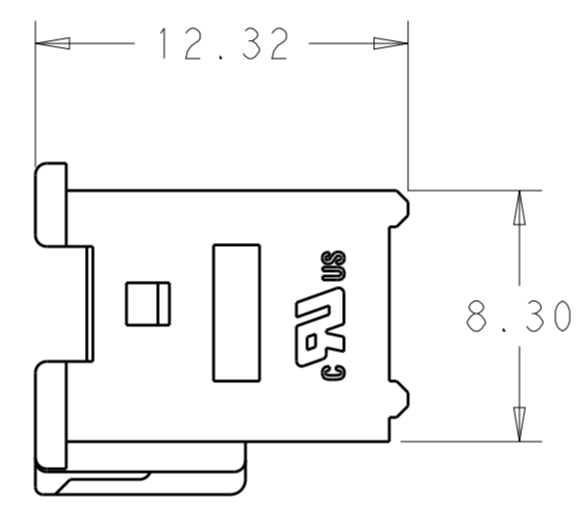
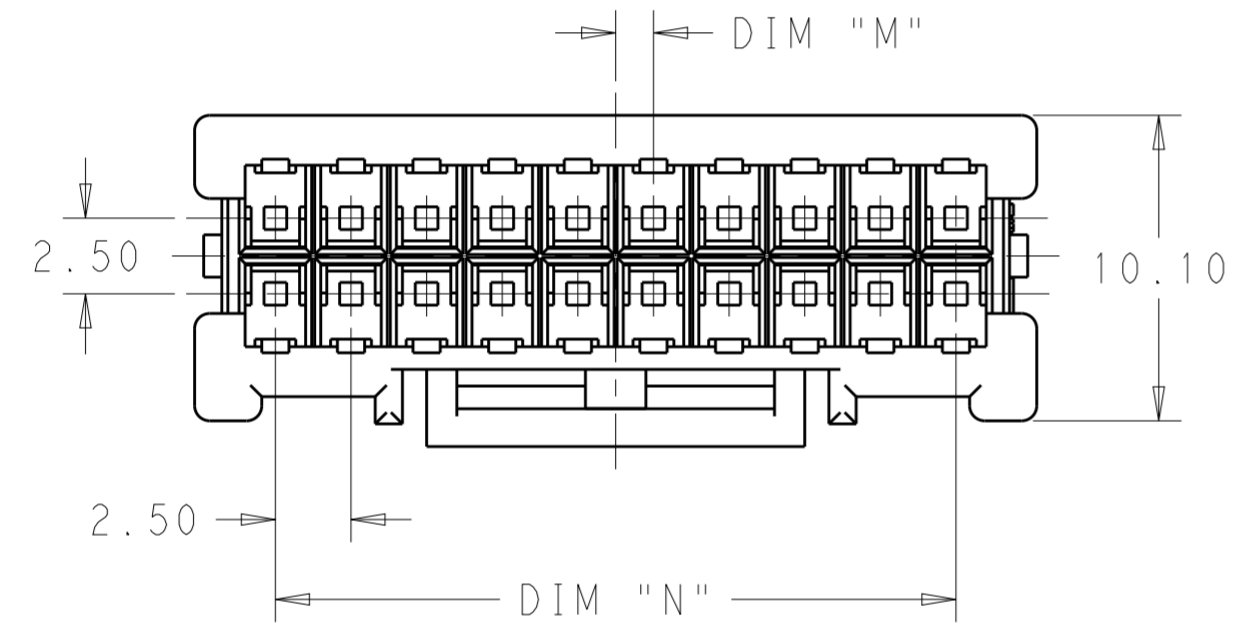
| REVISIONS | | | | | | | |
|-----------|------|---|-----|---------------------------|---------|-----|------|
| LOC | DIST | P | LTR | DESCRIPTION | DATE | DWN | APVD |
| - | - | B | | REVISED PER ECR-16-000965 | 04MAY16 | O.C | D.Z |



3D REAR VIEW
20 POSITION SHOWN



3D MATING FACE VIEW
20 POSITION SHOWN



1 MATERIAL: NYLON, UL94V-0, FLAME REDARDANT, COLOR:NATURAL.

2 PARTS TESTED TO IEC 60695-2-11 AND IS COMPLIANT TO IEC 60335-1.

3 HOUSING, MATERIAL MEETS MINIMUM GLOW WIRE FLAMMIBILITY INDEX OF 850°C PER IEC 60695-2-12 AND MINIMUM GLOW WIRE IGNITION TEMP OF 775°C PER IEC 60695-2-13.

4 SEE SHEET 2 FOR LATCH DESIGN ON THE DIFFERENT PART NUMBERS.

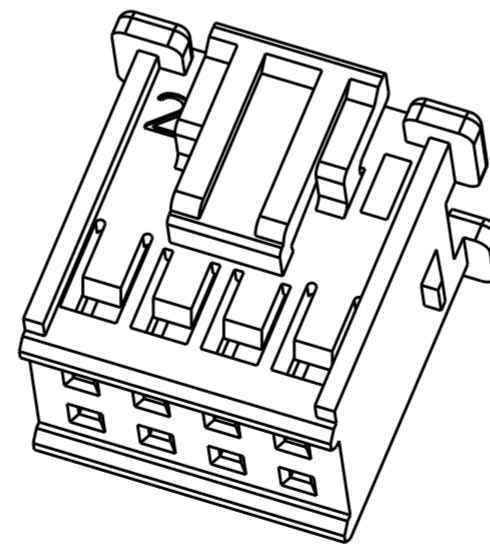
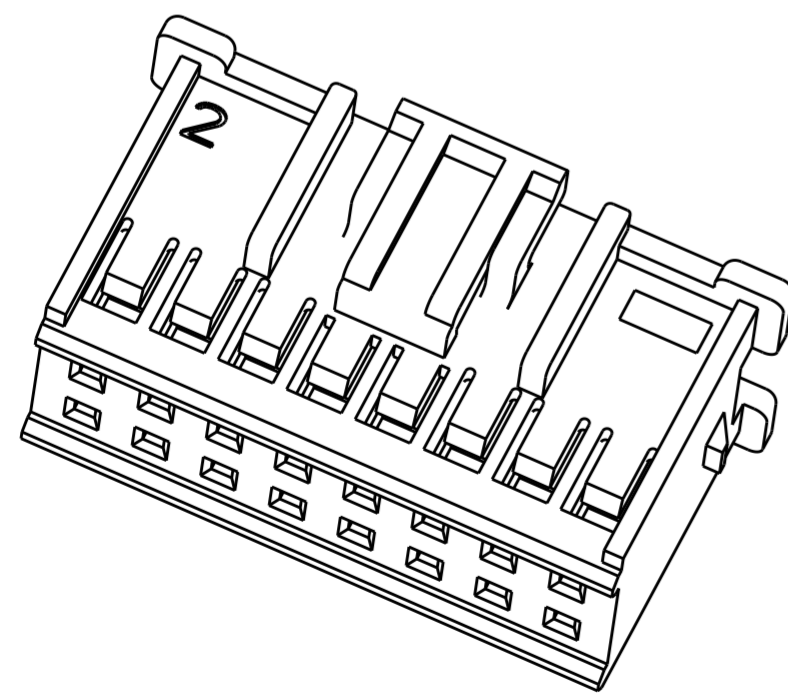
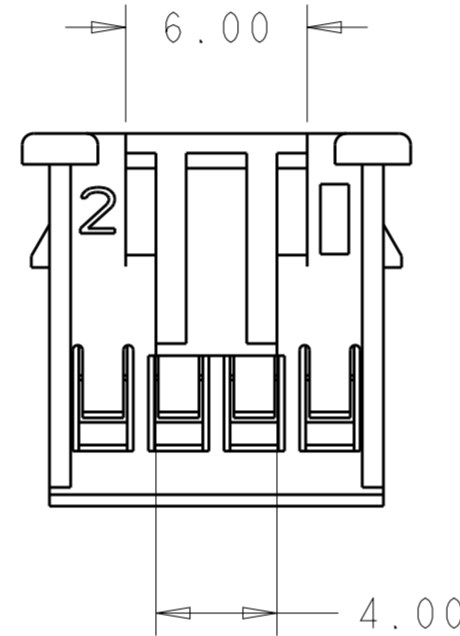
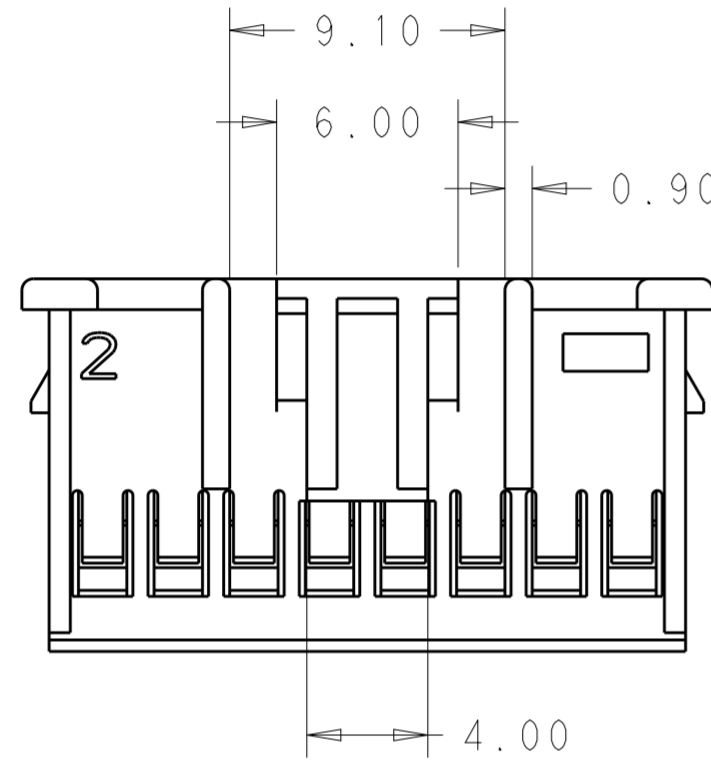
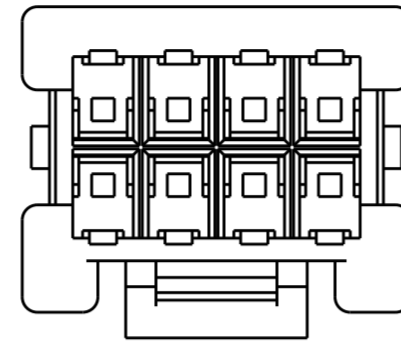
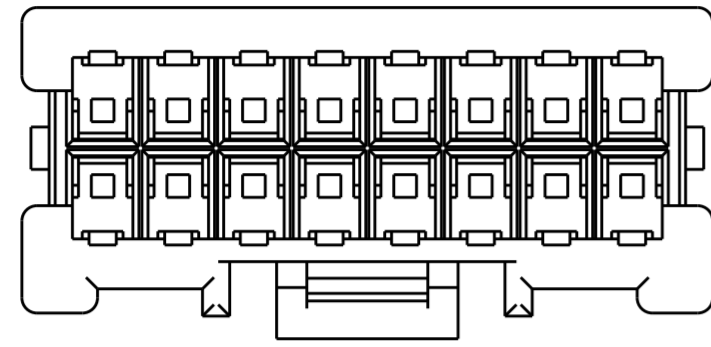
| 1.25 | 2 | 47.50 | 51.04 | 4-1969567-0 |
|---------|-----------------------|---------|---------|-------------|
| 0.00 | 2 | 45.00 | 48.54 | 3-1969567-8 |
| 1.25 | 2 | 42.50 | 46.04 | 3-1969567-6 |
| 0.00 | 2 | 40.00 | 43.54 | 3-1969567-4 |
| 1.25 | 2 | 37.50 | 41.04 | 3-1969567-2 |
| 0.00 | 2 | 35.00 | 38.54 | 3-1969567-0 |
| 1.25 | 2 | 32.50 | 36.04 | 2-1969567-8 |
| 0.00 | 2 | 30.00 | 33.54 | 2-1969567-6 |
| 1.25 | 2 | 27.50 | 31.04 | 2-1969567-4 |
| 0.00 | 2 | 25.00 | 28.54 | 2-1969567-2 |
| 1.25 | 2 | 22.50 | 26.04 | 2-1969567-0 |
| 0.00 | 2 | 20.00 | 23.54 | 1-1969567-8 |
| 1.25 | 1 | 17.50 | 21.04 | 1-1969567-6 |
| 0.00 | 1 | 15.00 | 18.54 | 1-1969567-4 |
| 1.25 | 1 | 12.50 | 16.04 | 1-1969567-2 |
| 0.00 | 1 | 10.00 | 13.54 | 1-1969567-0 |
| 1.25 | 1 | 7.50 | 11.04 | 1969567-8 |
| DIM "M" | NO. OF LATCH CUT-OUTS | DIM "N" | DIM "L" | PART NO. |

THIS DRAWING IS A CONTROLLED DOCUMENT.

| | | | |
|----------------|--|-------------------------------|--|
| DIMENSIONS: mm | TOLERANCES UNLESS OTHERWISE SPECIFIED: | DWN: JR RUTH 01OCT2012 | TE Connectivity |
| | 0 PLC ± | CHK: KURT RANDOLPH 01OCT2012 | |
| | 1 PLC ± | APVD: KURT RSNDOLPH 01OCT2012 | |
| | 2 PLC ±0.25 | PRODUCT SPEC: 108-2418 | |
| MATERIAL | FINISH | APPLIC. SPEC: 114-13315 | NAME: HOUSING, SOCKET, E.P. 2.5, DUAL ROW, GLOW WIRE |
| SEE NOTES | CUSTOMER DRAWING | WEIGHT: - | SIZE: A2 CAGE CODE: 00779 DRAWING NO: C-1969567 |
| | | | RESTRICTED TO: - |
| | | | SCALE: N/A SHEET 1 OF 2 REV B |

THIS DRAWING IS UNPUBLISHED. RELEASED FOR PUBLICATION 20
 © COPYRIGHT 20 BY - ALL RIGHTS RESERVED.

| LOC | DIST | REVISIONS | | | |
|-----|------|-------------|------|-----|------|
| P | LTR | DESCRIPTION | DATE | DWN | APVD |
| - | - | SEE SHEET 1 | - | - | - |
| | | | | | |
| | | | | | |



SINGLE LATCH DETAIL
 1-1969567-6 SHOWN HERE
 THESE DIM'S ARE FOR THE
 1-1969567-2 THRU -16

SINGLE LATCH DETAIL
 1969567-8 SHOWN HERE
 THESE DIM'S ARE FOR THE
 1969567-8 AND 1-1969567-0

| | | | | |
|--|--|---------------------------------|---|--------------------|
| THIS DRAWING IS A CONTROLLED DOCUMENT. | | DWN JR RUTH 01OCT2012 | TE Connectivity | |
| DIMENSIONS: mm | | CHK KURT RANDOLPH 01OCT2012 | | |
| TOLERANCES UNLESS OTHERWISE SPECIFIED: | | APVD KURT RSNDOLPH 01OCT2012 | NAME HOUSING, SOCKET, E.P. 2.5, DUAL ROW, GLOW WIRE | |
| | | PRODUCT SPEC 108-2418 | SIZE A200779 | |
| MATERIAL | | APPLICATION SPEC 114-13315 | DRAWING NO C-1969567 | |
| SEE NOTES | | WEIGHT - | RESTRICTED TO - | |
| SEE NOTES | | CUSTOMER DRAWING | SCALE N/A | SHEET 2 OF 2 REV B |

Mouser Electronics

Authorized Distributor

Click to View Pricing, Inventory, Delivery & Lifecycle Information:

[TE Connectivity:](#)

[2-1969567-8](#)