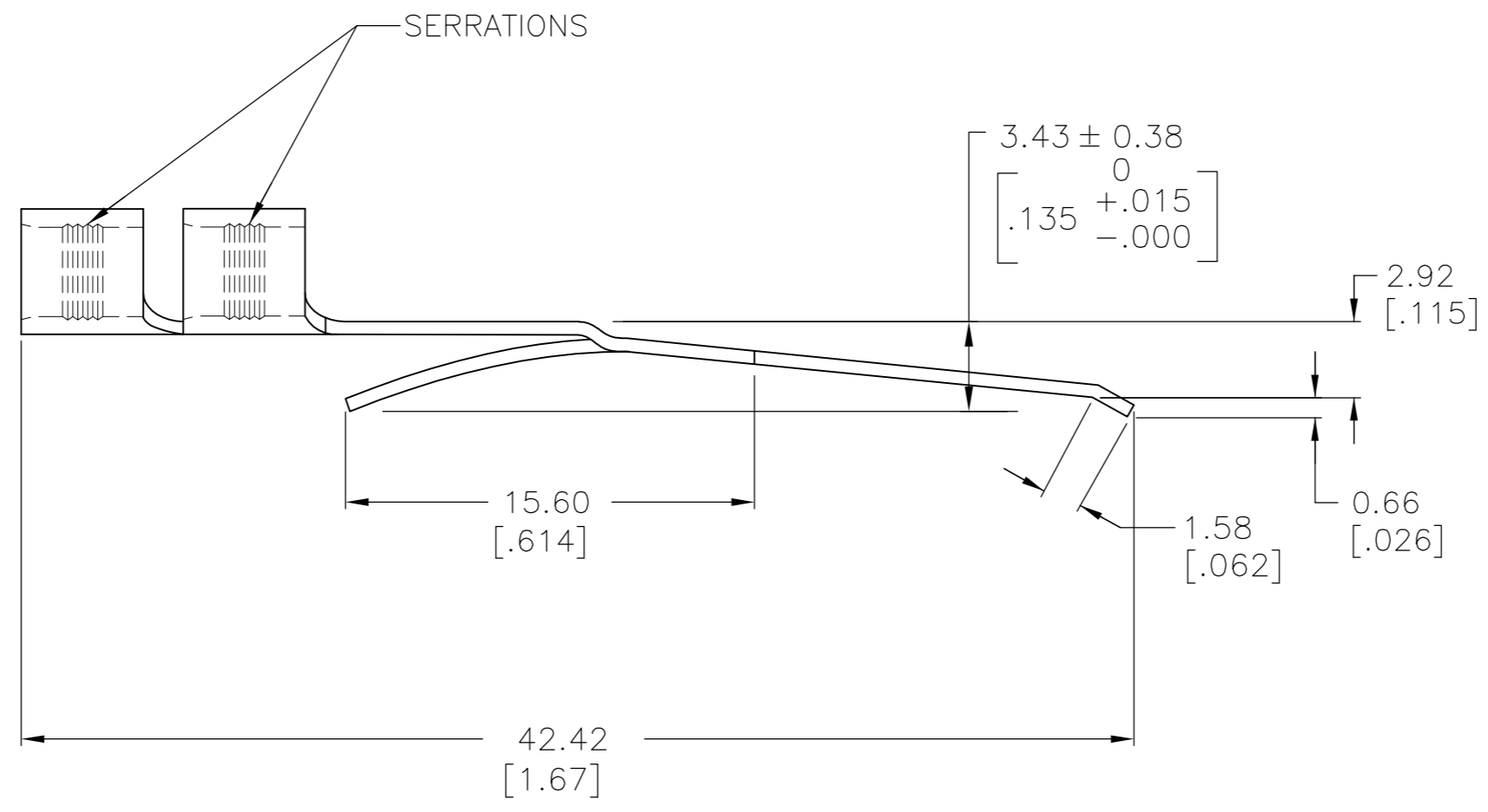
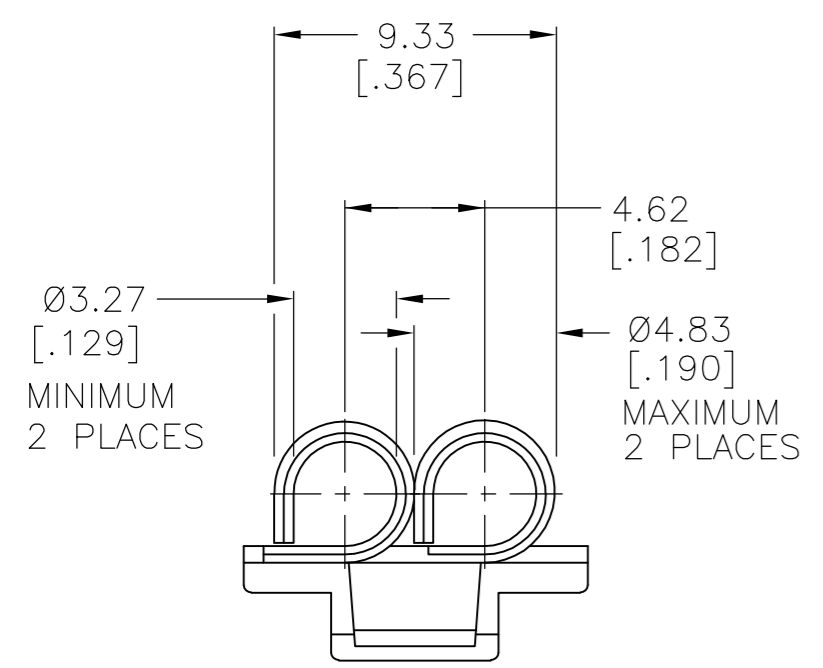
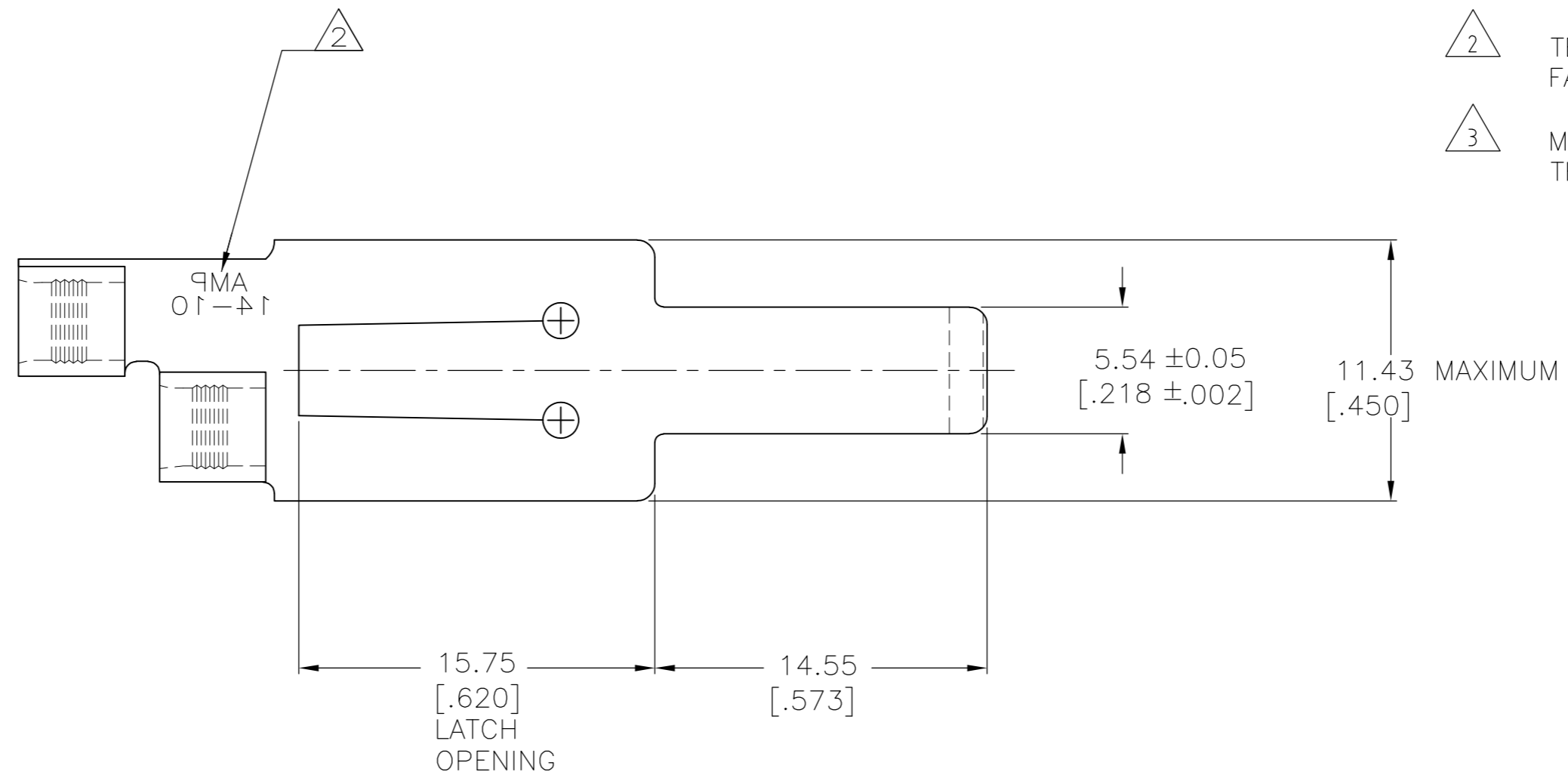


THIS DRAWING IS UNPUBLISHED. RELEASED FOR PUBLICATION  
 © COPYRIGHT - By - ALL RIGHTS RESERVED.

REVISIONS				
P	LTR	DESCRIPTION	DATE	APVD
E		REVISED PER ECO-16-005423	10AUG2016	NK DR

- 1 DIMENSIONS ARE NOMINAL UNLESS OTHERWISE SPECIFIED.
- 2 TEXT LOCATED APPROXIMATELY AS SHOWN ON FAR SIDE OF PART.
- 3 MATERIAL: PHOSPHOR BRONZE 0.635[.025] THICK, SILVER PLATED.



53889-1  
PART NO.

THIS DRAWING IS A CONTROLLED DOCUMENT.		DWN L. McEACHIN/UTA 25MAR96		
DIMENSIONS: mm [INCHES]		CHK N. JONES 26MAR96		
TOLERANCES UNLESS OTHERWISE SPECIFIED:		APVD P. RIEDL 5MAR96	NAME TERMINAL BODY, FLAG RELAY CONTACT, 14-10 AWG	
0 PLC ± 1 1 PLC ± 2 PLC ± 0.51[.02] 3 PLC ± 0.127[.005] 4 PLC ± - ANGLES ± - FINISH 3		PRODUCT SPEC APPLICATION SPEC	SIZE A2	CAGE CODE 00779
MATERIAL 3		WEIGHT -	DRAWING NO C=53889	RESTRICTED TO -
CUSTOMER DRAWING			SCALE 4:1	SHEET 1 of 1
			REV E	

# Mouser Electronics

Authorized Distributor

Click to View Pricing, Inventory, Delivery & Lifecycle Information:

[TE Connectivity:](#)

[53889-1](#)