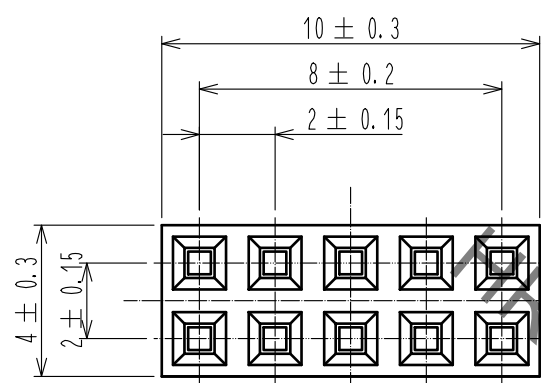
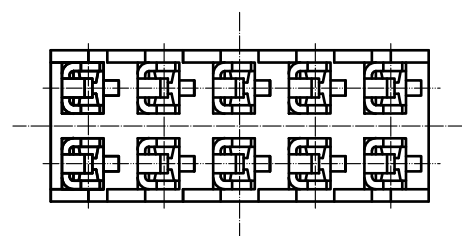
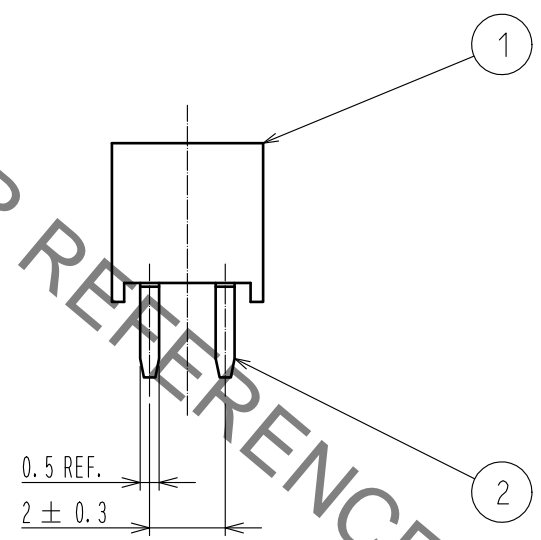
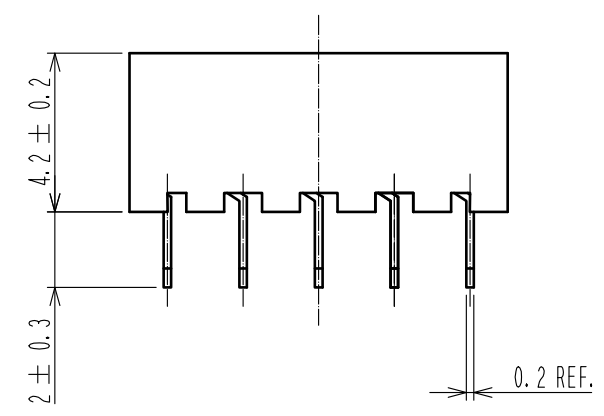
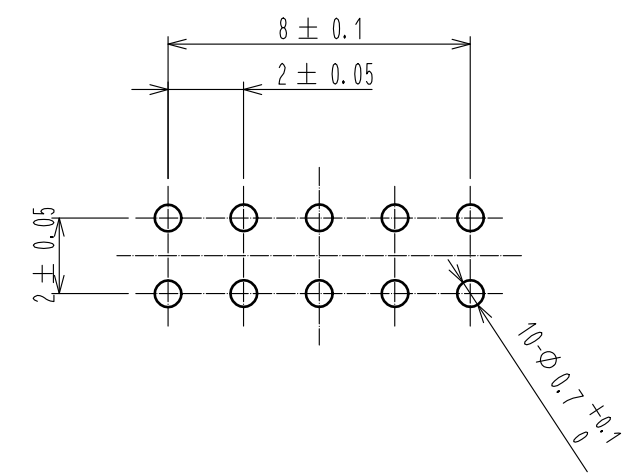


Oct.1.2020 Copyright 2020 HIROSE ELECTRIC CO., LTD. All Rights Reserved.  
 In case of consideration for using Automotive equipment / device which demand high reliability, kindly contact our sales window correspondents.



RECOMMENDED PC BOARD HOLE PATTERN



NOTES 1. THE CONTACT CUT SECTION IS UNPLATED.

|                                      |          |                         |           |                              |   |         |      |
|--------------------------------------|----------|-------------------------|-----------|------------------------------|---|---------|------|
| 1                                    | PBT      | BLACK. UL94V-0          | 2         | PHOSPHOR BRONZE              | CONTACT: GOLD PLATING 0.2#m MIN<br>DIP : TIN PLATING 1#m MIN<br>UNDER :NICKEL PLATING 1#m MIN |         |      |
| NO.                                  | MATERIAL | FINISH . REMARKS        | NO.       | MATERIAL                     | FINISH . REMARKS  |         |      |
| UNITS<br>mm                          |          | SCALE<br>5:1            | COUNT<br> | DESCRIPTION OF REVISIONS     | DESIGNED  | CHECKED | DATE |
| <b>HRS</b> HIROSE ELECTRIC CO., LTD. |          | APPROVED : HS. OKAWA    | 15.06.04  | DRAWING NO. EDC-081242-71-21 |   |         |      |
|                                      |          | CHECKED : HT. YAMAGUCHI | 15.06.04  | PART NO. A3C-10DA-2DSC(71)   |   |         |      |
|                                      |          | DESIGNED : MT. ITANO    | 15.06.04  | CODE NO. CL621-0534-5-71     |   |         |      |
|                                      |          | DRAWN : MT. ITANO       | 15.06.04  |                              |   |         |      |