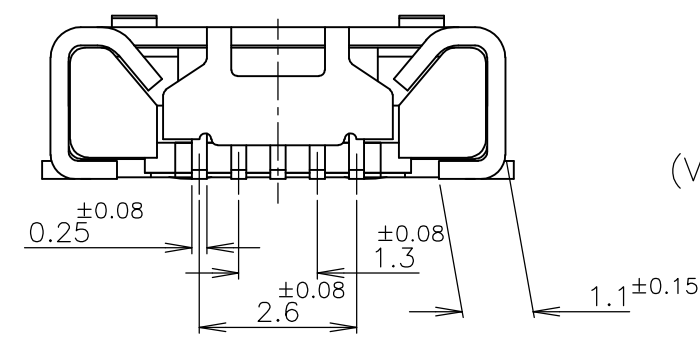
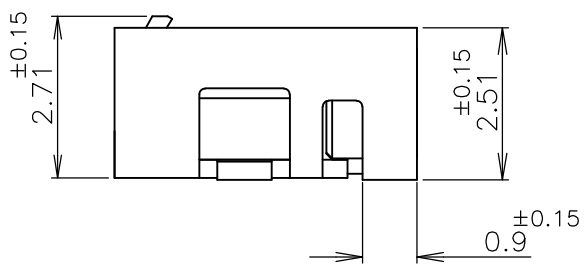
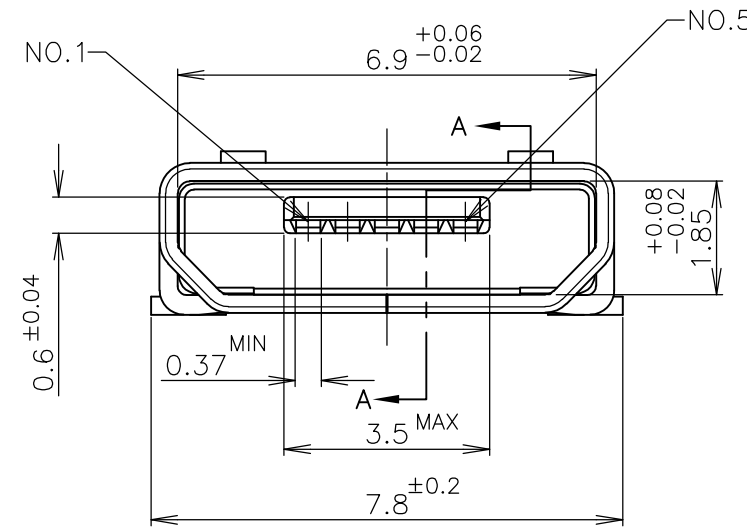
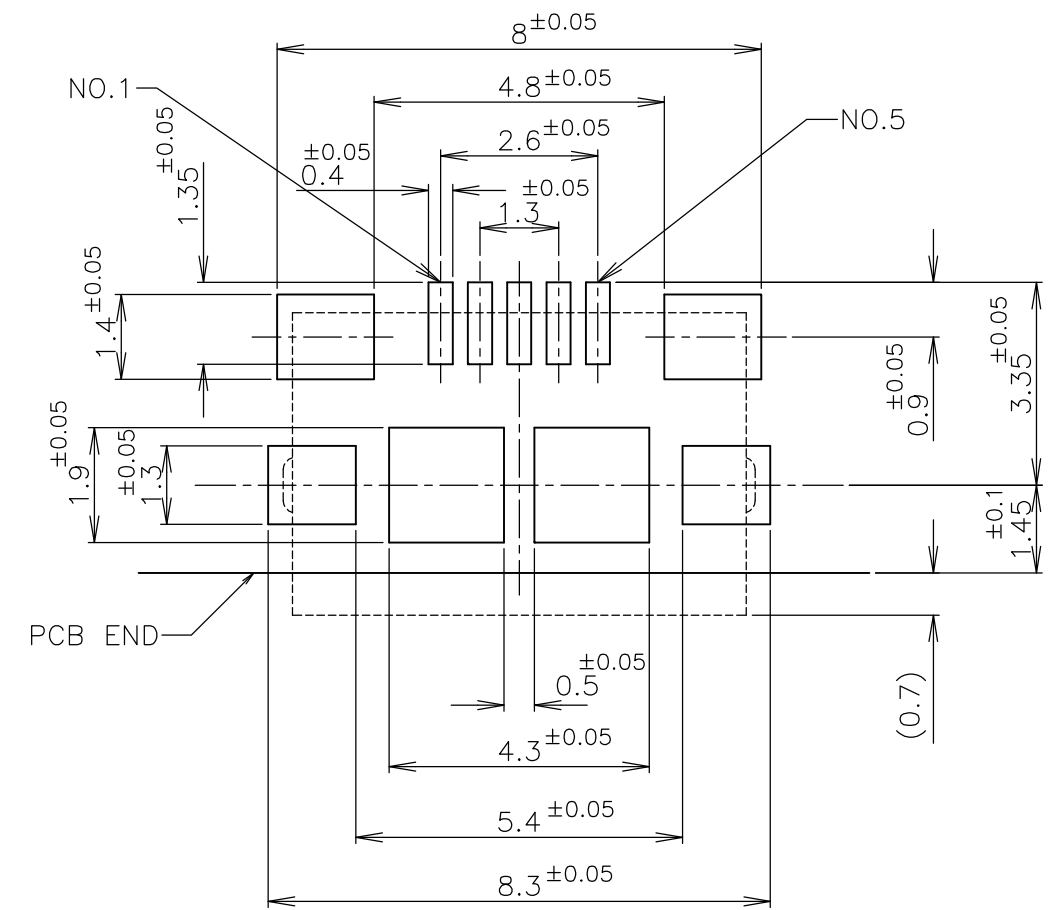
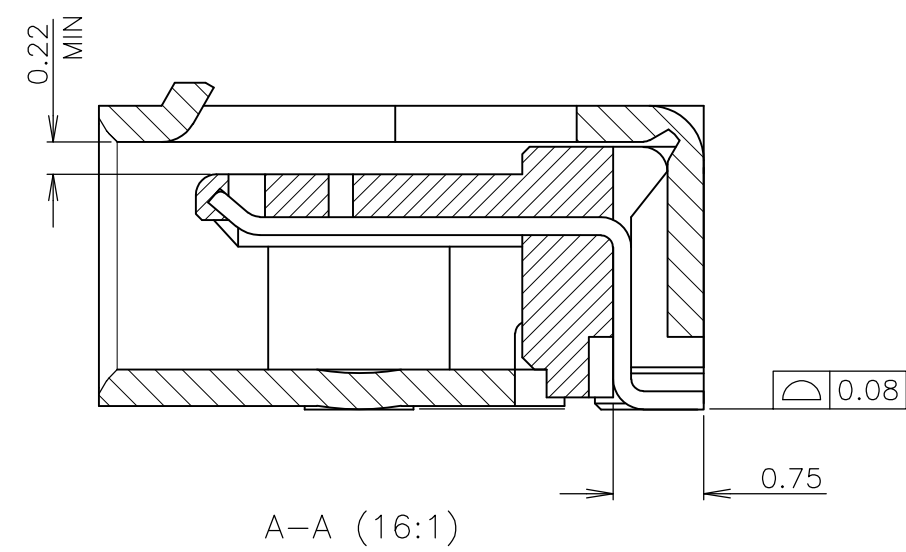
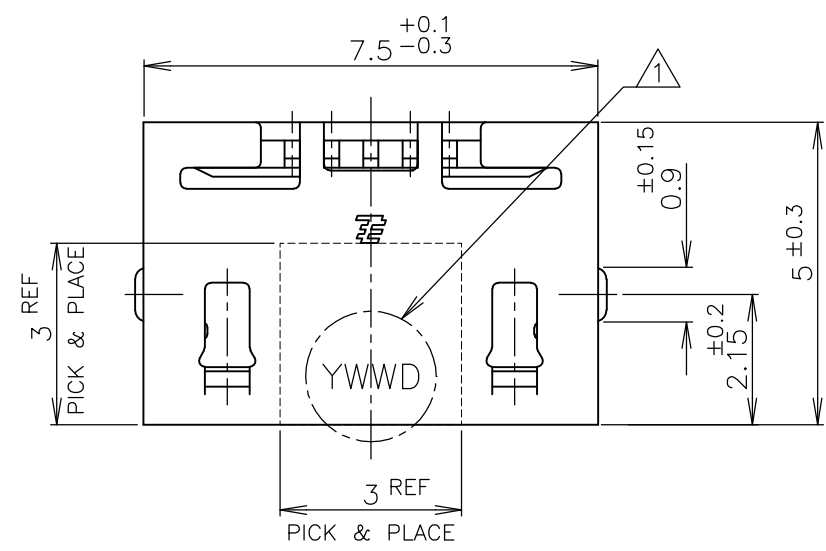


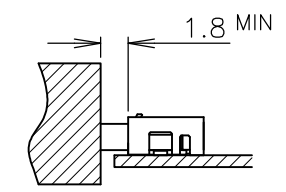
THIS DRAWING IS UNPUBLISHED. RELEASED FOR PUBLICATION NOV. 2011.
 © COPYRIGHT 2011 By Tyco Electronics Japan G.K. ALL RIGHTS RESERVED.

LOC	DIST	REVISIONS					
J	/	P	LTR	DESCRIPTION	DATE	DWN	APVD
		A	RELEASED		08NOV2011	C.O	T.K



PCB LAYOUT (REFERENCE)
(VIEWED FROM CONNECTOR MOUNT SIDE)

DISTANCE BETWEEN PLUG & RECE



(REFERENCE DIMENSION)

▲ LASER MARKING: YWWD
 DATE CODE (YEAR, WEEK, DAY)

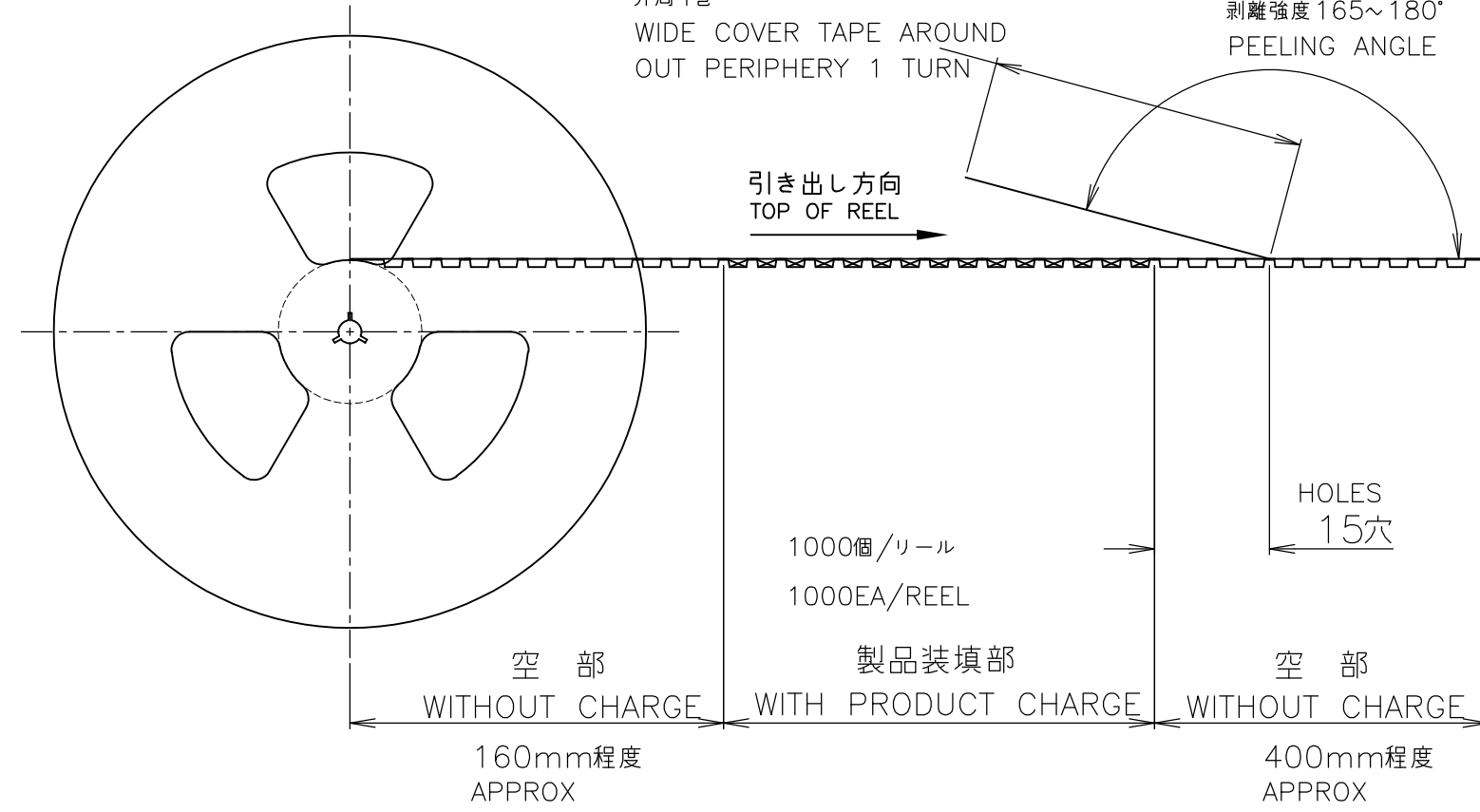
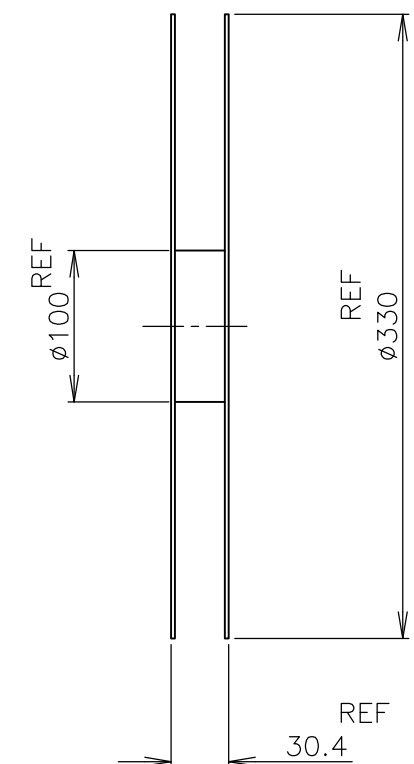
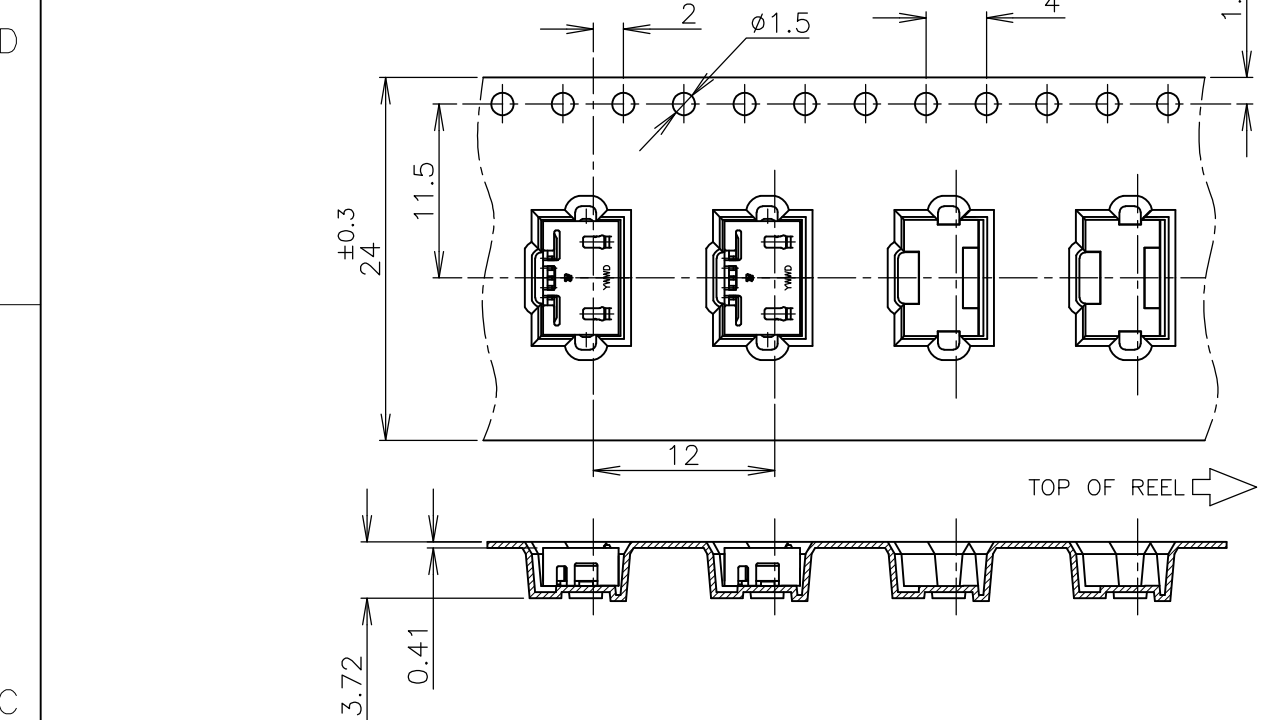
- OVERALL TOLERANCE: ±0.2
- MATERIAL HOUSING: THERMOPLASTIC RESIN UL94V-0
CONTACT: COPPER ALLOY
SHELL : STAINLESS STEEL (APPLIED GREASE AT LOCK POSITION)
- FINISH CONTACT: Ni UNDER PL
Au PL
SHELL : Ni UNDER PL
Sn PL
- PREVENTION OF WRENCHING
PLEASE HOLD THE TOP AND THE SIDE OF CONNECTOR BY THE CASE.
- PREVENTION OF HITTING DURING PLUG INSERTION
PLEASE SET THE INSERTION GUIDE ALONG THE MATING SURFACE.

2174507-2
PART NUMBER

THIS DRAWING IS A CONTROLLED DOCUMENT.		DWN C.OHASHI 07NOV2011	TE Connectivity		
DIMENSIONS: 単位: 耗 mm		CHK A.KUBO 08NOV2011			
TOLERANCES UNLESS OTHERWISE SPECIFIED: 一般公差		APVD T.KUSUHARA 08NOV2011	NAME 名称		
0 PLC ± -		PRODUCT SPEC 製品規格	MICRO USB		
1 PLC ± -		APPLICATION SPEC 取付適用規格	RECEPTACLE STANDARD 2DIP TYPE B		
2 PLC ± -		WEIGHT 0.22g	FLANGELESS		
3 PLC ± -		CUSTOMER DRAWING	SIZE A3	CAGE CODE 00779	DRAWING NO 番号 C-2174507
4 PLC ± -			SCALE 尺度 8:1	SHEET 1 OF 3	RESTRICTED TO -
ANGLES ± -					REV A
FINISH 仕上					

THIS DRAWING IS UNPUBLISHED. RELEASED FOR PUBLICATION APR , 2011.
 © COPYRIGHT 2011 By Tyco Electronics Japan G.K. ALL RIGHTS RESERVED.

LOC	DIST	REVISIONS					
J	/	P	LTR	DESCRIPTION	DATE	DWN	APVD
		-		SEE SHEET 1	-	-	-



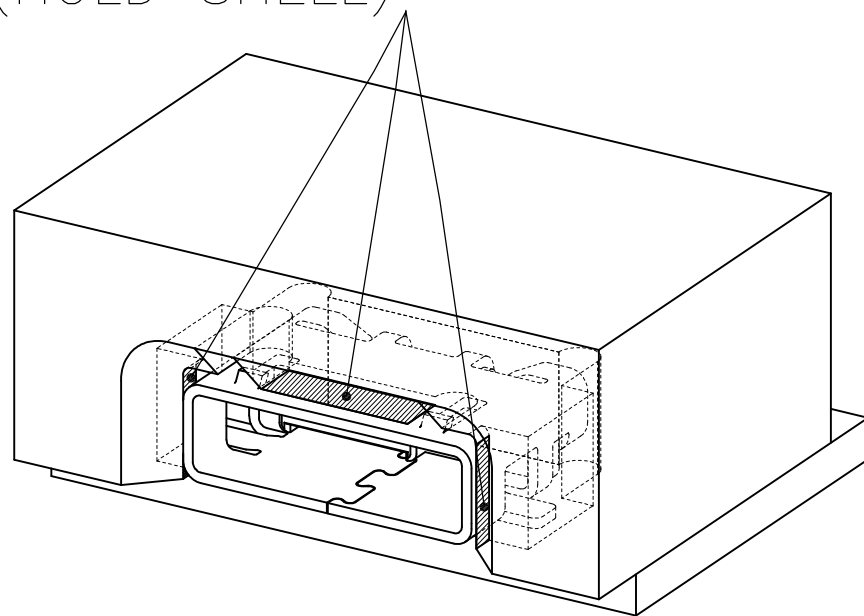
カバーテープリーダー部
 外周1巻
 WIDE COVER TAPE AROUND
 OUT PERIPHERY 1 TURN
 剥離強度 0.1-1.3N MAX (300±10mm/min)
 PEELING STRENGTH
 剥離強度 165~180°
 PEELING ANGLE

THIS DRAWING IS A CONTROLLED DOCUMENT.		DWN	STE TE Connectivity			
DIMENSIONS: 単位: 耗 mm		CHK				
TOLERANCES UNLESS OTHERWISE SPECIFIED: 一般公差		APVD	MICRO USB RECEPTACLE STANDARD 2DIP TYPE B FLANGELESS			
0 PLC ± -		PRODUCT SPEC 製品規格	SIZE	CAGE CODE	DRAWING NO 番号	RESTRICTED TO
1 PLC ± -		APPLICATION SPEC 取付適用規格	A3	00779	G-2174507	-
2 PLC ± -		WEIGHT	CUSTOMER DRAWING		SCALE 尺度 NTS	SHEET 2 OF 3
3 PLC ± -					REV A	
4 PLC ± -						
ANGLES ± -						
MATERIAL 材料						
FINISH 仕上						

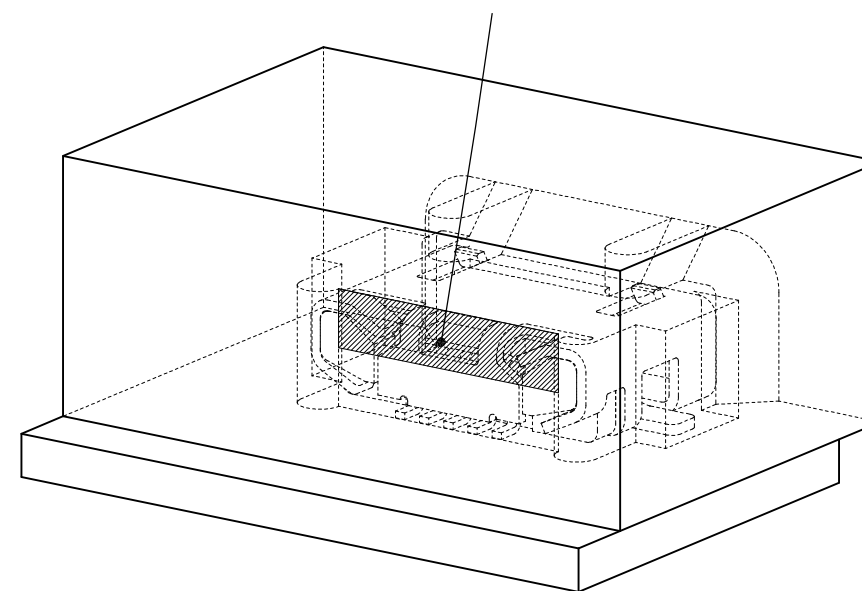
THIS DRAWING IS UNPUBLISHED. RELEASED FOR PUBLICATION APR , 2011.
 © COPYRIGHT 2011 By Tyco Electronics Japan G.K. ALL RIGHTS RESERVED.

LOC	DIST	REVISIONS 変更					
J	—	P	LTR	DESCRIPTION	DATE	DWN	APVD
		—		SEE SHEET 1	—	—	—

CONNECTOR INSERTION OPENING
(HOLD SHELL)



CONNECTOR BACK SIDE
(HOLD SHELL AND HOUSING)



GUIDE CASE FOR WRENCHING (REFERENCE)

THIS DRAWING IS A CONTROLLED DOCUMENT.		DWN	STE TE Connectivity			
DIMENSIONS: 単位: 耗 mm		CHK				
TOLERANCES UNLESS OTHERWISE SPECIFIED: 一般公差		APVD	NAME 名称			
0 PLC ± -		PRODUCT SPEC 製品規格	MICRO USB RECEPTACLE STANDARD 2DIP TYPE B FLANGELESS			
1 PLC ± -		APPLICATION SPEC 取付適用規格	SIZE	CAGE CODE	DRAWING NO 番号	RESTRICTED TO
2 PLC ± -		WEIGHT	A3	00779	G-2174507	—
3 PLC ± -		CUSTOMER DRAWING		SCALE 尺度	SHEET	REV
4 PLC ± -				NTS	3 OF 3	A
ANGLES ± -						
MATERIAL 材料						
FINISH 仕上						

Mouser Electronics

Authorized Distributor

Click to View Pricing, Inventory, Delivery & Lifecycle Information:

[TE Connectivity:](#)

[2174507-2](#)