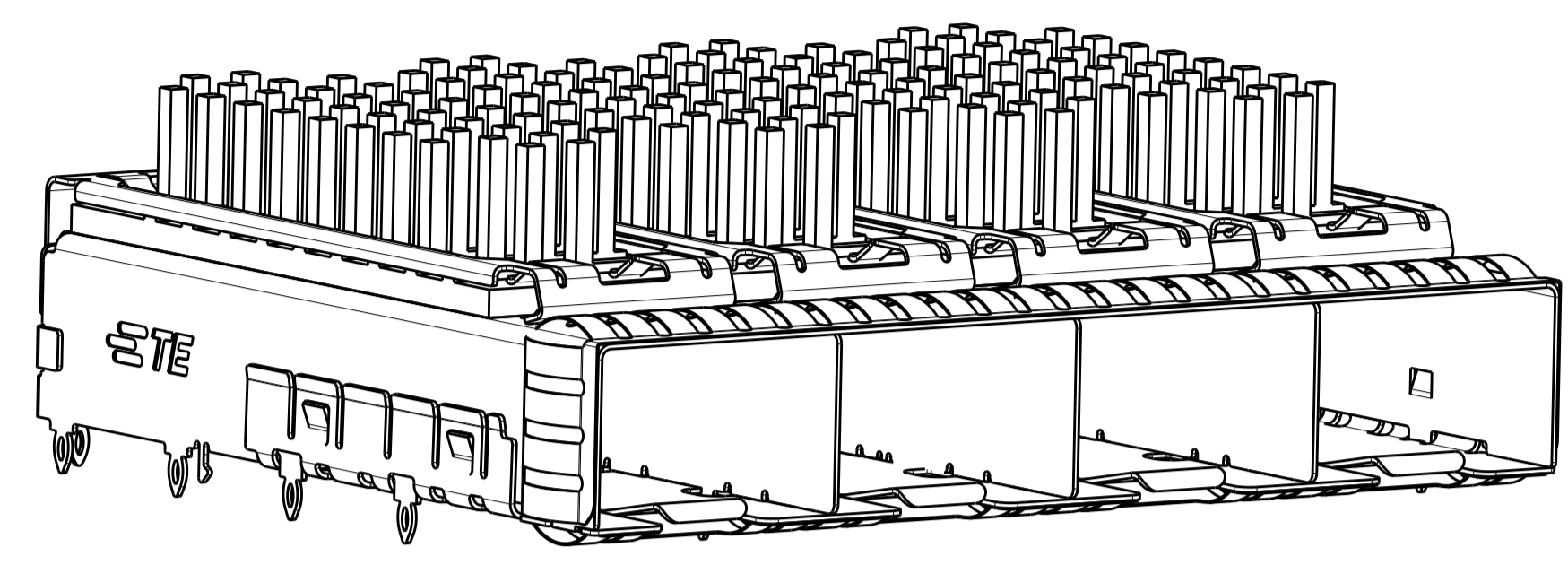
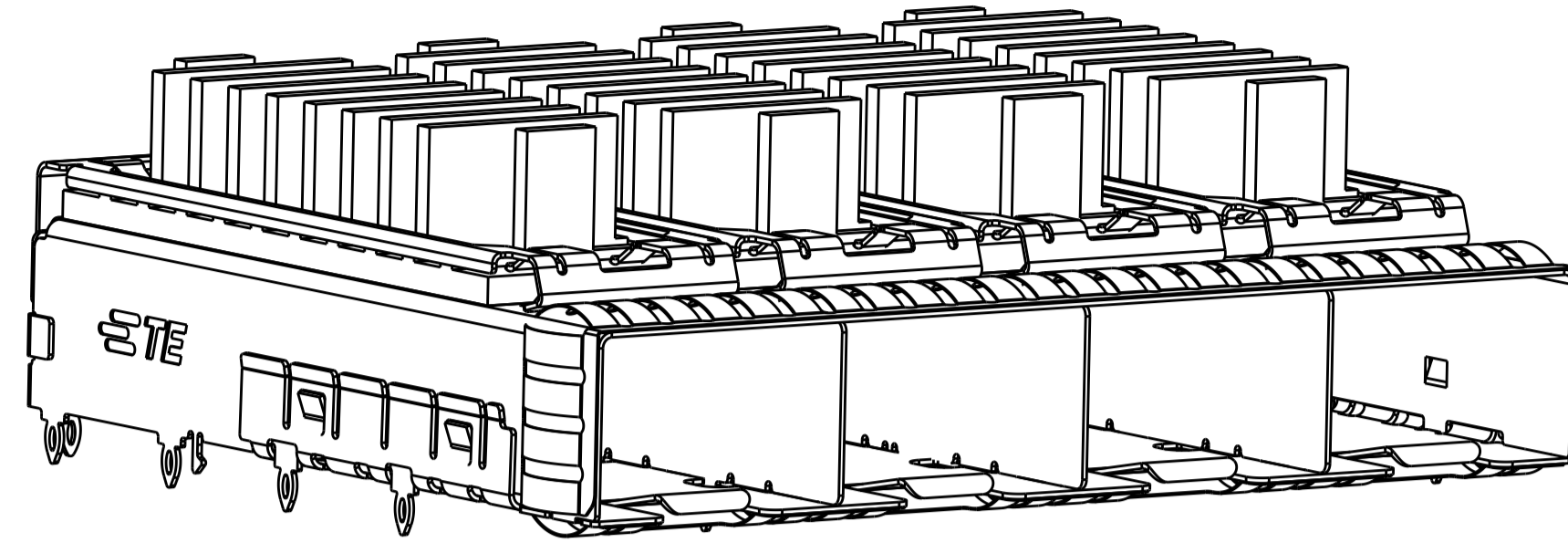


LOC	DIST	REVISIONS					
GP	00	P	LTN	DESCRIPTION	DATE	DWN	APVD
		A		RELEASED PER ECO-12-013192	06NOV2012	BMM	MRS
		A1		RELEASED PER ECO-13-014600	11SEP2013	PP	SH
		A3		RELEASED PER ECO-15-006578	20APR2015	PP	SH

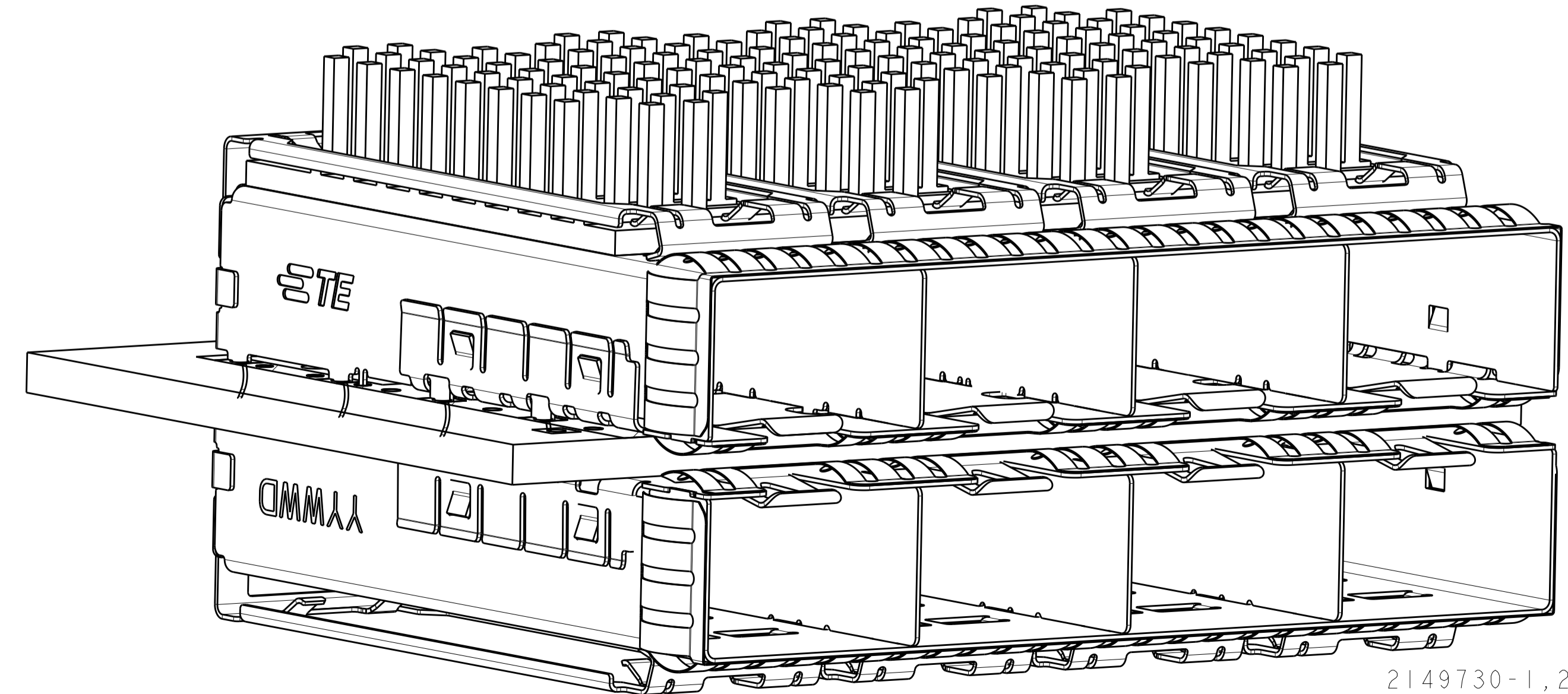
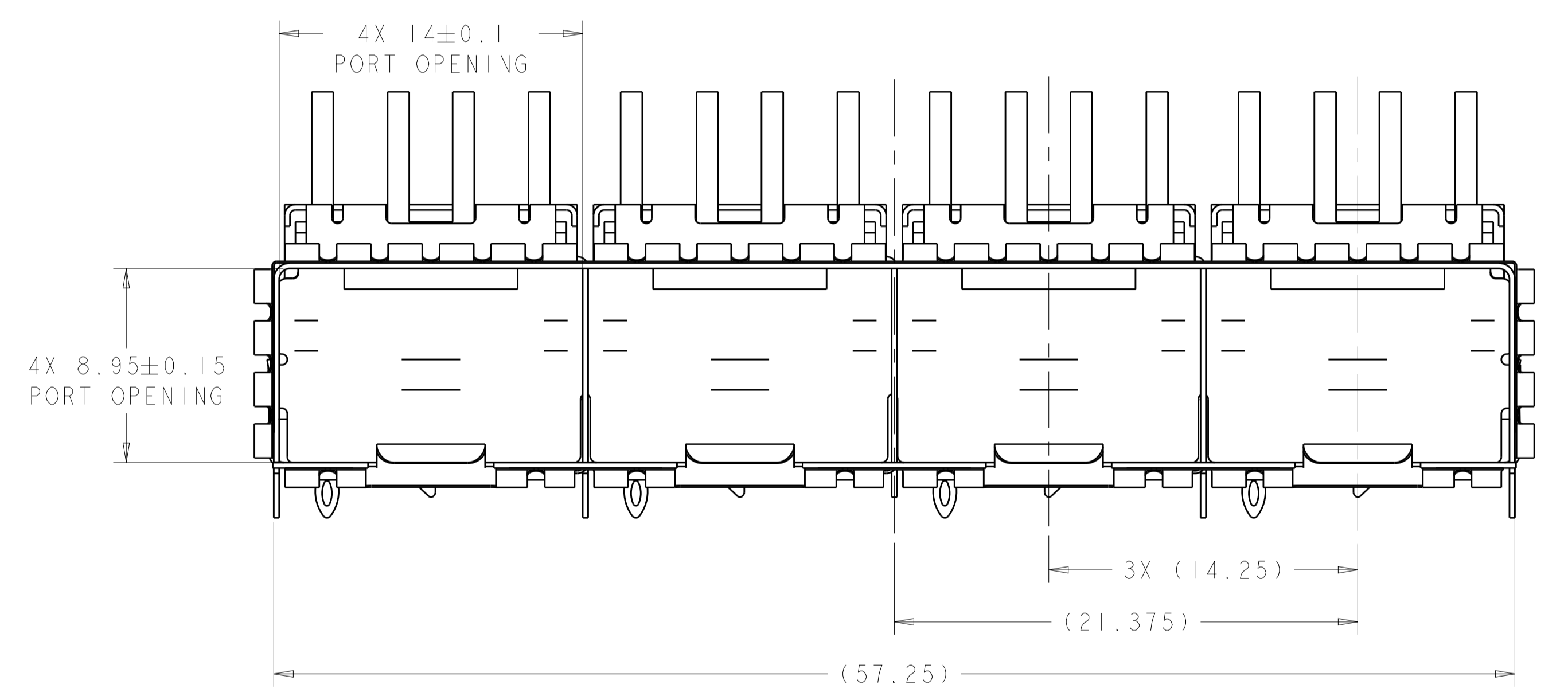
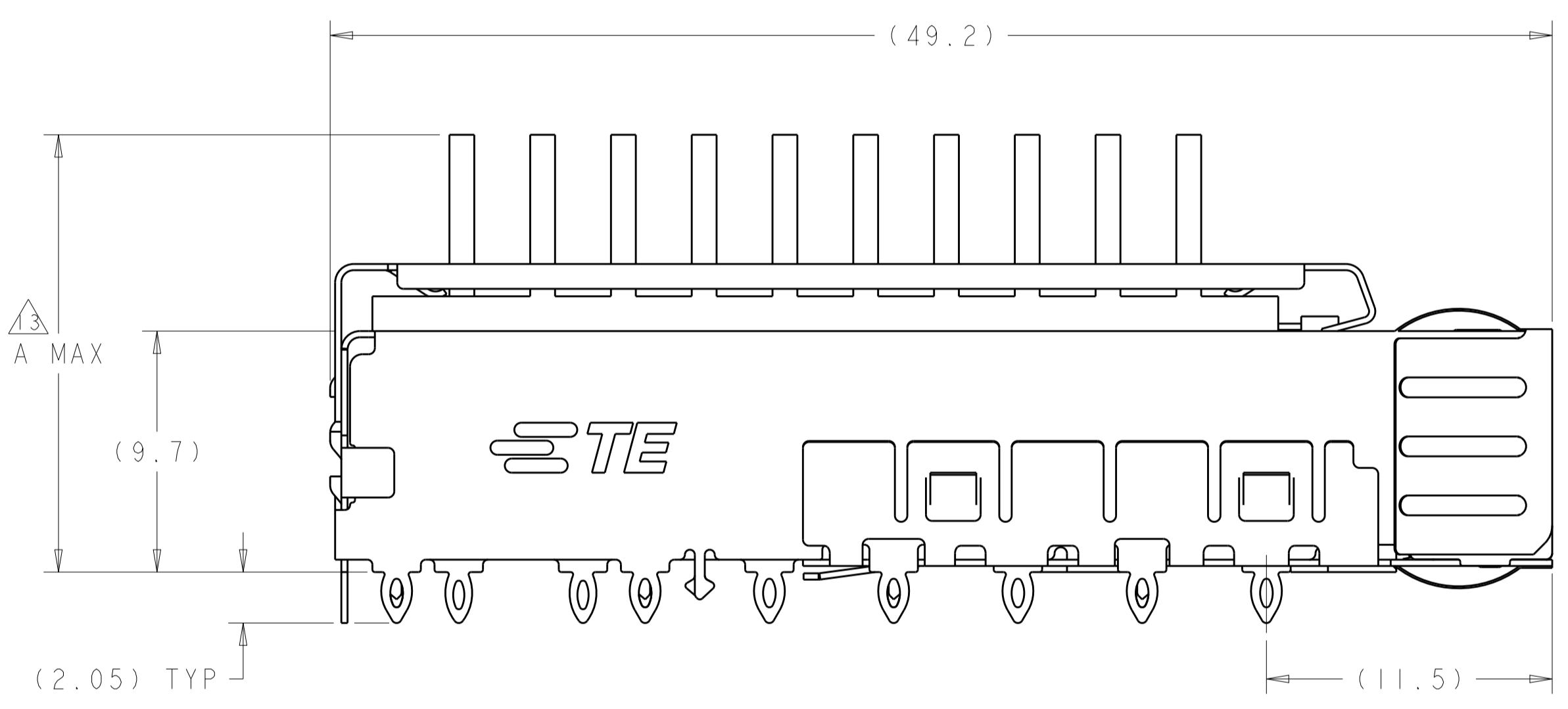


2149730-1,2,3,4,5  
 FINISHED ASSEMBLY WITH  
 PIN TYPE HEAT SINK



2149730-6,7,8,9,10  
 FINISHED ASSEMBLY WITH  
 FIN TYPE HEAT SINK

- 1. MATERIAL:  
 CAGE ASSEMBLY: 0.25mm THICK NICKEL SILVER ALLOY  
 HEATSINK CLIP: STAINLESS STEEL  
 HEATSINK: ALUMINUM
- 2. FINISH:  
 EMI SPRINGS: MINIMUM OF 0.8um TIN PLATE OVER A MINIMUM OF 0.8um NICKEL UNDERPLATE.  
 NON-PLATED EDGES PERMISSIBLE.  
 HEATSINK: ELECTROLESS NICKEL  
 HEATSINK CLIP: PASSIVATE
- 3. PADS AND VIAS CHASSIS GROUND.
- 4. DATUM AND BASIC DIMENSION ESTABLISHED BY CUSTOMER.
- 5. MATES WITH SFP MSA COMPLIANT TRANSCEIVERS.
- 6. INTERPRETATION OF DATUM REFERENCE FRAME IN ACCORDANCE WITH SECT 4.4.1.1 OF ASME Y14.5M-1994.
- 7. REFERENCE APPLICATION SPEC. 114-13120, HOLE A, FOR RECOMMENDED DRILL HOLE DIAMETER AND PLATING THICKNESS.
- 8. REFERENCE APPLICATION SPEC. 114-13120, HOLE B, FOR RECOMMENDED DRILL HOLE DIAMETER AND PLATING THICKNESS.
- 9. HOLE PATTERN REPEATS FOR EACH PORT. SPACING BETWEEN PORTS IS 14.25mm.
- 10. MINIMUM PC BOARD THICKNESS:  
 SINGLE SIDED = 1.50mm  
 DOUBLE SIDED = 2.25mm
- 11. CERTAIN MATING TRANSCEIVERS MAY REQUIRE ADDITIONAL PCB THICKNESS THAT WOULD BE DETERMINED BY THE CUSTOMER.
- 12. PRODUCT COMPLIES WITH SPECIFICATION SFF-8433 IMPROVED PLUGGABLE FORM FACTOR FOR SFP+ GANGED CAGES.
- 13. DIMENSION APPLIES PRIOR TO INSERTION OF SFP MODULE



2149730-1,2,3,4,5  
 MOUNTED BELLY TO BELLY ON PCB  
 SCALE 4:1

FIN TYPE	W/ INSULATING TAPE	22.5	NETWORKING, TALL	2149730-10
FIN TYPE	W/O INSULATING TAPE	22.5	NETWORKING, TALL	2149730-9
FIN TYPE	W/O INSULATING TAPE	15.5	SAN	2149730-8
FIN TYPE	W/O INSULATING TAPE	13.2	PCI	2149730-7
FIN TYPE	W/O INSULATING TAPE	18.1	NETWORKING, SHORT	2149730-6
PIN TYPE	W/ INSULATING TAPE	22.5	NETWORKING, TALL	2149730-5
PIN TYPE	W/O INSULATING TAPE	22.5	NETWORKING, TALL	2149730-4
PIN TYPE	W/O INSULATING TAPE	15.5	SAN	2149730-3
PIN TYPE	W/O INSULATING TAPE	13.2	PCI	2149730-2
PIN TYPE	W/O INSULATING TAPE	18.1	NETWORKING, SHORT	2149730-1
HEAT SINK TYPE	DESCRIPTION	A MAX	APPLICATION	PART NUMBER

THIS DRAWING IS A CONTROLLED DOCUMENT. DWN: M. SCHMITT 23AUG2010  
 CHK: M. SCHMITT 23AUG2010  
 APVD: B. WERTZ 23AUG2010

DIMENSIONS: mm  
 TOLERANCES UNLESS OTHERWISE SPECIFIED:  
 0 PLC ±0.1  
 1 PLC ±0.1  
 2 PLC ±0.1  
 3 PLC ±0.1  
 4 PLC ±0.1  
 ANGLES ±1°

MATERIAL: FINISH:

Customer Drawing

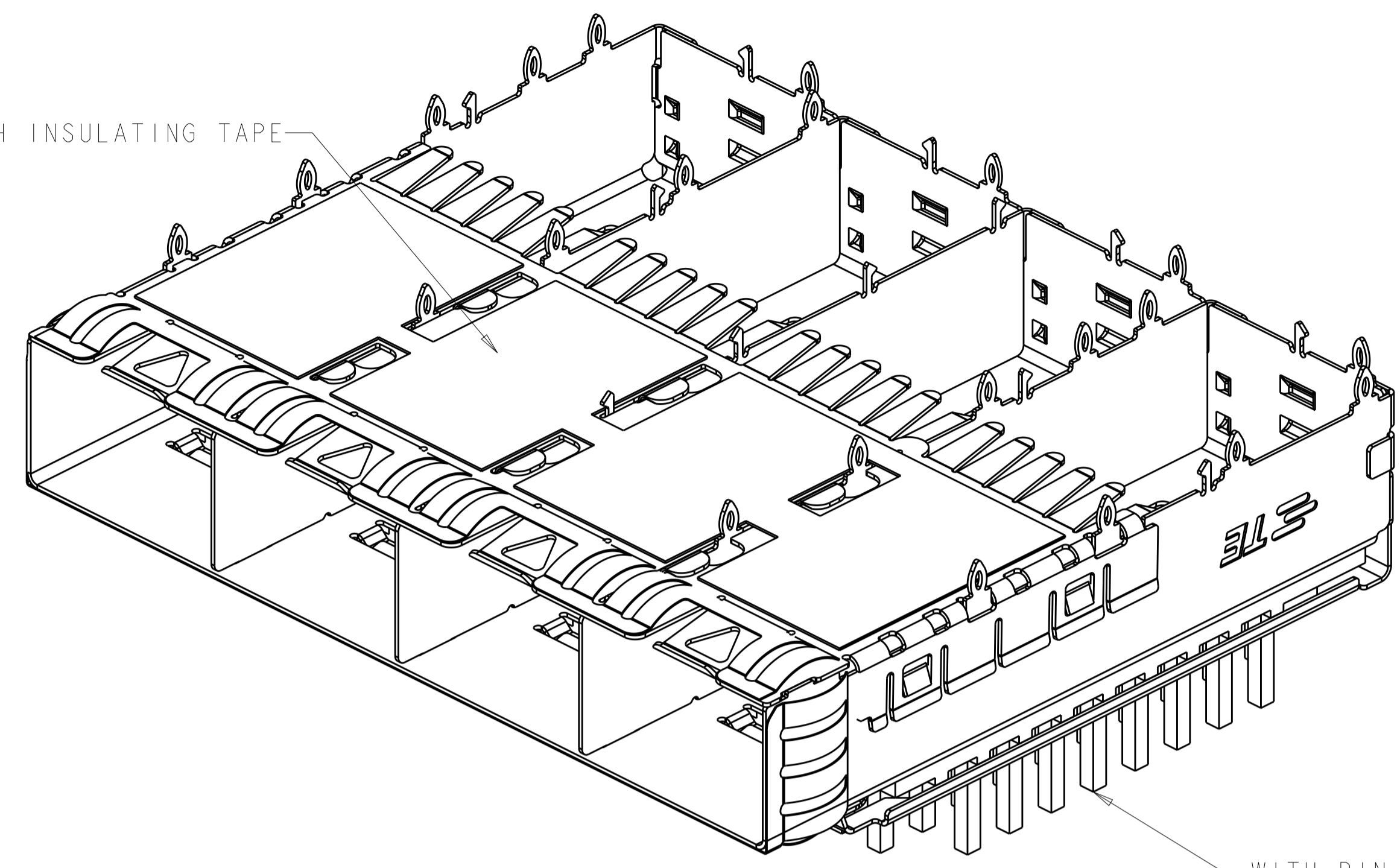
NAME: SFP+ ENHANCED 1X4 CAGE ASSEMBLY PRESS FIT, EXTERNAL EMI SPRINGS WITH HEATSINK  
 PRODUCT SPEC: 108-2364  
 APPLICATION SPEC: 114-13120  
 WEIGHT: -

SIZE: A1  
 CAGE CODE: 2149730  
 DRAWING NO: 100779

RESTRICTED TO: -  
 SCALE: 5:1 SHEET 1 OF 7 REV: A3

LOC	DIST	REVISIONS					
GP	00	P	LYR	DESCRIPTION	DATE	OWN	APVD
		-		SEE SHEET 1			

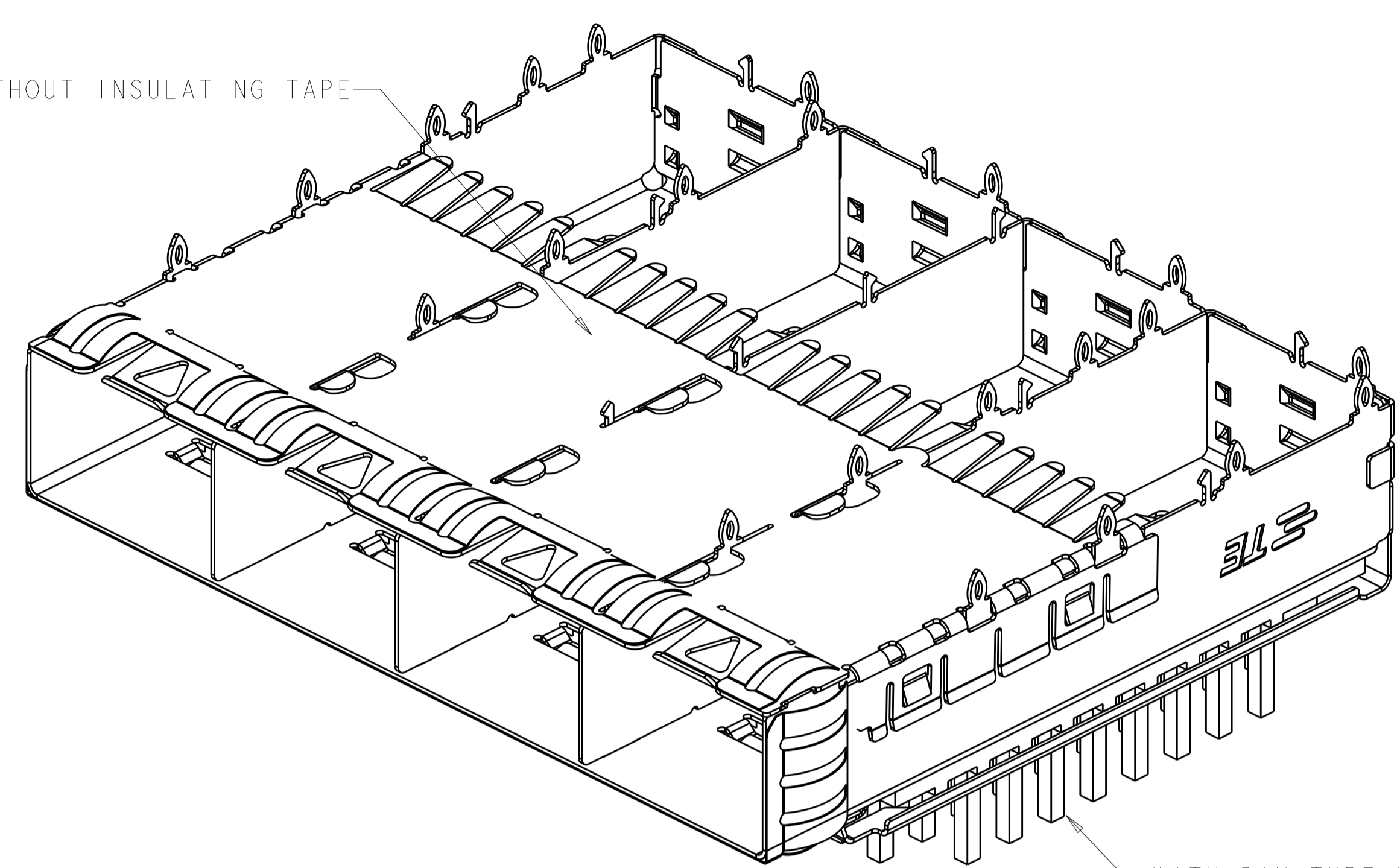
WITH INSULATING TAPE



WITH PIN TYPE HEAT SINK

2149730-5 AS SHOWN WITH INSULATING TAPE, WITH PIN TYPE HEAT SINK

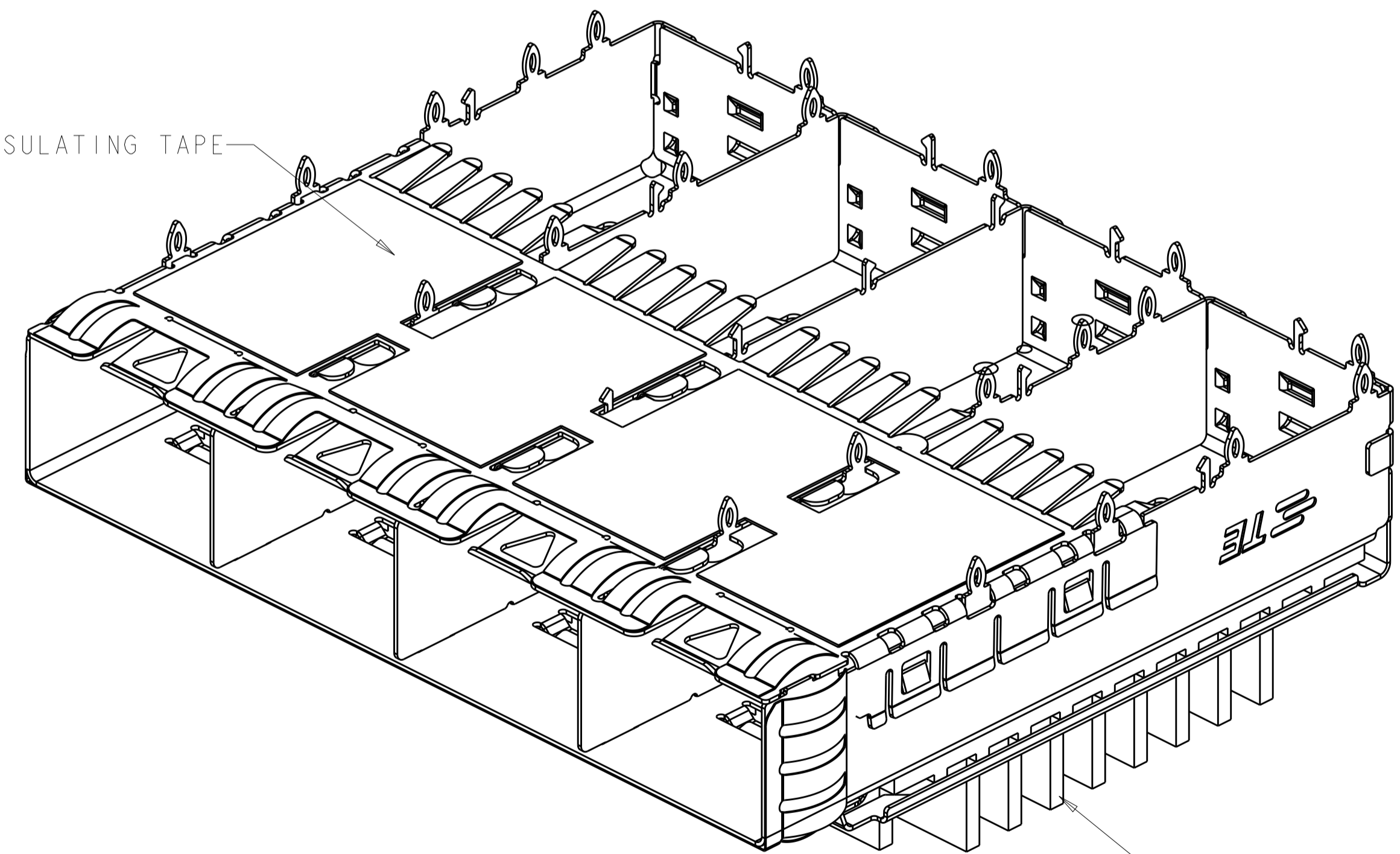
WITHOUT INSULATING TAPE



WITH PIN TYPE HEAT SINK

2149730-1,2,3,4 AS SHOWN WITHOUT INSULATING TAPE, WITH PIN TYPE HEAT SINK

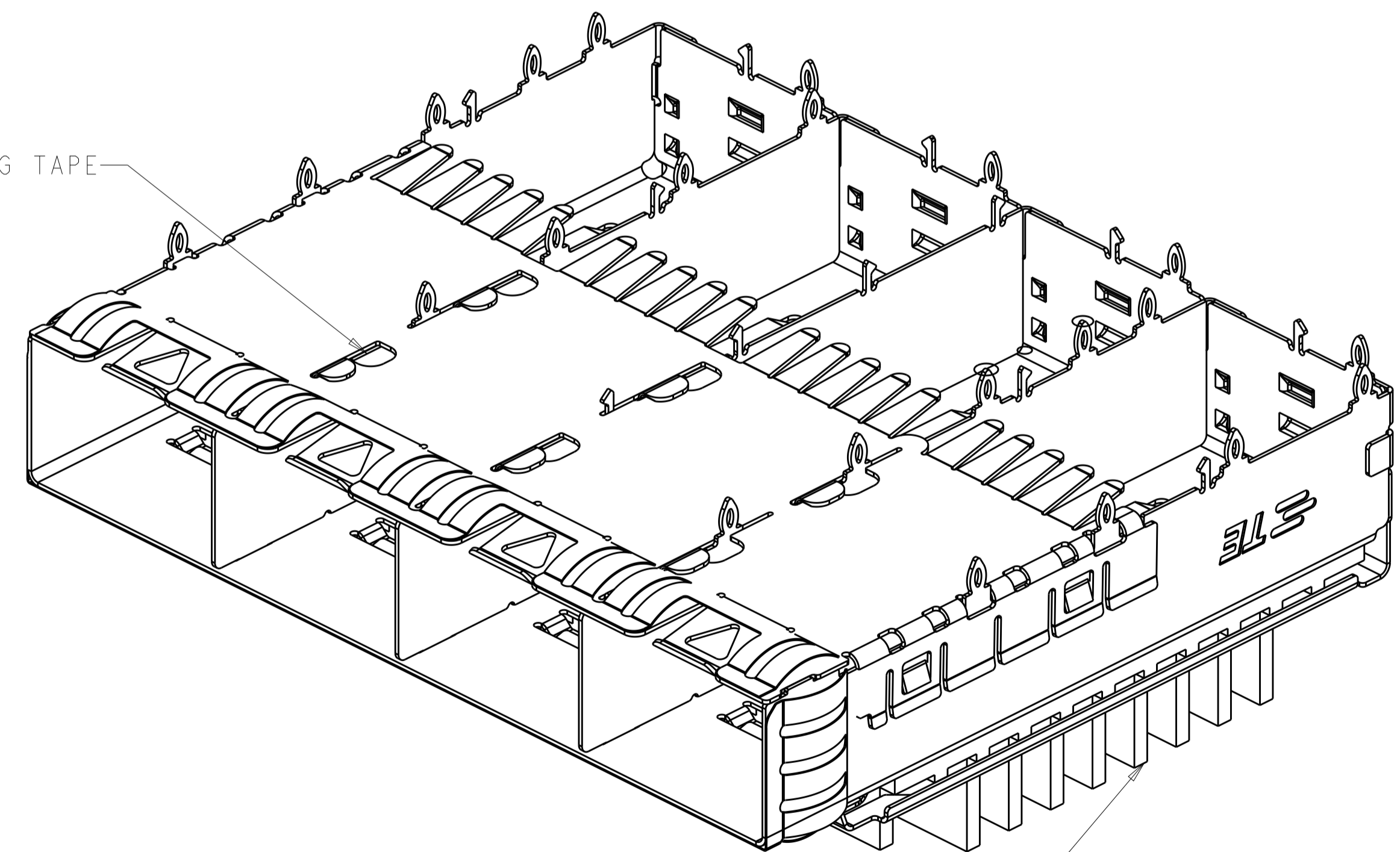
WITH INSULATING TAPE



WITH FIN TYPE HEAT SINK

2149730-10 AS SHOWN WITH INSULATING TAPE, WITH FIN TYPE HEAT SINK

WITHOUT INSULATING TAPE

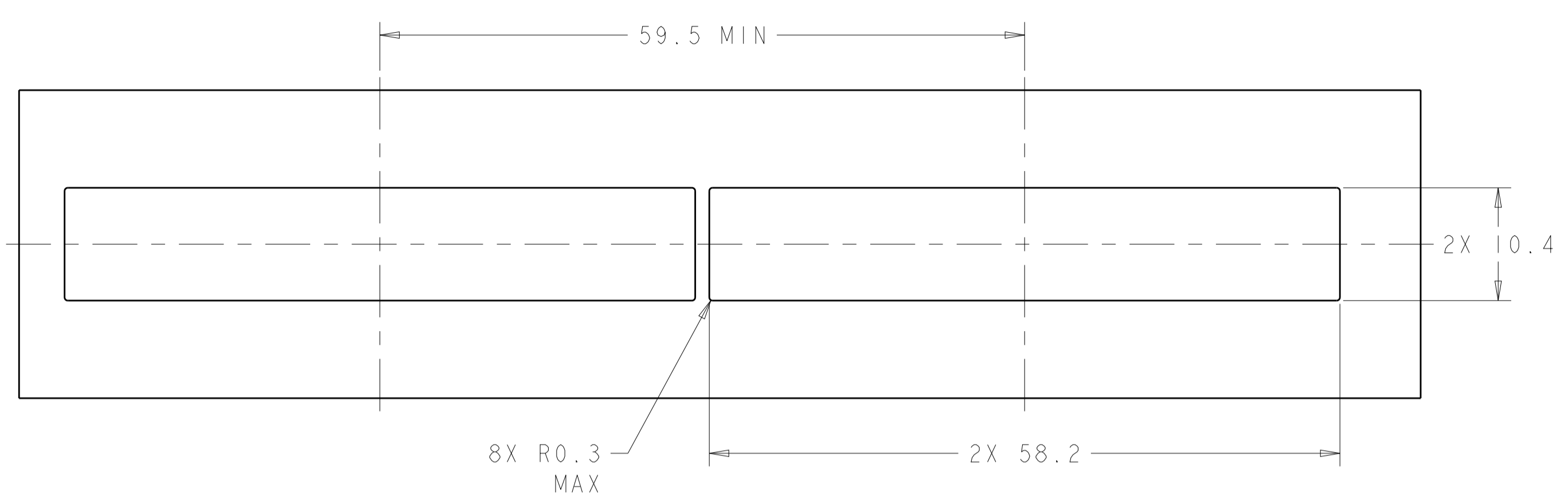


WITH FIN TYPE HEAT SINK

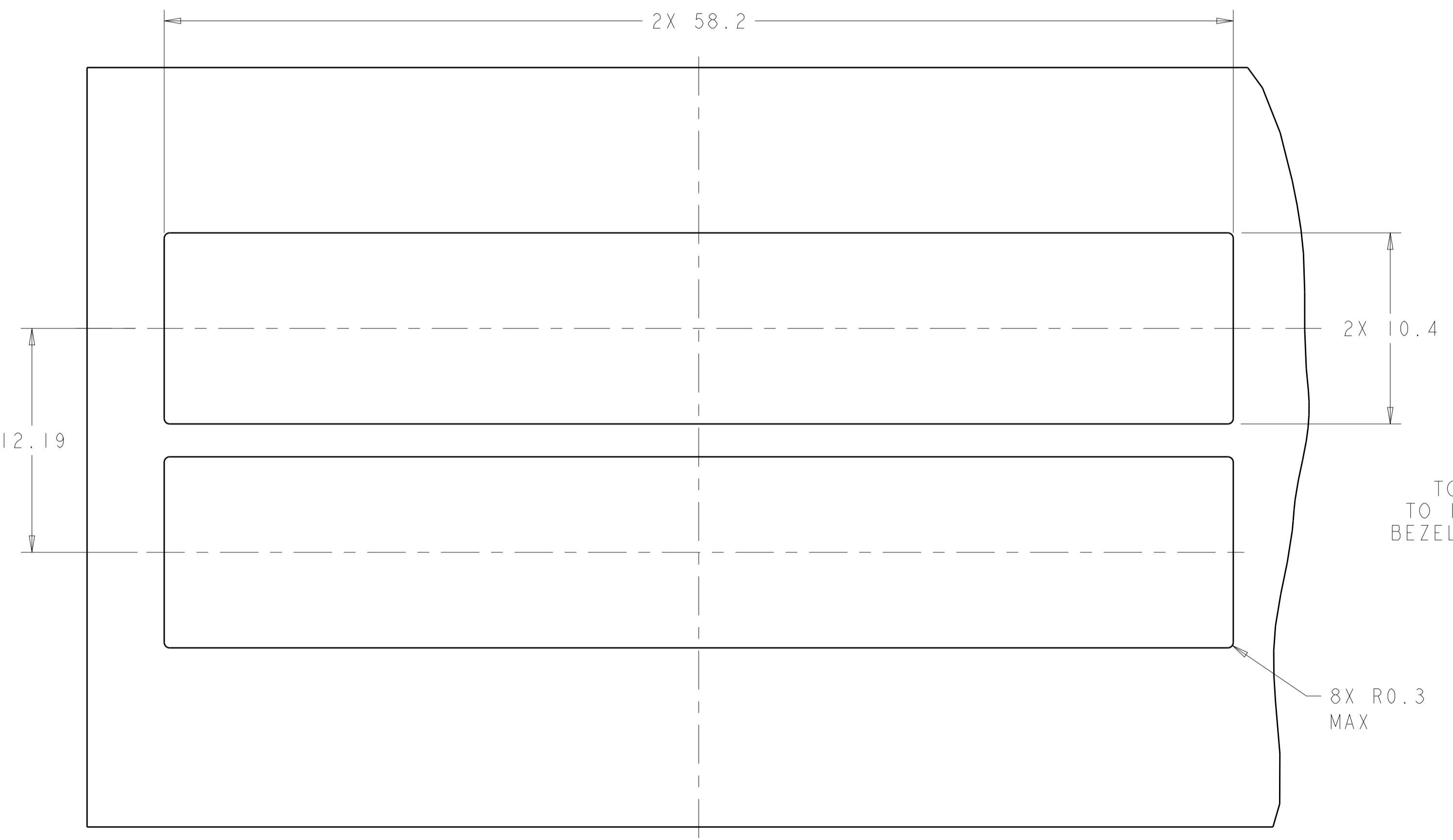
2149730-6,7,8,9 AS SHOWN WITHOUT INSULATING TAPE, WITH FIN TYPE HEAT SINK

THIS DRAWING IS A CONTROLLED DOCUMENT.		OWN: M. SCHMITT 23AUG2010	<b>STE</b> TE Connectivity
DIMENSIONS:		CHK: M. SCHMITT 23AUG2010	
mm	TOLERANCES UNLESS OTHERWISE SPECIFIED:	APVD: B. WERTZ 23AUG2010	NAME: SFP+ ENHANCED 1X4 CAGE ASSEMBLY PRESS FIT, EXTERNAL EMI SPRINGS WITH HEATSINK
0 PLC	±0.1	PRODUCT SPEC	SIZE: CAGE CODE DRAWING NO
1 PLC	±0.1	108-2364	RESTRICTED TO
2 PLC	±0.1	APPLICATION SPEC	A100779C=2149730
3 PLC	±0.1	114-13120	SCALE: 5:1 SHEET 2 OF 7 REV: A3
4 PLC	±0.1	WEIGHT	Customer Drawing
ANGLES	±1°		
MATERIAL	FINISH		

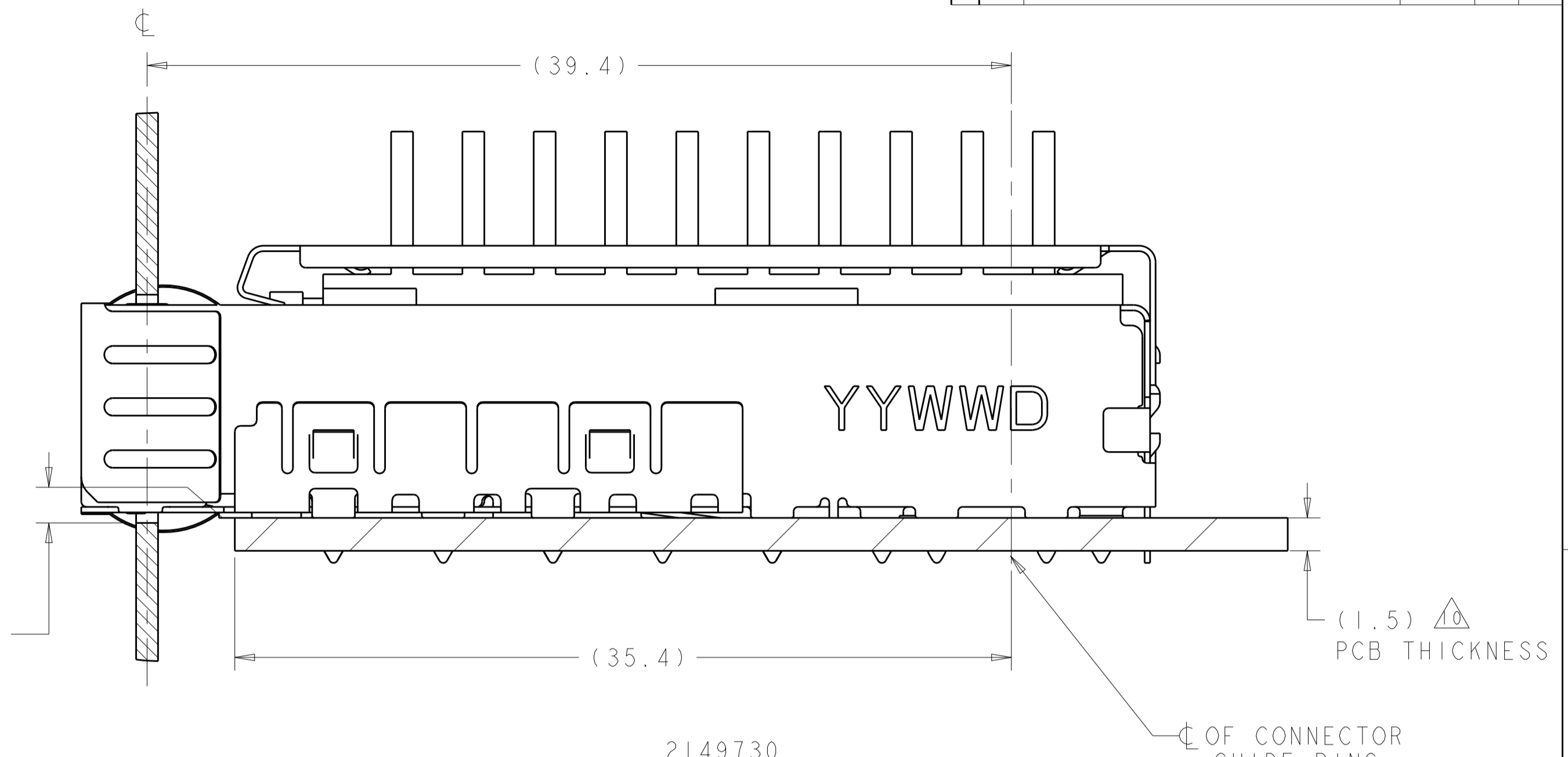
LOC		DIST		REVISIONS			
GP	00	P	LTN	DESCRIPTION	DATE	DMN	APVD
-	-	-	-	SEE SHEET 1	-	-	-



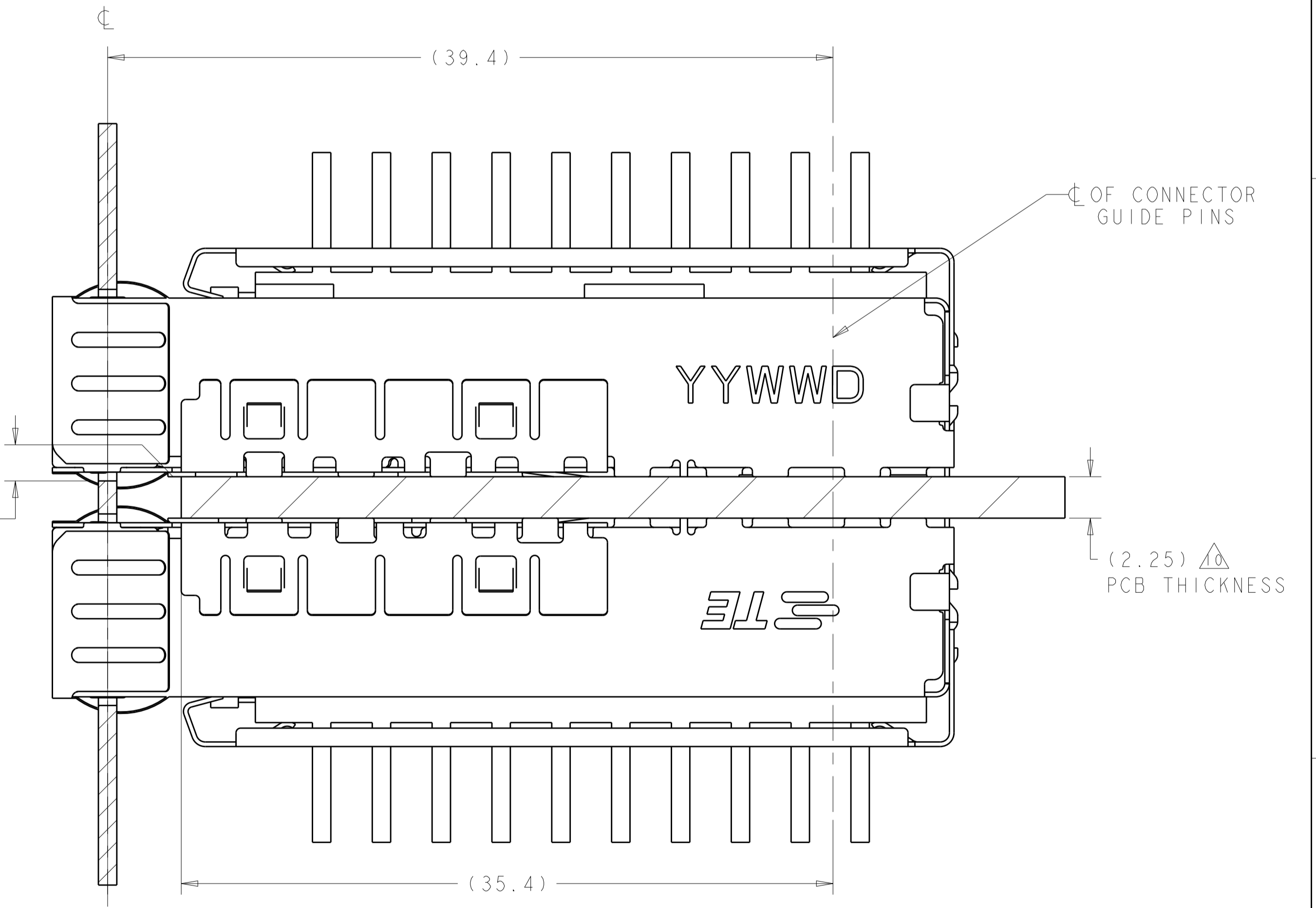
RECOMMENDED BEZEL CUT-OUT  
 SINGLE SIDED APPLICATIONS  
 SCALE 5:2



RECOMMENDED BEZEL CUT-OUT  
 BELLY TO BELLY APPLICATIONS



2149730  
 MOUNTED ON PC BOARD  
 SHOWN THRU RECOMMENDED BEZEL



2149730  
 MOUNTED BELLY TO BELLY ON PC BOARD  
 SHOWN THRU RECOMMENDED BEZEL

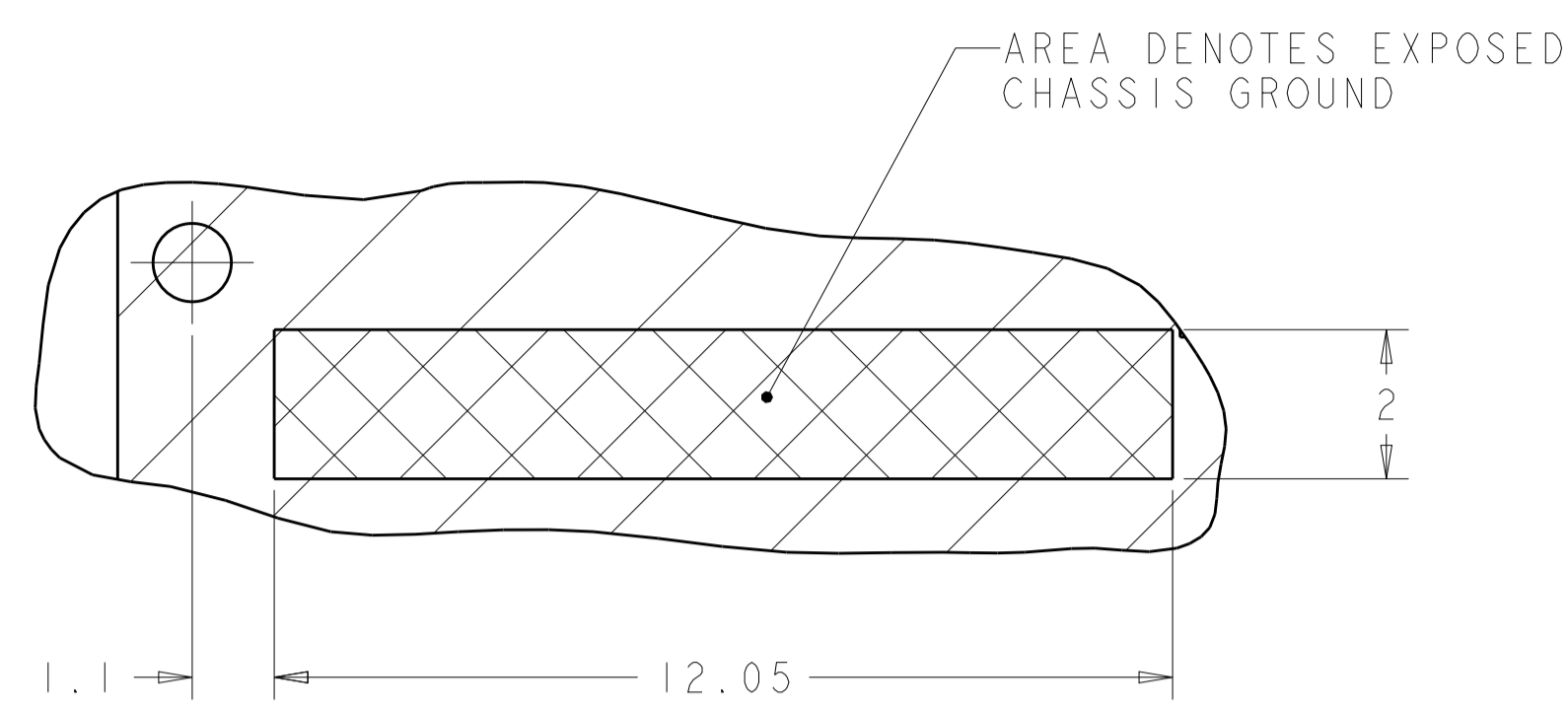
THIS DRAWING IS A CONTROLLED DOCUMENT.		DMN M. SCHMITT 23AUG2010	TE Connectivity
DIMENSIONS:		CHK M. SCHMITT 23AUG2010	
mm	TOLERANCES UNLESS OTHERWISE SPECIFIED:	APVD B. WERTZ 23AUG2010	NAME SFP+ ENHANCED 1X4 CAGE ASSEMBLY PRESS FIT, EXTERNAL EMI SPRINGS WITH HEATSINK
0 PLC ±0.1 1 PLC ±0.1 2 PLC ±0.1 3 PLC ±0.1 4 PLC ±0.1 ANGLES ±1°	FINISH 	PRODUCT SPEC 108-2364	SIZE A100779
MATERIAL 		APPLICATION SPEC 114-13120	DRAWING NO C=2149730
		WEIGHT	RESTRICTED TO
		Customer Drawing	SCALE 5:1 SHEET 3 OF 7 REV A3



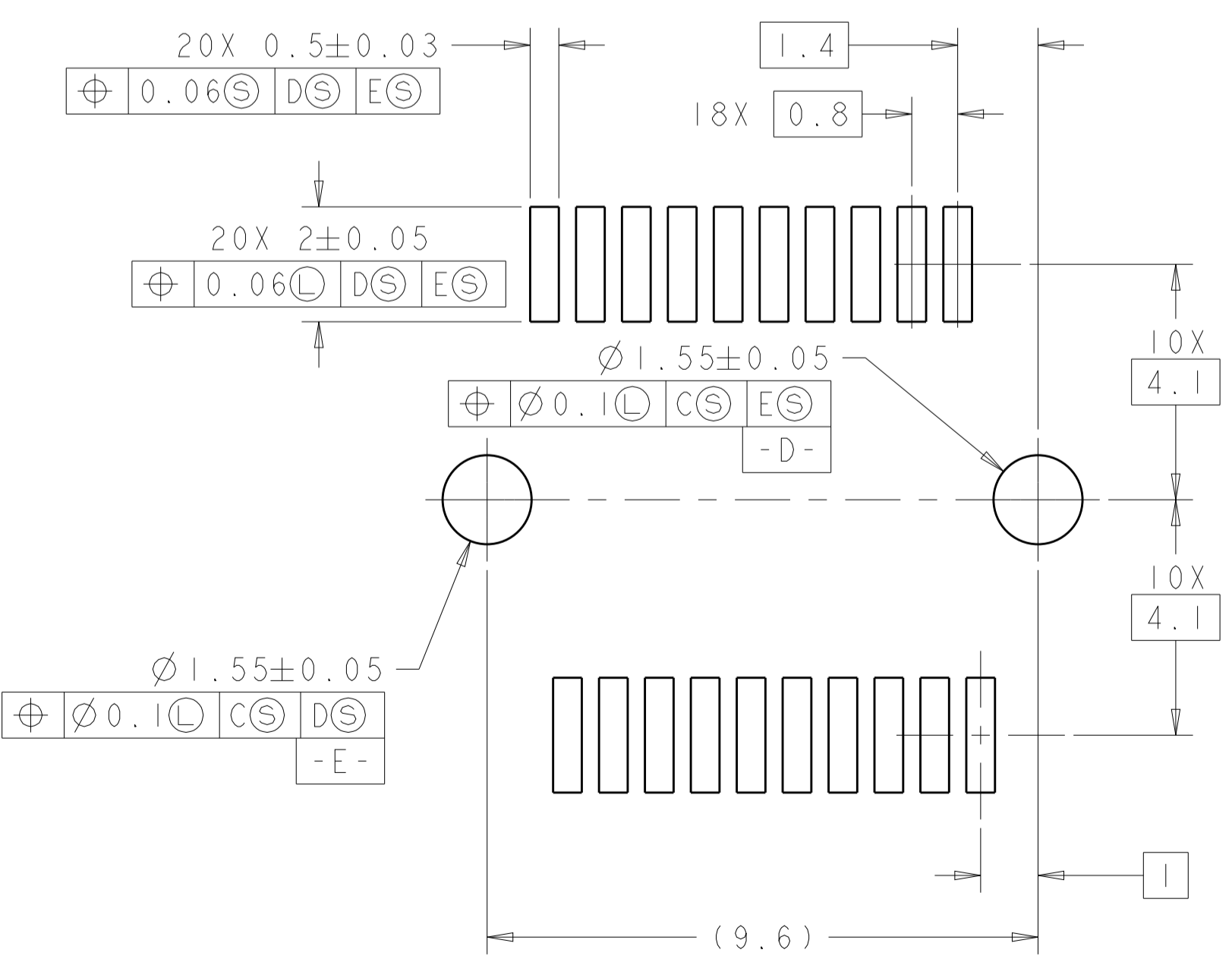
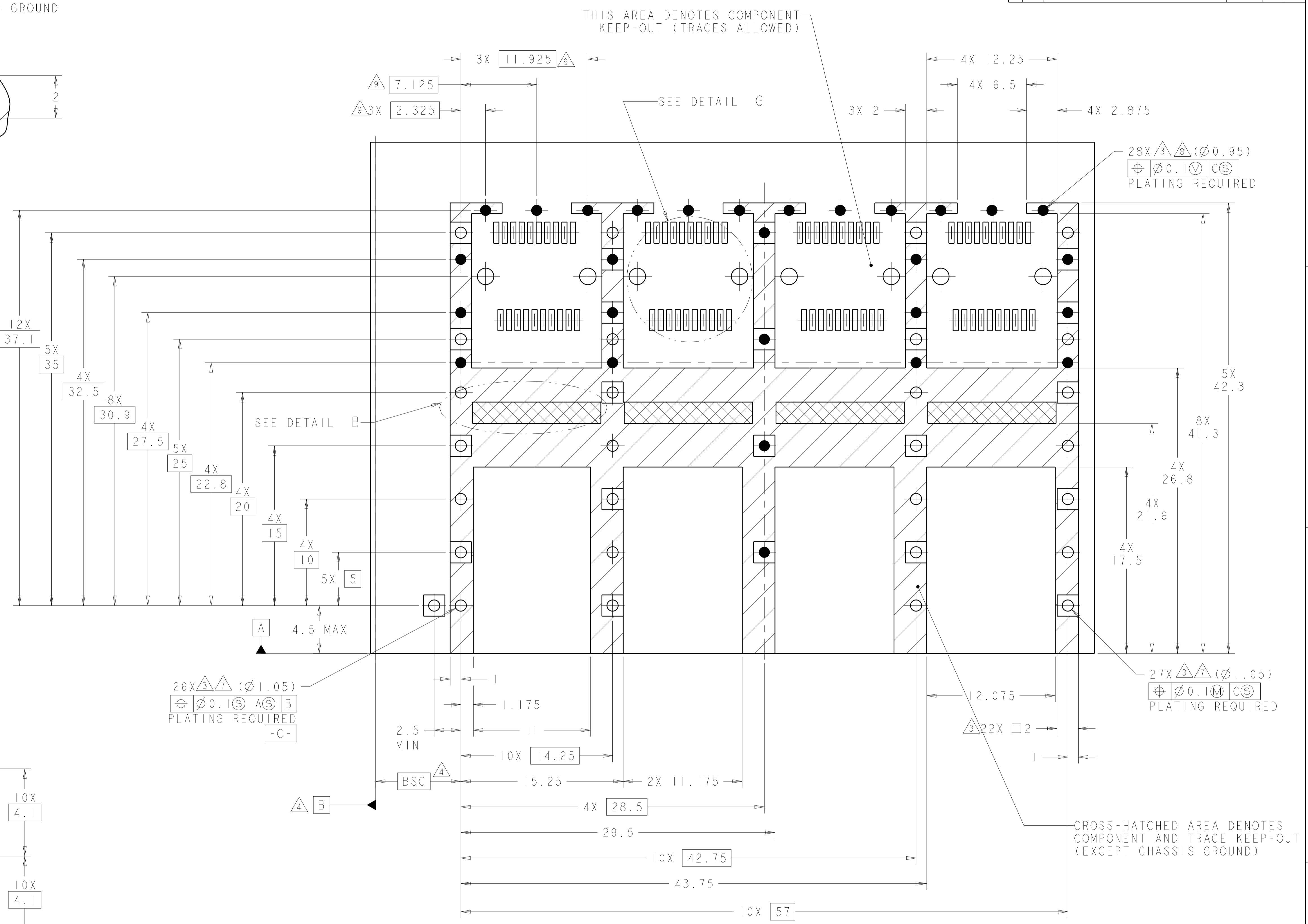




LOC		DIST		REVISIONS			
GP	00	P	LTH	DESCRIPTION	DATE	DWN	APVD
		-	-	SEE SHEET 1	-	-	-



DETAIL B  
 4X INDIVIDUALLY  
 SCALE 10:1



DETAIL G  
 RECOMMENDED PT CONNECTOR LAYOUT  
 8X INDIVIDUALLY  
 SCALE 10:1

RECOMMENDED PCB CONFIGURATION  
 WITH KEEP-OUT AREAS  
 BELLY TO BELLY APPLICATIONS  
 WITH INSULATING TAPE

THIS DRAWING IS A CONTROLLED DOCUMENT.		DWN: M. SCHMITT 23AUG2010	TE Connectivity
DIMENSIONS: mm		CHK: M. SCHMITT 23AUG2010	
TOLERANCES UNLESS OTHERWISE SPECIFIED:		APVD: B. WERTZ 23AUG2010	NAME: SFP+ ENHANCED 1X4 CAGE ASSEMBLY PRESS FIT, EXTERNAL EMI SPRINGS WITH HEATSINK
0 PLC ±0.1		PRODUCT SPEC: 108-2364	
1 PLC ±0.1		APPLICATION SPEC: 114-13120	
2 PLC ±0.1		WEIGHT: -	
3 PLC ±0.1		SIZE: 114-13120	RESTRICTED TO: -
4 PLC ±0.1		Customer Drawing	SCALE: 5:1
ANGLES ±1°		Customer Drawing	SHEET 7 OF 7
FINISH: -		Customer Drawing	REV: A3

# Mouser Electronics

Authorized Distributor

Click to View Pricing, Inventory, Delivery & Lifecycle Information:

[TE Connectivity:](#)

[2149730-4](#)