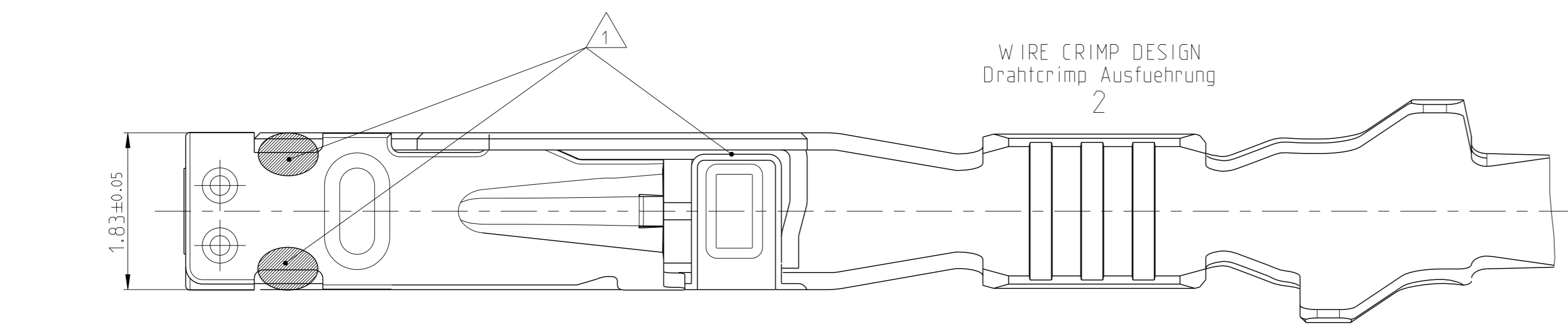
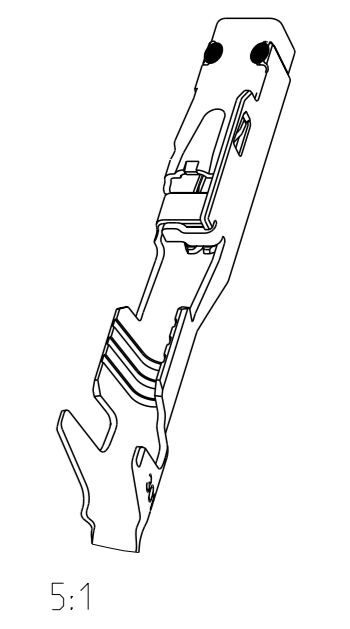
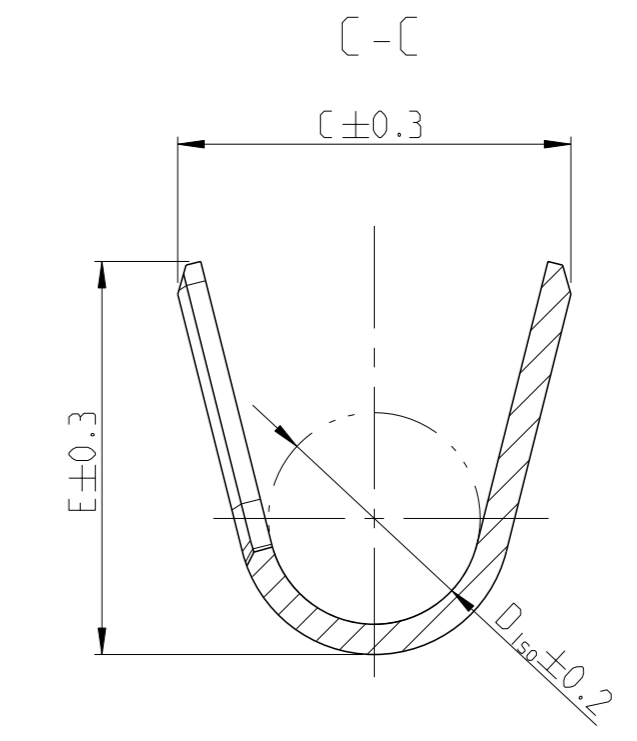
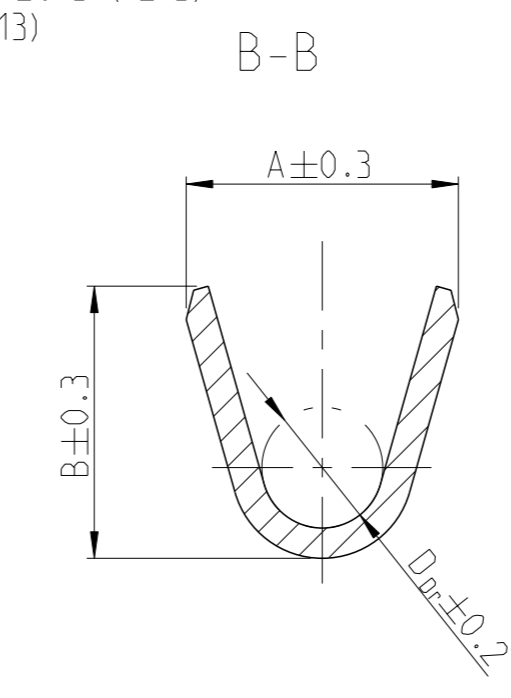
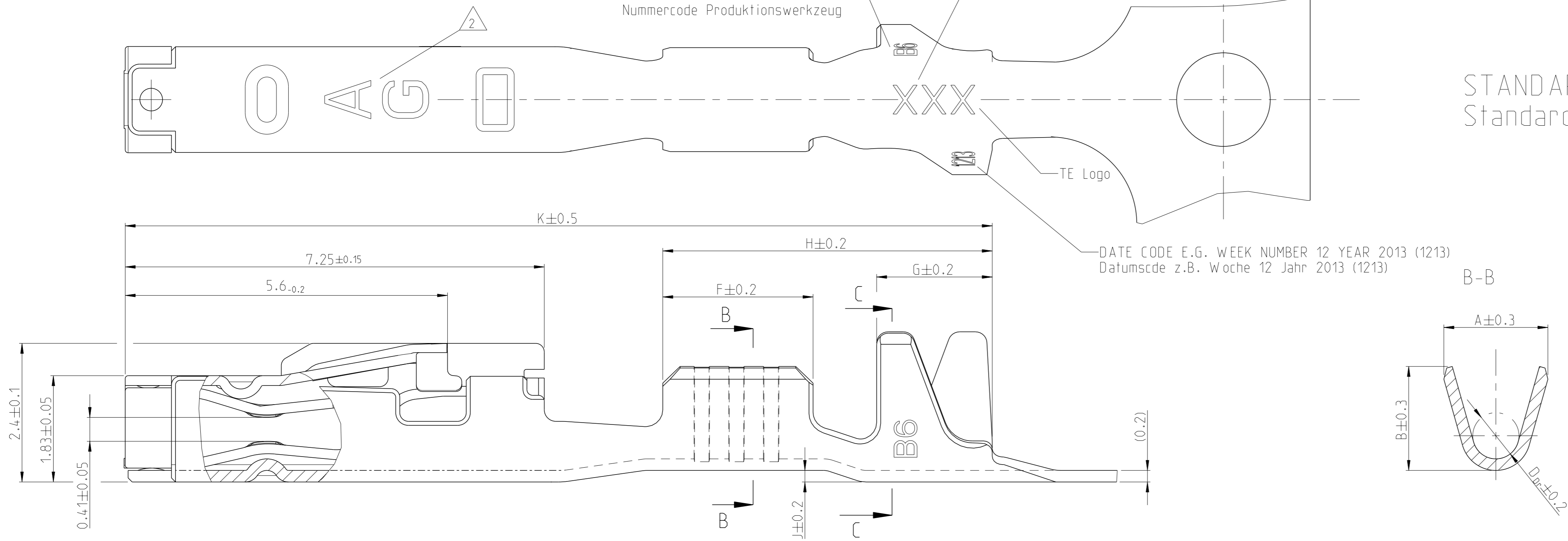


|                                 |           |           |           |           |      |      |
|---------------------------------|-----------|-----------|-----------|-----------|------|------|
| Project No.<br>PRJ-11-000001417 | Loc<br>A1 | DIST<br>- | REVISIONS |           |      |      |
|                                 |           |           | #         | DATE      | OWN  | APVD |
|                                 |           |           | C4        | 06FEB2014 | Abr  | Raab |
|                                 |           |           | C5        | 12JUN2014 | Abr  | Raab |
|                                 |           |           | C6        | 25AUG2014 | Abr  | Raab |
|                                 |           |           | C7        | 21DEC2017 | FRAN | KURF |

REVISION Aenderungsstand /  
NUMBER CODE PRODUCTION TOOL  
Nummercode Produktionswerkzeug

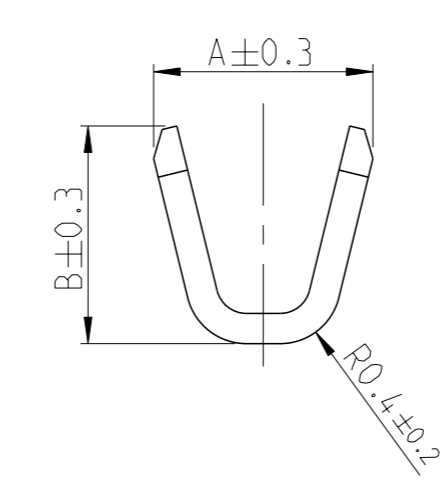
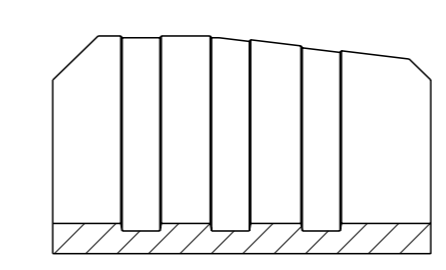
MANUFACTURING LOCATION CODE  
Kennzahl Produktionsstandort

STANDARD APPLICATION  
Standard Anwendung

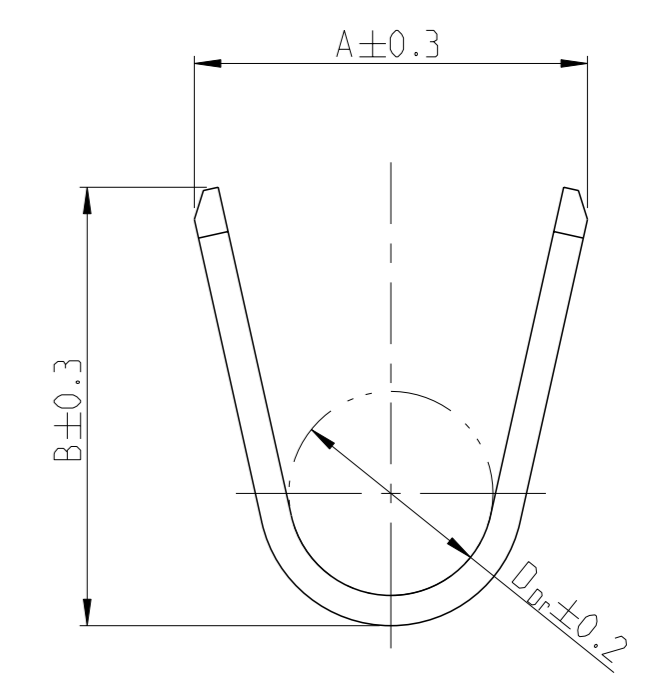
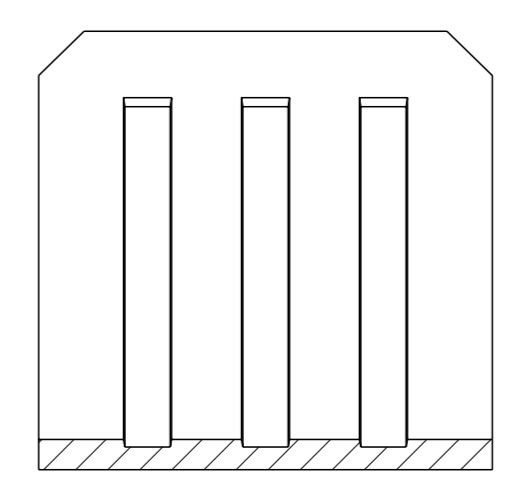


WIRE CRIMP DESIGN  
Drahtcrimp Ausfuehrung  
2

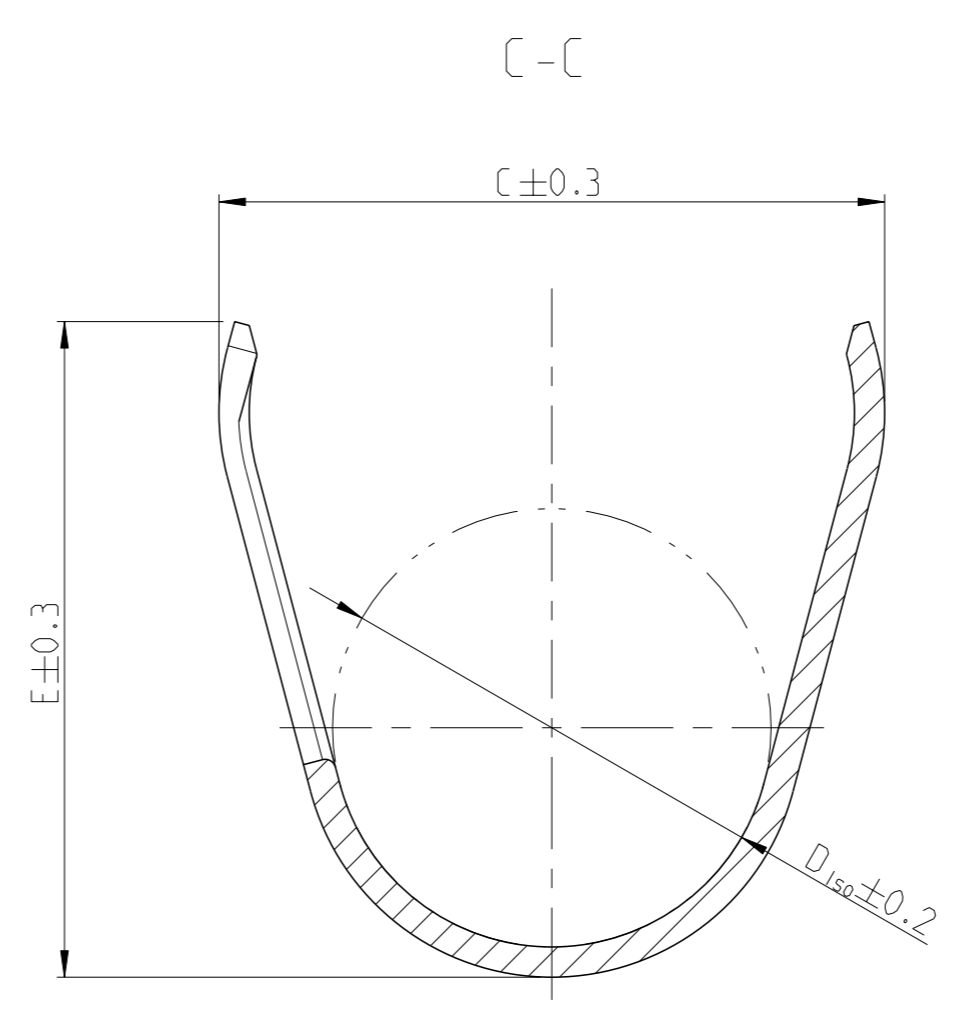
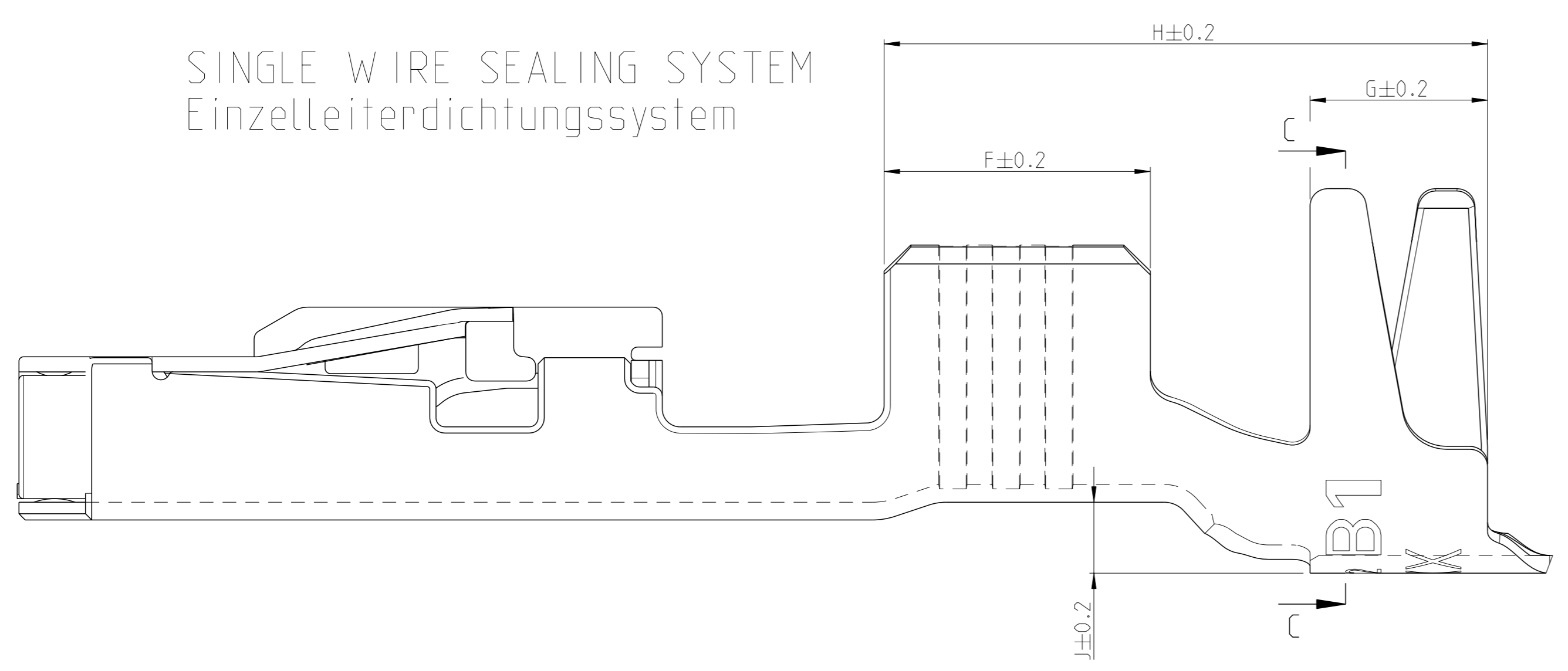
WIRE CRIMP DESIGN  
Drahtcrimp Ausfuehrung  
1



WIRE CRIMP DESIGN  
Drahtcrimp Ausfuehrung  
3



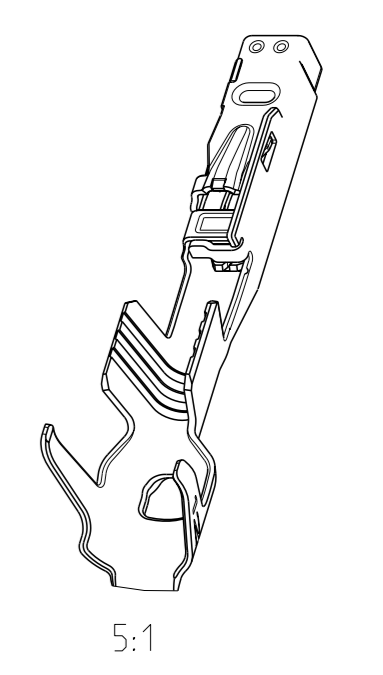
SINGLE WIRE SEALING SYSTEM  
Einzelleiterdichtungssystem



NOTES  
Bemerkungen

- 1 LASER WELDED  
Lasergeschweisst
- 2 STAMPED INDICATOR FOR PLATING:  
- AU GOLD PLATING  
- AG SILVER PLATING  
- TIN PLATING WITHOUT INDICATOR  
Markierung fuer galvanische Ausfuehrung:  
- AU verguldet  
- AG versilbert  
- verzinkt: ohne Markierung

- 3 TO BE USED ON TAB  
1.2±0.1 x 0.6±0.03 MM  
geeignet fuer Flachstecker  
1.2±0.1 x 0.6±0.03 mm



|  |  |                   |           |                                |                                     |
|--|--|-------------------|-----------|--------------------------------|-------------------------------------|
| THIS DRAWING IS A CONTROLLED DOCUMENT.         |  | OWN<br>E. Horn    | 11NOV2011 |                                | TE Connectivity                     |
| DIMENSIONS:<br>mm                              |  | CHK<br>R. Meier   | 11NOV2011 |                                | NAME<br>MCON 1.2 LL (LOCKING-LANCE) |
| TOLERANCES UNLESS OTHERWISE SPECIFIED:<br>±0.2 |  | APVD<br>V. Seigel | 11NOV2011 | SIZE<br>108-18782              | RESTRICTED TO                       |
| MATERIAL                                       |  | FINISH            |           | APPLICATION SPEC<br>114-18464  | SCALE<br>20:1                       |
| WEIGHT<br>0.18 g                               |  | Customer Drawing  |           | REVISION<br>A1 00779 ©=1452674 | SHEET<br>1 OF 2                     |
| 4805 (3/11)                                    |  |                   |           | REV<br>C7                      |                                     |

| LOC | DIST | REVISIONS |             |     |      |
|-----|------|-----------|-------------|-----|------|
|     |      | REV       | DATE        | OWN | APVD |
| A1  | -    | -         | SEE SHEET 1 | -   | -    |

| VERSION / Ausführung                   | REV.        | RANGE Bereich | INSULATION-Ø Isolations-durchmesser (mm) | AWG   | mm <sup>2</sup> | BODY Kontakt-körper | SPRING Kontakt-feder | BODY Kontakt-körper | SPRING Kontakt-feder | DESIGN WIRE-CRIMP Ausführung Draht-Crimp | C7  |     |                 |      |     |                  |     |       |     |     |     | SINGLE WIRE SEAL FOR CAVITY DIAMETER | BLINDPLUG ORDER NO. Blindstopfen Bestell-Nr.                       | APPLICATION TOOLS Verarbeitungswerkzeuge |  |
|--|-------------|---------------|--|-------|-----------------|---------------------|----------------------|---------------------|----------------------|--|-----|-----|-----------------|------|-----|------------------|-----|-------|-----|-----|-----|--------------------------------------|--|--|--|
|  |             |               |  |       |                 |                     |                      |                     |                      |  | A   | B   | D <sub>Dr</sub> | C    | E   | D <sub>ISO</sub> | F   | G     | H   | J   | K   |                                      |  |  |  |
| STANDARD APPLICATION Standardanwendung | 2141970-3   | A             | 0.13-                                    | 0.95- | -               | 0.13                | CuSn4                | CuNiSi              | 8                    | 7  | 1   | 1.5 | 1.4             | -    | 4.0 | 3.9              | 2.6 | 2.5   | 1.9 | 6.2 | 0.6 | 16                                   | SEE APPLICATION SPEC. 114-18464 siehe Verarbeitungsspez. 114-18464 |  |  |
|  | 2141970-2   | A             | 0.22                                     | 0.95- | -               | 0.17                |                      |                     |                      | 6  | 1   | 1.5 | 1.4             | -    | 4.0 | 3.9              | 2.6 | 2.5   | 1.9 | 6.2 | 0.6 | 16                                   |  |  |  |
|  | 2141970-1   | A             | 9  | 1.2   | -               | 0.22                |                      |                     |                      | 5  | 1   | 1.5 | 1.4             | -    | 4.0 | 3.9              | 2.6 | 2.5   | 1.9 | 6.2 | 0.6 | 16                                   |  |  |  |
|  | 7-1452665-3 | A             | 0.25-                                    | 1.1-  | -               | 0.25                |                      |                     |                      | 7  | 2   | 1.8 | 1.8             | 0.8  | 4.2 | 4.3              | 2.6 | 2.6   | 2.0 | 6.4 | 0.8 | 16                                   |  |  |  |
|  | 7-1452665-2 | A             | 0.25-                                    | 1.1-  | 24              | -                   |                      |                     |                      | 6  | 2   | 1.8 | 1.8             | 0.8  | 4.2 | 4.3              | 2.6 | 2.6   | 2.0 | 6.4 | 0.8 | 16                                   |  |  |  |
|  | 7-1452665-1 | A             | 0.35                                     | 1.75  | 22              | -                   |                      |                     |                      | 5  | 2   | 1.8 | 1.8             | 0.8  | 4.2 | 4.3              | 2.6 | 2.6   | 2.0 | 6.4 | 0.8 | 16                                   |  |  |  |
|  | 7-1452668-3 | A             | 0.5-                                     | 1.4-  | 20              | 0.5                 |                      |                     |                      | 7  | 2   | 2.0 | 2.1             | 1.1  | 4.2 | 4.3              | 2.7 | 2.6   | 2.0 | 6.4 | 0.8 | 16                                   |  |  |  |
|  | 7-1452668-2 | A             | 0.5-                                     | 1.4-  | -               | 0.75                |                      |                     |                      | 6  | 2   | 2.0 | 2.1             | 1.1  | 4.2 | 4.3              | 2.7 | 2.6   | 2.0 | 6.4 | 0.8 | 16                                   |  |  |  |
|  | 7-1452668-1 | A             | 0.75                                     | 1.9   | -               | 0.75                |                      |                     |                      | 5  | 2   | 2.0 | 2.1             | 1.1  | 4.2 | 4.3              | 2.7 | 2.6   | 2.0 | 6.4 | 0.8 | 16                                   |  |  |  |
|  | 7-1452671-3 | A             | 1-                                       | 1.9-  | 18              | -                   |                      |                     |                      | 7  | 2   | 2.6 | 2.9             | 1.35 | 4.4 | 4.3              | 2.9 | 3.0   | 2.0 | 6.8 | 0.8 | 16.55                                |  |  |  |
|  | 7-1452671-2 | A             | 1-                                       | 1.9-  | -               | 1                   |                      |                     |                      | 6  | 2   | 2.6 | 2.9             | 1.35 | 4.4 | 4.3              | 2.9 | 3.0   | 2.0 | 6.8 | 0.8 | 16.55                                |  |  |  |
|  | 7-1452671-1 | A             | 1.5                                      | 2.4   | 16              | -                   |                      |                     |                      | 5  | 2   | 2.6 | 2.9             | 1.35 | 4.4 | 4.3              | 2.9 | 3.0   | 2.0 | 6.8 | 0.8 | 16.55                                |  |  |  |
| 7-1452671-1                            | A           | 1.5           | 2.4                                      | -     | 1.5             | 5                   | 2                    | 2.6                 | 2.9                  | 1.35                                     | 4.4 | 4.3 | 2.9             | 3.0  | 2.0 | 6.8              | 0.8 | 16.55 |     |     |     |                                      |  |  |  |

**7- VARIANTS FOR NEW APPLICATIONS**

- NOTES  
Bemerkungen
- 4 ONLY FOR FLR-WIRE SEE DIN 72551, PART 6 AND AWG WIRE ACCORDING DC-SPEC: MS-8288 ; MS-7889 ; MS-9532  
Nur fuer FLR-Leitung nach DIN 72551, Teil 6 und AWG Leitung nach DC-SPEC: MS-8288 ; MS-7889 ; MS-9532
  - 5 PRE TIN SnAg 1.0 TO 3.0µm  
Vorverzinnt SnAg 1.0 bis 3.0µm
  - 6 SPRING GOLD PLATED MIN. 0.8µm (only contact area)  
Kontaktfeder galv. vergoldeft min.0.8µm (nur Kontaktzone)
  - 7 SPRING SILVER PLATED 2.0 TO 5.0µm (only contact area)  
Kontaktfeder galv. versilbert 2.0 bis 5.0µm (nur Kontaktzone)
  - 8 BODY PRE TIN Sn 1.0 TO 3.0µm  
Kontaktkoerper vorverzinnt Sn 1.0 bis 3.0µm
  - 9 REINFORCED WIRE ACCORDING TO LV 112-4  
Zugverstaerkte Leitung nach LV 112-4

| VERSION / Ausführung                   | REV.        | RANGE Bereich | INSULATION-Ø Isolations-durchmesser (mm) | AWG  | mm <sup>2</sup> | BODY Kontakt-körper | SPRING Kontakt-feder | BODY Kontakt-körper | SPRING Kontakt-feder | DESIGN WIRE-CRIMP Ausführung Draht-Crimp | C7 |     |                 |      |     |                  |     |     |     |     |     | SINGLE WIRE SEAL FOR CAVITY DIAMETER | BLINDPLUG ORDER NO. Blindstopfen Bestell-Nr.                       | APPLICATION TOOLS Verarbeitungswerkzeuge |  |
|--|-------------|---------------|--|------|-----------------|---------------------|----------------------|---------------------|----------------------|--|----|-----|-----------------|------|-----|------------------|-----|-----|-----|-----|-----|--------------------------------------|--|--|--|
|  |             |               |  |      |                 |                     |                      |                     |                      |  | A  | B   | D <sub>Dr</sub> | C    | E   | D <sub>ISO</sub> | F   | G   | H   | J   | K   |                                      |  |  |  |
| STANDARD APPLICATION Standardanwendung | 0-1452665-3 | B             | 0.25-                                    | 1.1- | -               | 0.25                | CuSn0.15/0.2         | CuNiSi              | 5                    | 7  | 2  | 1.8 | 1.8             | 0.8  | 4.2 | 4.3              | 2.6 | 2.6 | 2.0 | 6.4 | 0.8 | 16                                   | SEE APPLICATION SPEC. 114-18464 siehe Verarbeitungsspez. 114-18464 |  |  |
|  | 0-1452665-2 | B             | 0.25-                                    | 1.1- | 24              | -                   |                      |                     |                      | 6  | 2  | 1.8 | 1.8             | 0.8  | 4.2 | 4.3              | 2.6 | 2.6 | 2.0 | 6.4 | 0.8 | 16                                   |  |  |  |
|  | 0-1452665-1 | B             | 0.35                                     | 1.75 | 22              | -                   |                      |                     |                      | 5  | 2  | 1.8 | 1.8             | 0.8  | 4.2 | 4.3              | 2.6 | 2.6 | 2.0 | 6.4 | 0.8 | 16                                   |  |  |  |
|  | 0-1452668-3 | C             | 0.5-                                     | 1.4- | 20              | 0.5                 |                      |                     |                      | 7  | 2  | 2.0 | 2.1             | 1.1  | 4.2 | 4.3              | 2.7 | 2.6 | 2.0 | 6.4 | 0.8 | 16                                   |  |  |  |
|  | 0-1452668-2 | C             | 0.5-                                     | 1.4- | -               | 0.75                |                      |                     |                      | 6  | 2  | 2.0 | 2.1             | 1.1  | 4.2 | 4.3              | 2.7 | 2.6 | 2.0 | 6.4 | 0.8 | 16                                   |  |  |  |
|  | 0-1452668-1 | C             | 0.75                                     | 1.9  | -               | 0.75                |                      |                     |                      | 5  | 2  | 2.0 | 2.1             | 1.1  | 4.2 | 4.3              | 2.7 | 2.6 | 2.0 | 6.4 | 0.8 | 16                                   |  |  |  |
|  | 0-1452671-3 | B             | 1-                                       | 1.9- | 18              | -                   |                      |                     |                      | 7  | 3  | 2.6 | 2.9             | 1.35 | 4.4 | 4.3              | 2.9 | 3.0 | 2.0 | 6.8 | 0.8 | 16.55                                |  |  |  |
|  | 0-1452671-2 | B             | 1-                                       | 1.9- | -               | 1                   |                      |                     |                      | 6  | 3  | 2.6 | 2.9             | 1.35 | 4.4 | 4.3              | 2.9 | 3.0 | 2.0 | 6.8 | 0.8 | 16.55                                |  |  |  |
|  | 0-1452671-1 | B             | 1.5                                      | 2.4  | 16              | -                   |                      |                     |                      | 5  | 3  | 2.6 | 2.9             | 1.35 | 4.4 | 4.3              | 2.9 | 3.0 | 2.0 | 6.8 | 0.8 | 16.55                                |  |  |  |
|  | 0-1452671-1 | B             | 1.5                                      | 2.4  | -               | 1.5                 |                      |                     |                      | 5  | 3  | 2.6 | 2.9             | 1.35 | 4.4 | 4.3              | 2.9 | 3.0 | 2.0 | 6.8 | 0.8 | 16.55                                |  |  |  |

**0- VARIANTS SUPERSEDED BY 7- VARIANTS (SEE TABLE ON TOP)**

THIS DRAWING IS A CONTROLLED DOCUMENT.

OWNER: E. Horn 11NOV2011  
 CHK: R. Meier 11NOV2011  
 APVD: V. Seigel 11NOV2011

**STE** TE Connectivity

NAME: MCON 1.2 LL (LOCKING-LANCE)

SIZE: A1 CAGE CODE: 00779 DRAWING NO: 1452674 RESTRICTED TO: -

SCALE: - SHEET: 2 OF 2 REV: C7

Customer Drawing

# Mouser Electronics

Authorized Distributor

Click to View Pricing, Inventory, Delivery & Lifecycle Information:

[TE Connectivity:](#)

[1452659-1](#)