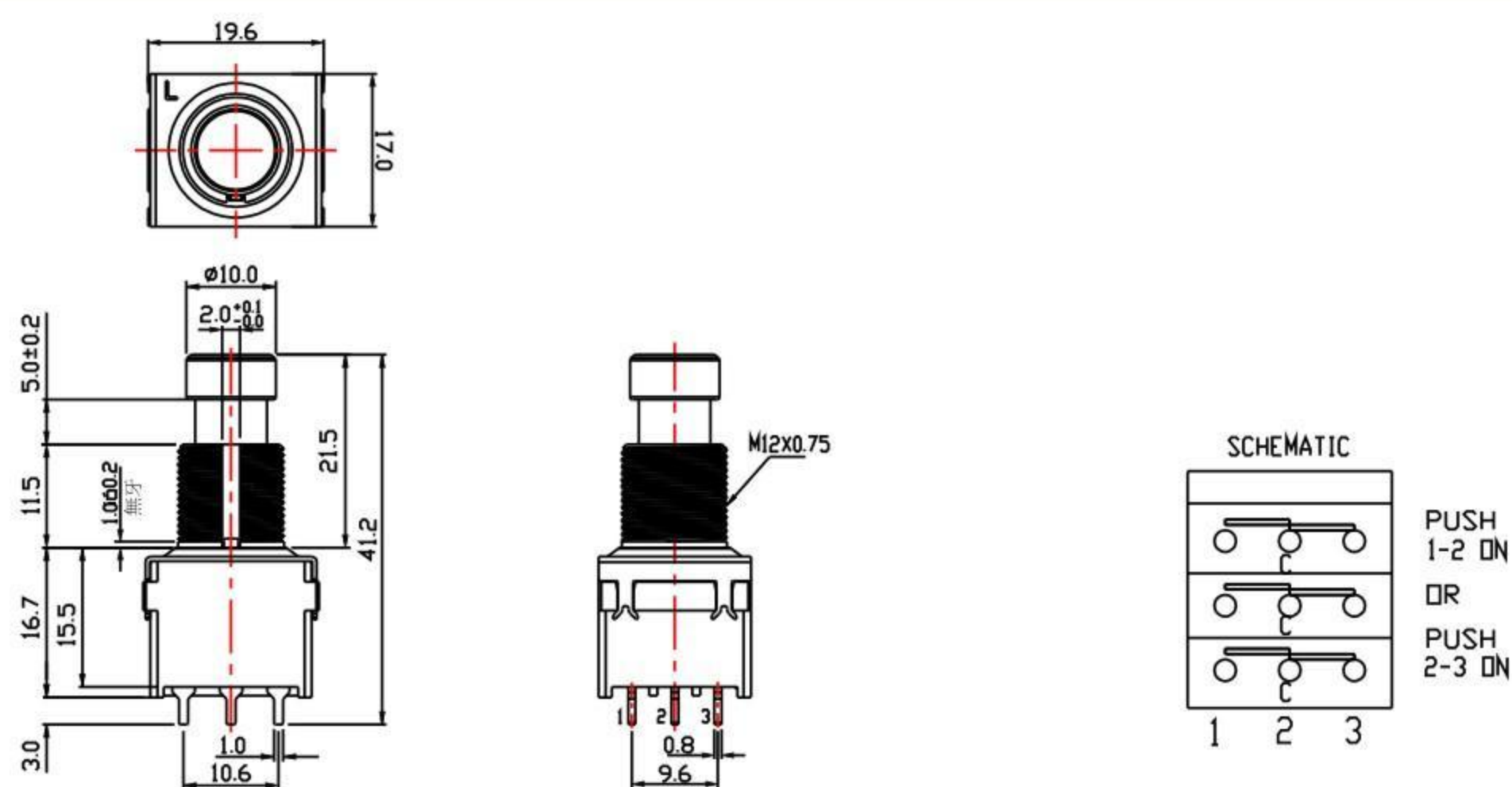
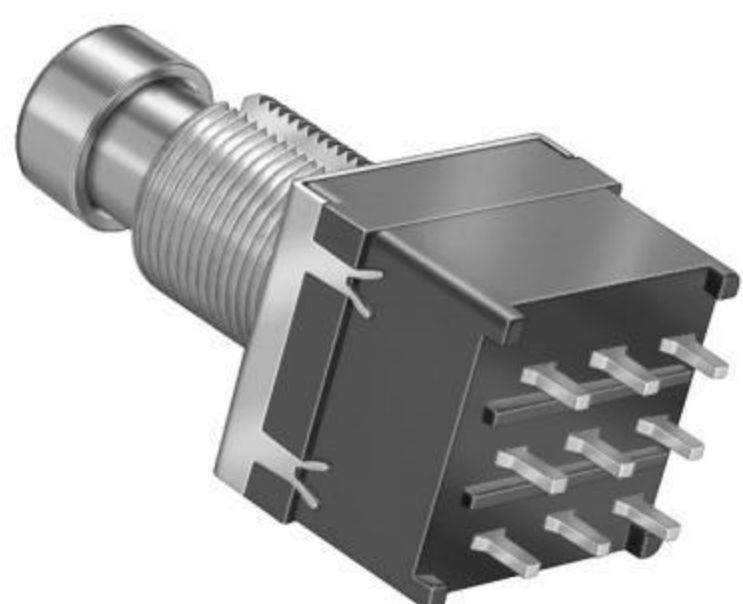


FOOT SWITCH

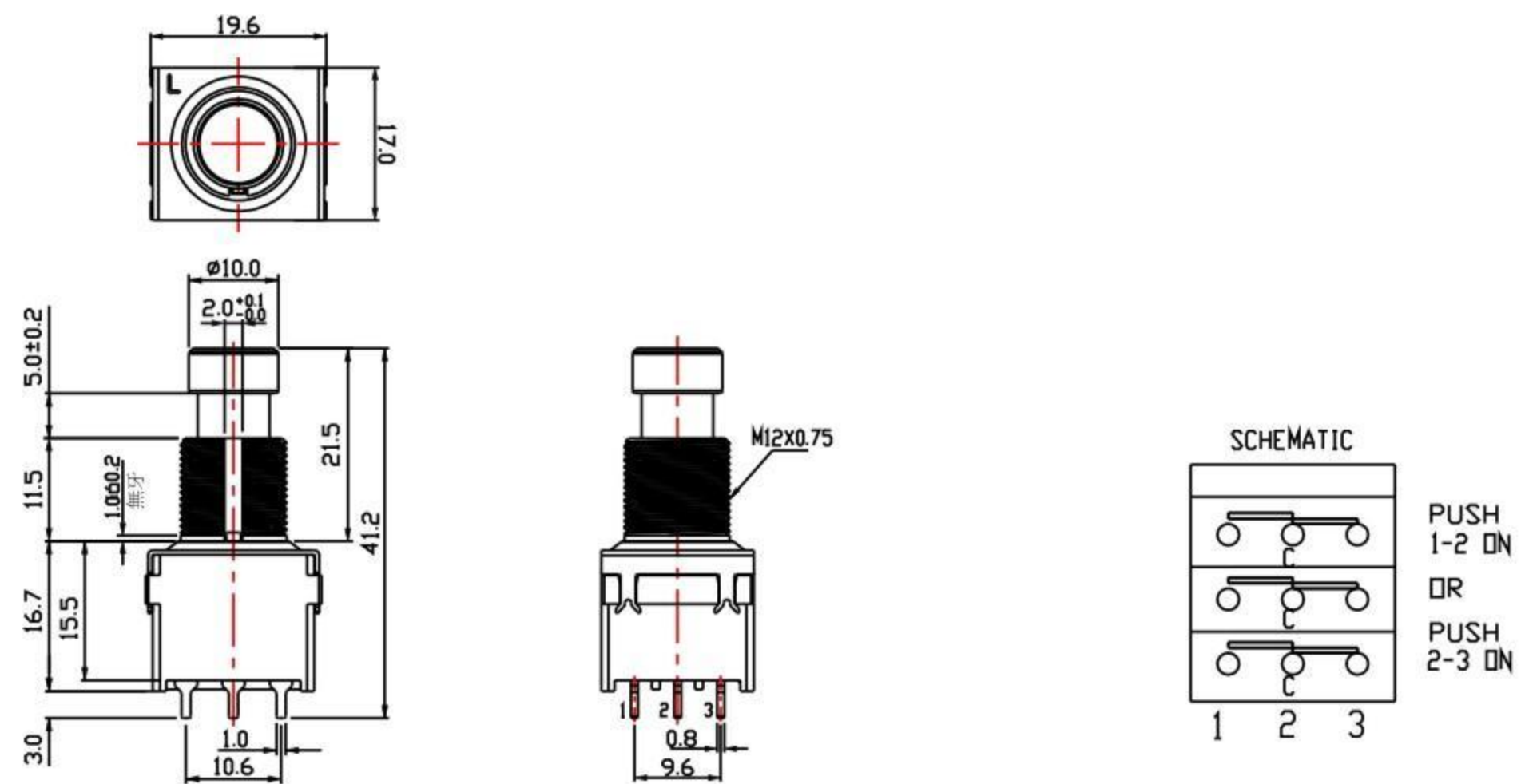
SPECIFICATION

Rating:	DC9V; 1A
Contact Resistance:	Initial: <math><30\text{ m}\Omega</math>, after test: <math><100\text{ m}\Omega</math>
Insulation Resistance:	Initial: >100 m Ω , after humidity test: >50 m Ω
Withstand Voltage:	500V AC (50-60 Hz, 2 mA)-1minute
Operating Force:	Initial: 3.0 ± 0.8 kgf, after durability test: 3.0 ± 1.0 kgf
Life Cycle:	30,000 cycles
Size(mm):	As following drawings

SF17010F-0302-21R-L



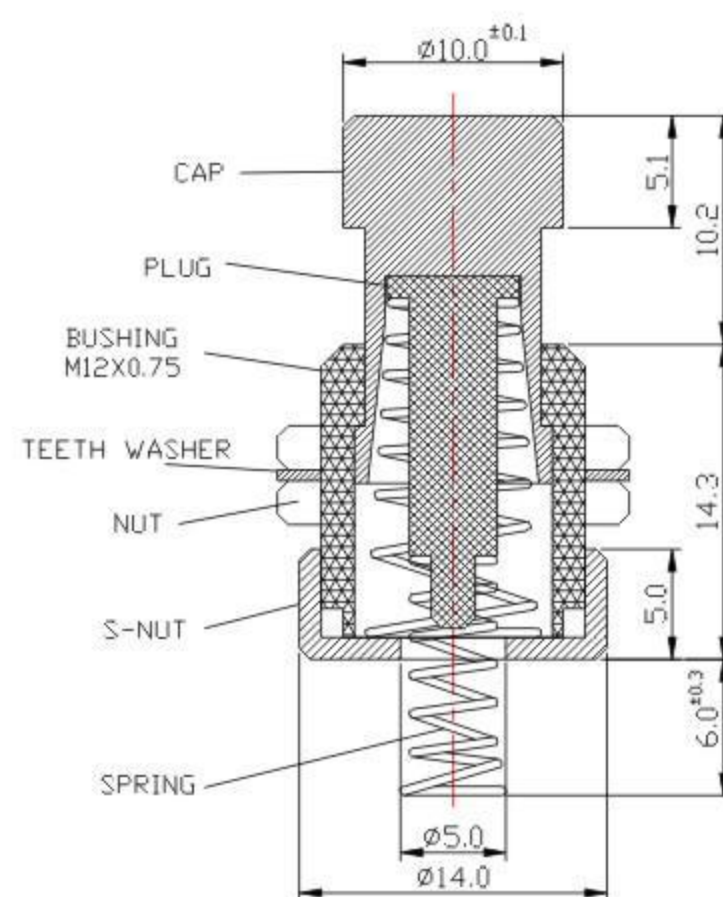
SF17020F-0302-21R-L



SPECIFICATION

Operating Force:	650 ± 200 gf.cm
Life Cycle:	20,000 cycles
Size(mm) :	As following drawings

SF12030F



Mouser Electronics

Authorized Distributor

Click to View Pricing, Inventory, Delivery & Lifecycle Information:

[Amphenol:](#)

[485-5012-001](#)