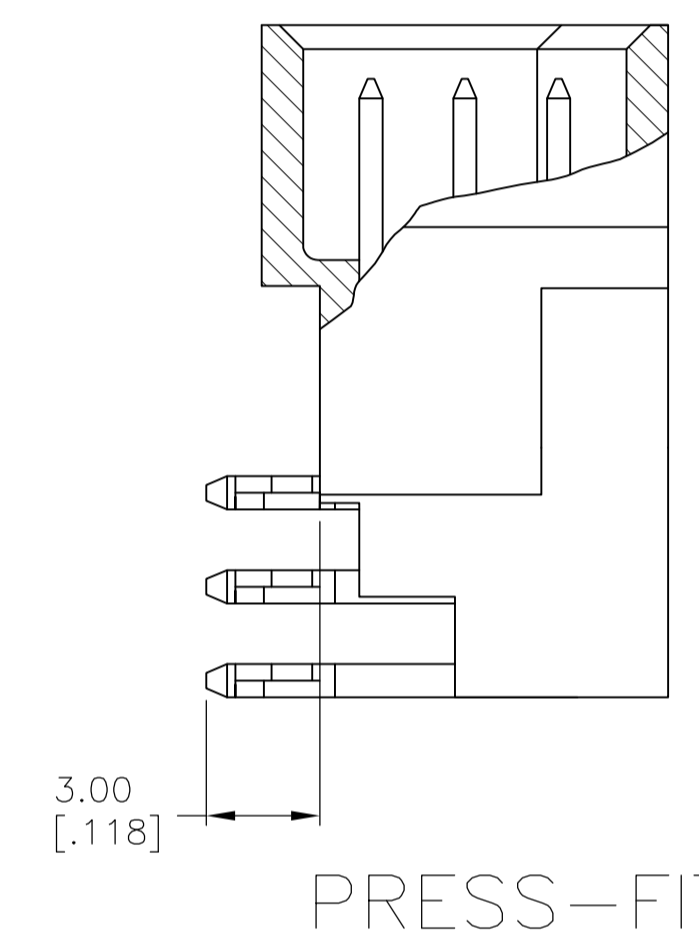
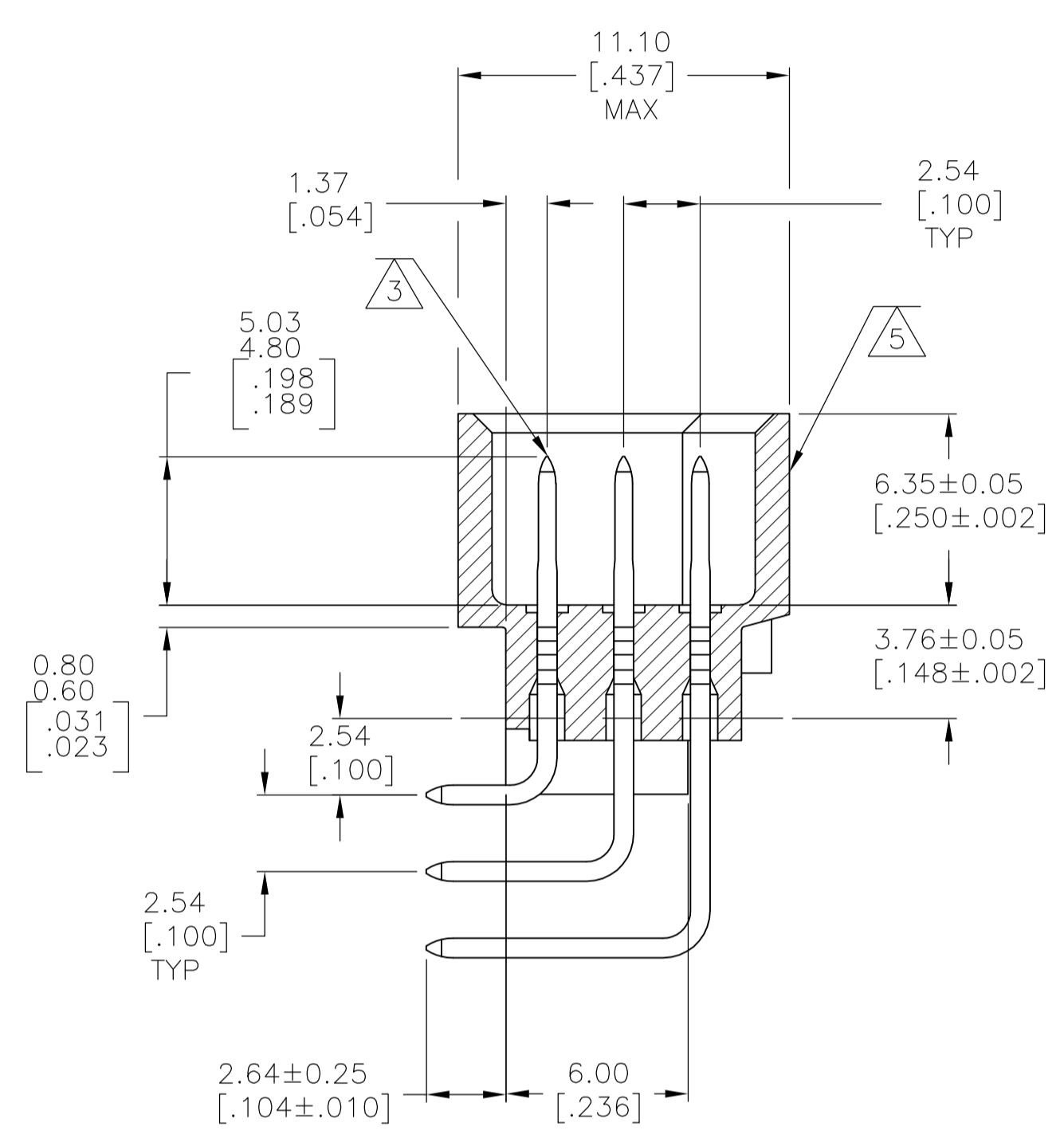
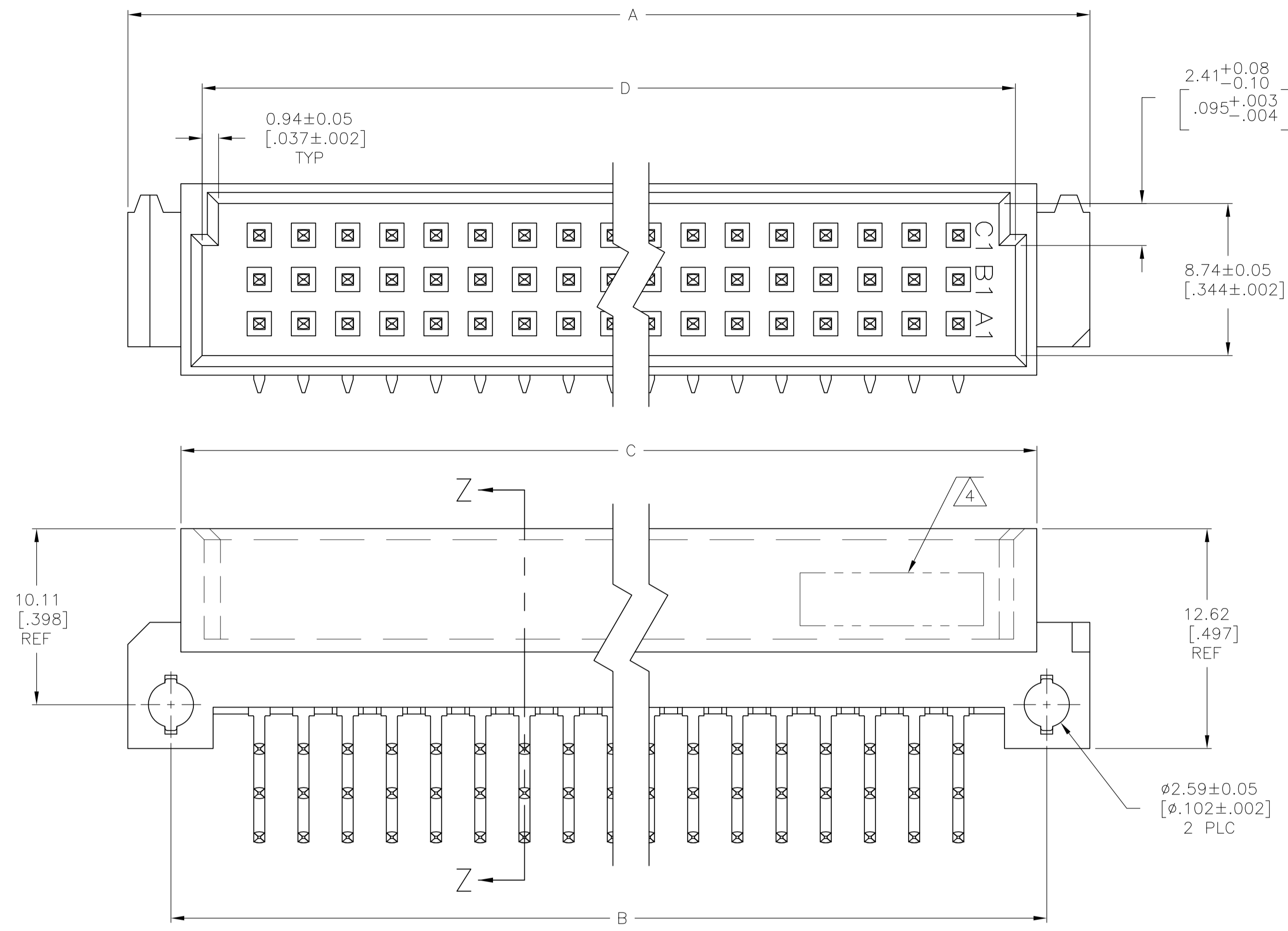
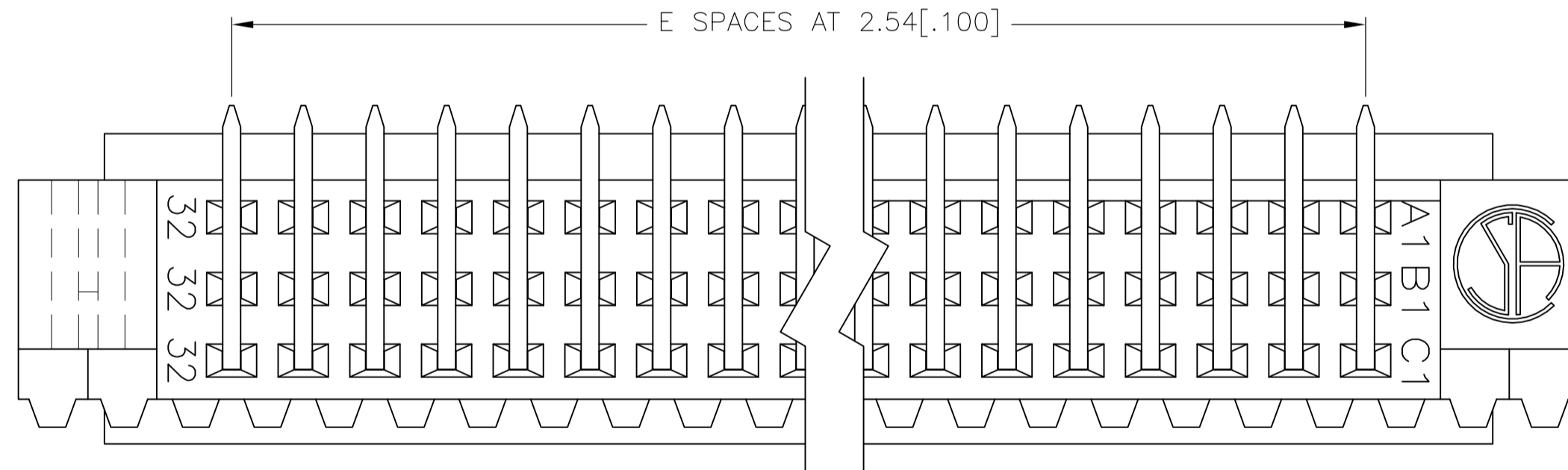


LOC		DIST		REVISIONS			
AD	00	REV	DATE	BY	APPV	DATE	BY
S	REVISED PER ECO-14-009163		18JUN2014	AP	RP		

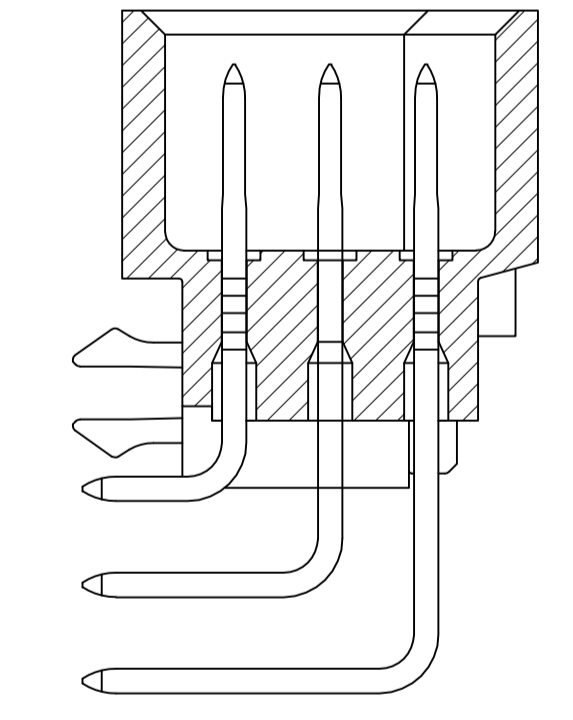
- 1 HOUSING MATERIAL: GLASS-FILLED POLYMER.
- 2 POST MATERIAL: COPPER ALLOY.
- 3 NICKEL UNDERPLATE 1.27UM [.000050] ON ALL CONTACTS.
- 4 PART NUMBER, DATE CODE MARKED THIS APPROXIMATE AREA.
- 5 MARKING ON THIS SIDE.
- 6 RECOMMENDED HOLE SIZE FOR MANUAL APPLICATION OF SOLDER CONNECTORS INTO PC BOARD. REFERENCE APPLICATION SPEC 114-9014 FOR RECOMMENDED PLATED THROUGH HOLE SIZE FOR PRESS-FIT APPLICATIONS



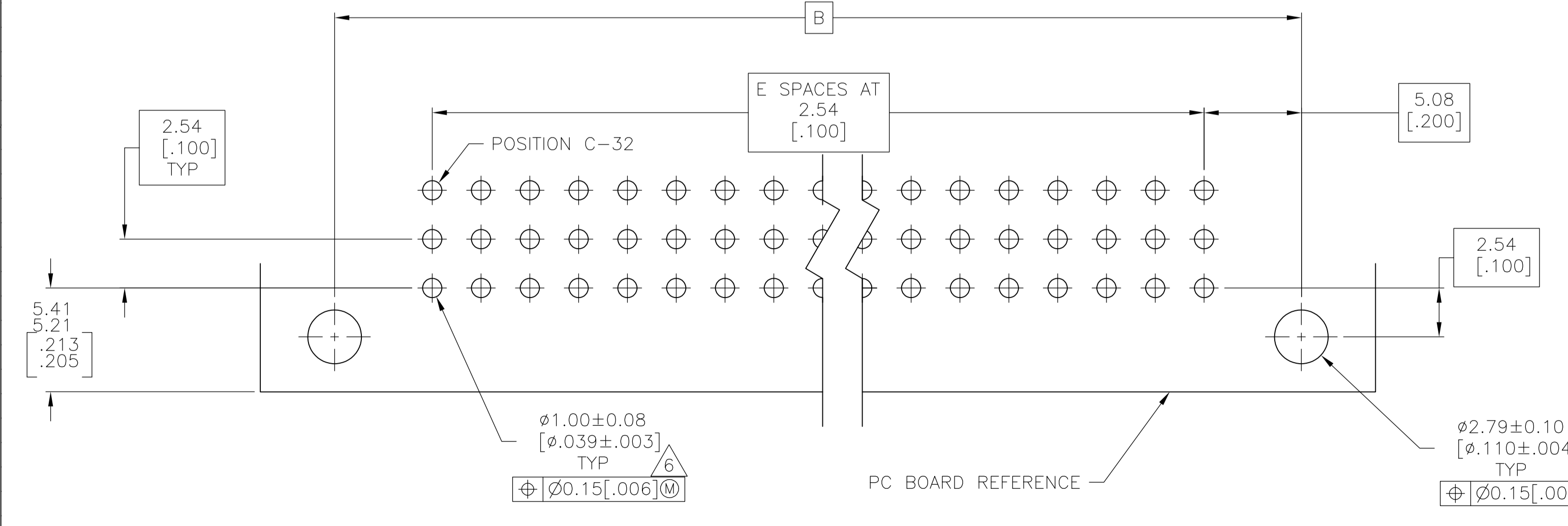
PRESS-FIT



SECTION Z-Z



BOARD LOCK



PC BOARD LAYOUT

ROW	NO. OF LOADED POSITIONS	HOUSING SIZE	ROHS COMPLIANT	ROHS COMPLIANT	NON ROHS COMPLIANT	ROHS COMPLIANT	ROHS COMPLIANT	ROHS COMPLIANT	ROHS COMPLIANT	ROHS COMPLIANT	ROHS COMPLIANT	ROHS COMPLIANT	ROHS COMPLIANT	ROHS COMPLIANT	ROHS COMPLIANT	ROHS COMPLIANT	ROHS COMPLIANT	ROHS COMPLIANT							
49	131.01	133.48	134.62	139.7	A-B-C	150	150												650907-5	5650915-5	5650907-5				
39	105.61	108.08	109.22	114.3	A-B-C	120	120												650906-5	5650914-5	5650906-5				
31	85.29	87.76	88.9	94.0	A-C	64	96	216432-4	216432-1										650945-3	536356-5	650945-5	5536356-5	5650945-5		
31	85.29	87.76	88.9	94.0	A-B-C	96		215605-4	215605-1	650473-8									650473-3	650913-5	650473-5	5650913-5	5650473-5		
15	44.65	47.12	48.26	53.34	A-C	32	48	106276-4											650946-3	650978-5	650946-5	5650978-5	5650946-5		
15	44.65	47.12	48.26	53.34	A-B-C	48		216398-4	216398-1										650478-3	148020-5	650478-5	5148020-5	5650478-5		
										Wave Solder	Wave Solder	Wave Solder	Wave Solder	Wave Solder	Wave Solder	Wave Solder	Wave Solder	Wave Solder	Press-fit	Press-fit	Wave Solder	Wave Solder	Reflow 260°C	Reflow 260°C	
										ROHS Compliant	ROHS Compliant	ROHS Compliant	ROHS Compliant	ROHS Compliant	ROHS Compliant	ROHS Compliant	ROHS Compliant	ROHS Compliant	ROHS Compliant	ROHS Compliant	ROHS Compliant	ROHS Compliant	ROHS Compliant	ROHS Compliant	
										DIN 41612 Level II	1.25um GOLD	DIN 41612 Level II	Gold Flash	DIN 41612 Level II	DIN 41612 Level II	DIN 41612 Level II	DIN 41612 Level II	DIN 41612 Level II	No Boardlock	No Boardlock	No Boardlock	No Boardlock	No Boardlock	No Boardlock	No Boardlock
										No Boardlock	No Boardlock	No Boardlock	No Boardlock	With Boardlock	No Boardlock	With Boardlock	No Boardlock	With Boardlock	No Boardlock	No Boardlock	No Boardlock	No Boardlock	No Boardlock	No Boardlock	No Boardlock

THIS DRAWING IS A CONTROLLED DOCUMENT. DIN L BRINER 2/13/91. CHK D.C. RUBENDALL 2/13/91. APVD D.C. RUBENDALL 2/13/91. NAME: ASSEMBLY, PIN EUROCARD, TYPE C, .104 SOLDER POST. MATERIAL: FINISH: APPLICATION SPEC: WEIGHT: A1 00779 C=650473. CUSTOMER DRAWING. SCALE: 5:1. SHEET 1 OF 1. REV S.

# Mouser Electronics

Authorized Distributor

Click to View Pricing, Inventory, Delivery & Lifecycle Information:

[TE Connectivity:](#)

[5650473-5](#)