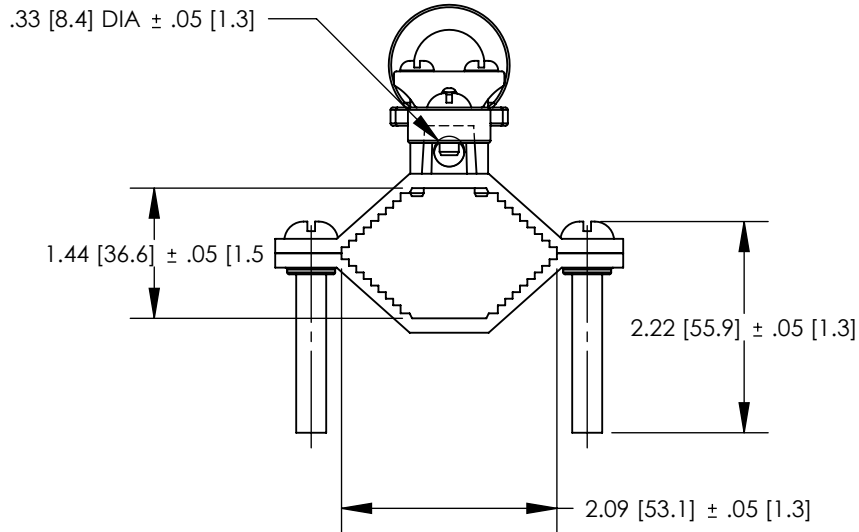
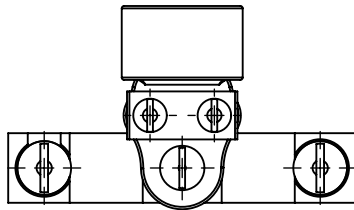


THIS COPY IS PROVIDED ON A RESTRICTED BASIS AND IS NOT TO BE USED IN ANY WAY DETRIMENTAL TO THE INTERESTS OF PANDUIT CORP.

NOTES:

1. MATERIAL:
BODY - BRONZE (GUN METAL)
SCREW - STEEL, ZINC PLATED
2. PARTS ARE cULus LISTED TO UL467 AS
GROUNDING & BONDING EQUIPMENT.
3. SEE WWW.PANDUIT.COM FOR PART NUMBER
SUFFIX DESIGNATION FOR PACKAGE SIZE.



PART NUMBER	DESCRIPTION	WATER PIPE	GROUNDING WIRE
GPCG2/0-2-12	GROUND CLAMP FOR RIGID CONDUIT 360 DEG. HUB CONDUIT 1/2"	1-1/4" - 2"	10 - 2/0 STR
GPCG2/0-2-34	GROUND CLAMP FOR RIGID CONDUIT 360 DEG. HUB CONDUIT 3/4"	1-1/4" - 2"	10 - 2/0 STR
GPCG3/0-2-1	GROUND CLAMP FOR RIGID CONDUIT 360 DEG. HUB CONDUIT 1"	1-1/4" - 2"	10 - 3/0 STR

REV	DATE	BY	CHK	APR	DESCRIPTION	ECN
00	7/12	JHNU	SRBI	RGB	DRAWING RELEASED	10J018AR-JC

TITLE BRONZE GROUND PIPE CLAMP - 1-1/4" - 2" CUSTOMER DRAWING	
ITEM REVISION NAME	10J018AR/00
DATASET FILE NAME	10J018AR-JC/00.SLDDRW
UNLESS OTHERWISE SPECIFIED, DIMENSIONAL TOLERANCES ARE: IN [mm]	
.X ±	.XXX ±
.XX ±	ANGLES ±
THIRD ANGLE PROJECTION	
DRAWN BY	JHNU
DATE	7/12
CHK	SRBI
SCALE	N/A
MATERIAL PANDUIT SEE NOTES	
DRAWING NUMBER 10J018AR-JC	
SHEET 1 OF 1	
SIZE A	

Mouser Electronics

Authorized Distributor

Click to View Pricing, Inventory, Delivery & Lifecycle Information:

[Panduit:](#)

[GPCG2/0-2-34-Q](#)