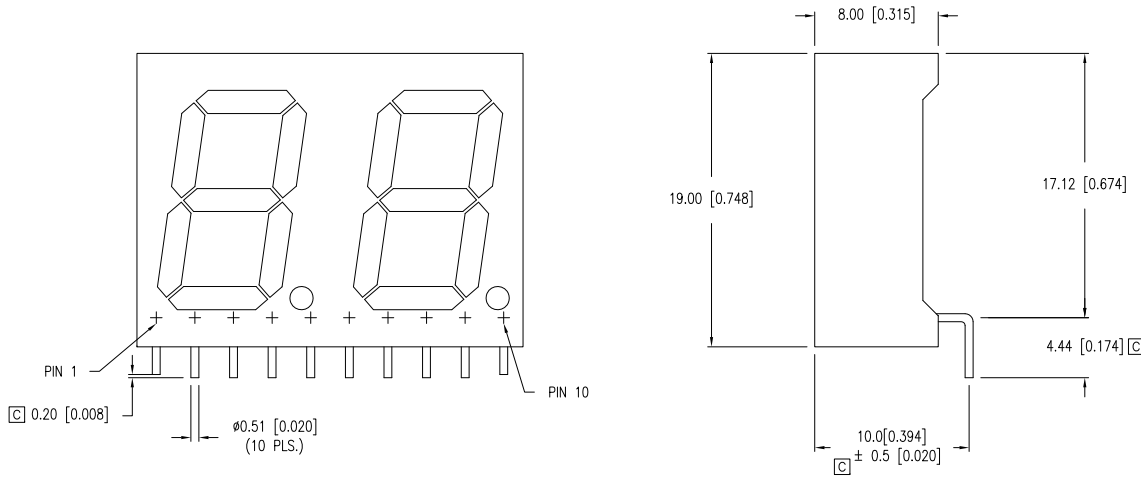


| | | | |
|-------------|-------------------------------------|------|------|
| PART NUMBER | LDD-M512RI-RA | REV. | C |
| DATE | E.C.N. NUMBER AND REVISION COMMENTS | | REV. |
| 04.26.96 | E.C.N. #10156. | | A |
| 02.17.99 | E.C.N. #10BRDR & REDRAWN. | | B |
| 05.19.10 | E.C.N. #11641. | | C |
| 10.13.15 | E.C.N. #11978 PIN LENGTH CHANGE. | | C |



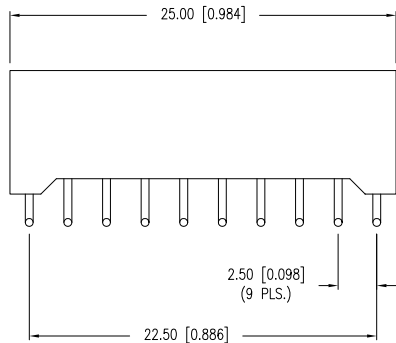
ELECTRO-OPTICAL CHARACTERISTICS $T_A=25^\circ\text{C}$ $I_f=10\text{mA}$

| PARAMETER | MIN | TYP | MAX | UNITS | TEST COND |
|-----------------|----------------------|------|-----|----------------|----------------------|
| PEAK WAVELENGTH | | 565 | | nm | |
| FORWARD VOLTAGE | | 2.1 | 2.6 | V_f | |
| REVERSE VOLTAGE | 5.0 | | | V_r | $I_r=100\mu\text{A}$ |
| AXIAL INTENSITY | | 3900 | | μcd | $I_f=10\text{mA}$ |
| EMITTED COLOR: | GREEN | | | | |
| FACE COLOR: | GRAY | | | | |
| SEGMENT COLOR: | MILKY WHITE DIFFUSED | | | | |

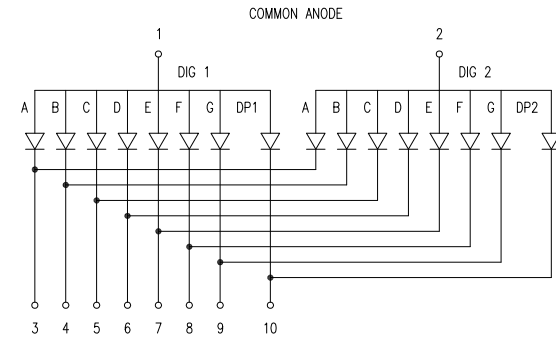
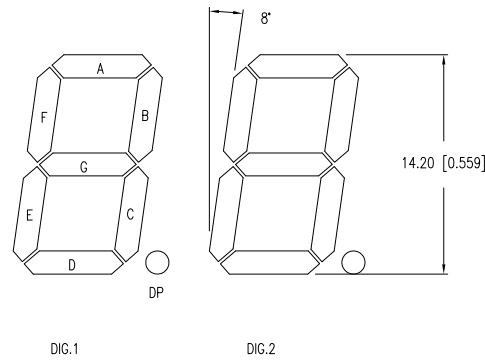
LIMITS OF SAFE OPERATION AT 25°C PER CHIP [C]

| PARAMETER | MAX | UNITS |
|-----------------------|------------|----------|
| PEAK FORWARD CURRENT* | 100 | mA |
| STEADY CURRENT | 25 | mA |
| POWER DISSIPATION | 65 | mW |
| DERATE FROM 25°C | - | mW/°C |
| OPERATING TEMP. | -35 TO +85 | °C |
| STORAGE TEMP. | -35 TO +85 | °C |
| SOLDERING TEMP. | +260 | °C |
| 2.0mm FROM BODY | 3 | SEC. MAX |

* $t < 10\mu\text{s}$



CHARACTER DETAIL



*UNLESS OTHERWISE SPECIFIED TOLERANCES PER DECIMAL PRECISION ARE: X=±1 (±0.039), X.X=±0.5 (±0.020), X.XX=±0.25 (±0.010), X.XXX=±0.127 (±0.005). LEAD SIZE=±0.05 (±0.002), LEAD LENGTH=±0.75 (±0.030). MIN.= +DECIMAL PRECISION -0.00, MAX.= -DECIMAL PRECISION



425 N. GARY AVE.
CAROL STREAM, IL 60188
PHONE: +1.800.278.5666
FAX: +1.630.315.2152
WEB: WWW.LUMEX.COM

0.56" 7 SEGMENT, DUAL DIGIT DISPLAY, 565nm CHIPS, GRAY FACE WITH WHITE SEGMENTS, RIGHT ANGLE LEADS.

THE SPECIFICATIONS MAY CHANGE AT ANY TIME WITHOUT NOTICE DUE TO NEW MATERIALS OR PRODUCT IMPROVEMENT.

CONFIDENTIAL INFORMATION
THE INFORMATION CONTAINED IN THIS DOCUMENT IS THE PROPERTY OF LUMEX INC. EXCEPT AS SPECIFICALLY AUTHORIZED IN WRITING BY LUMEX INC., THE HOLDER OF THIS DOCUMENT SHALL KEEP ALL INFORMATION CONTAINED HEREIN CONFIDENTIAL AND SHALL PROTECT SAME IN WHOLE OR IN PART FROM DISCLOSURE AND DISSEMINATION TO ALL THIRD PARTIES.

| | | | |
|--------|-----------|-----------|------|
| DATE: | 12.05.15 | DRAWN BY: | KC |
| PAGE: | 1 OF 1 | CHKD BY: | SS |
| SCALE: | N/A | APRVD BY: | KF |
| UNIT: | mm [INCH] | | (Pb) |

Mouser Electronics

Authorized Distributor

Click to View Pricing, Inventory, Delivery & Lifecycle Information:

[Lumex:](#)

[LDD-M512RI-RA](#)