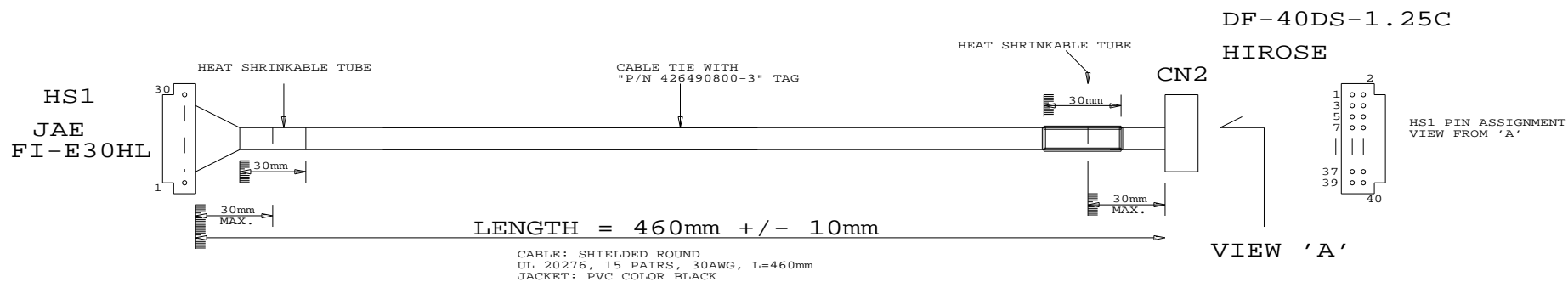
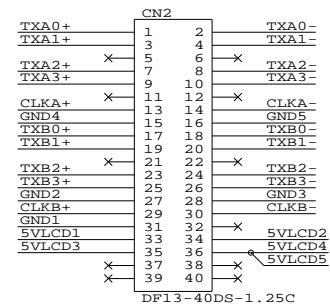
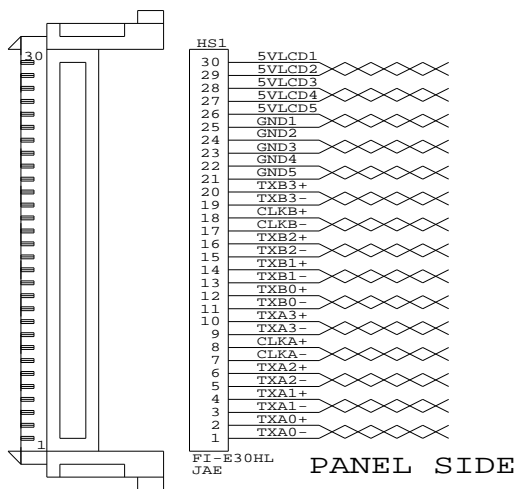


TOLERANCE :
+10mm
-10mm



USAGE:
CABLE FOR SAMSUNG LTA460H2-L02
(WITH SVH-1920)

P/N 426490800-3
LVDS PANEL CABLE: LTA460H2-L02, 460mm

RoHS
COMPLIANCE

DIGITAL VIEW LTD. COPYRIGHT 2005, ALL RIGHTS RESERVED CONFIDENTIAL		
DRAWN BY: VICTOR NG		
Title	P.CABLE: SAMSUNG LTA460H2-L02, 460mm	
Size	Document Number	
B	(...\DV\DV_CABLE\C6490800.SCH)	REV 02
Date:	August 29, 2006	Sheet 1 of 1

Mouser Electronics

Authorized Distributor

Click to View Pricing, Inventory, Delivery & Lifecycle Information:

[Digital View:](#)

[426490800-3](#)