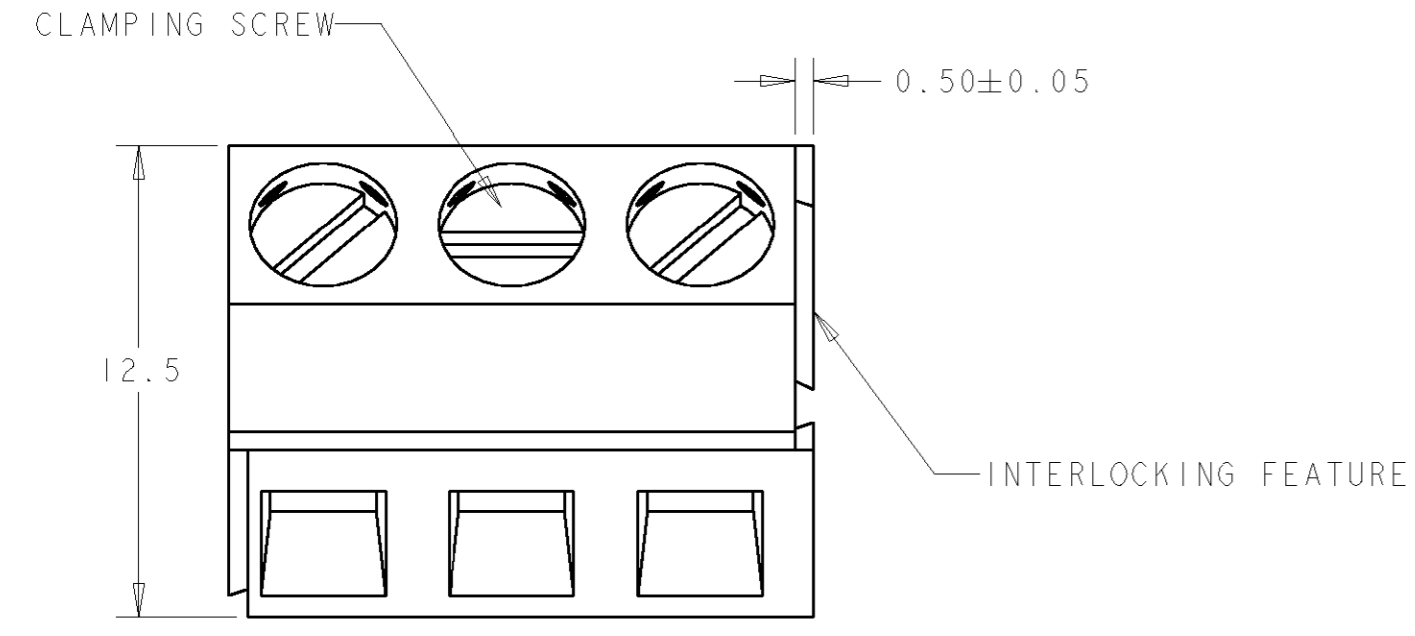
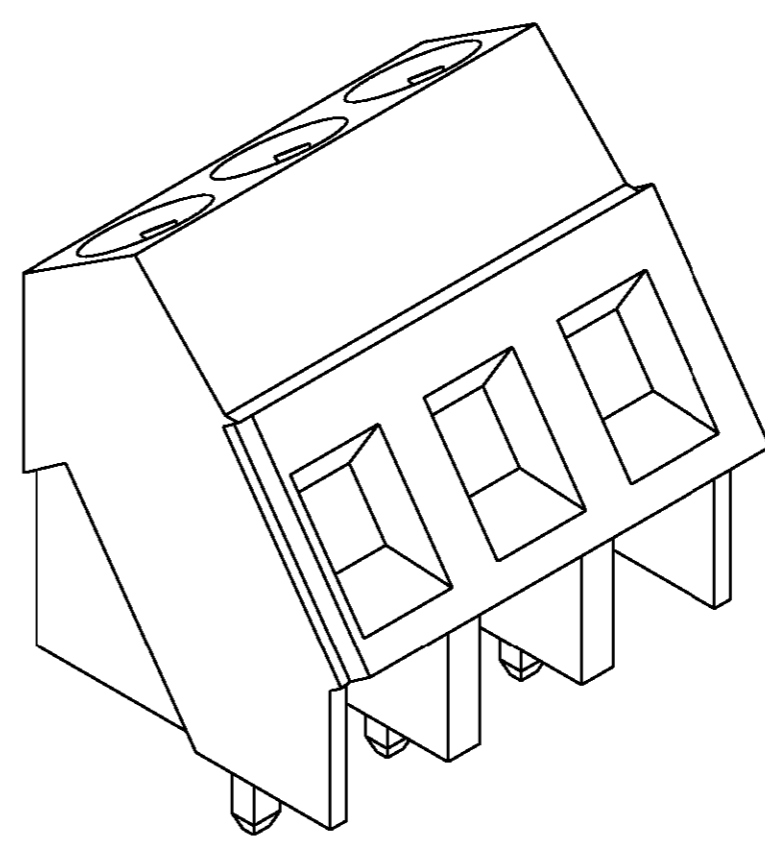
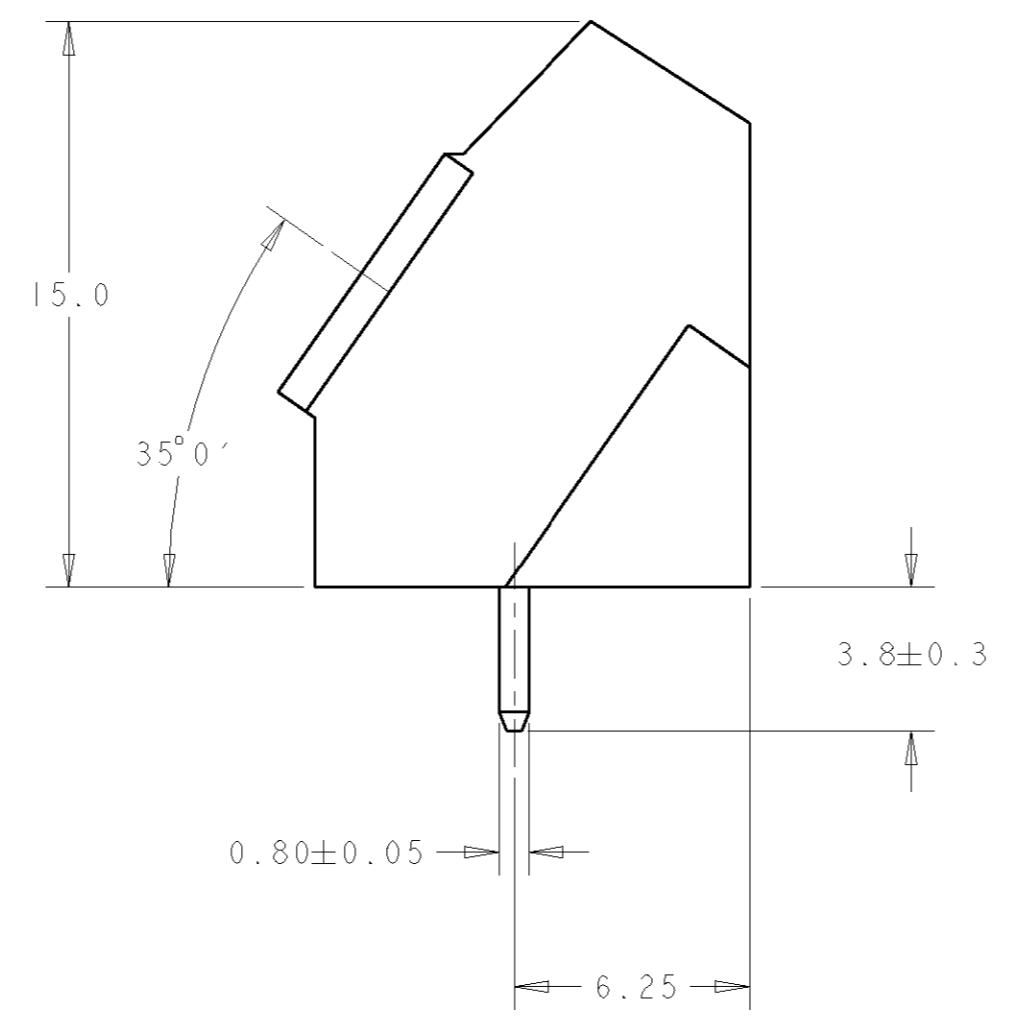
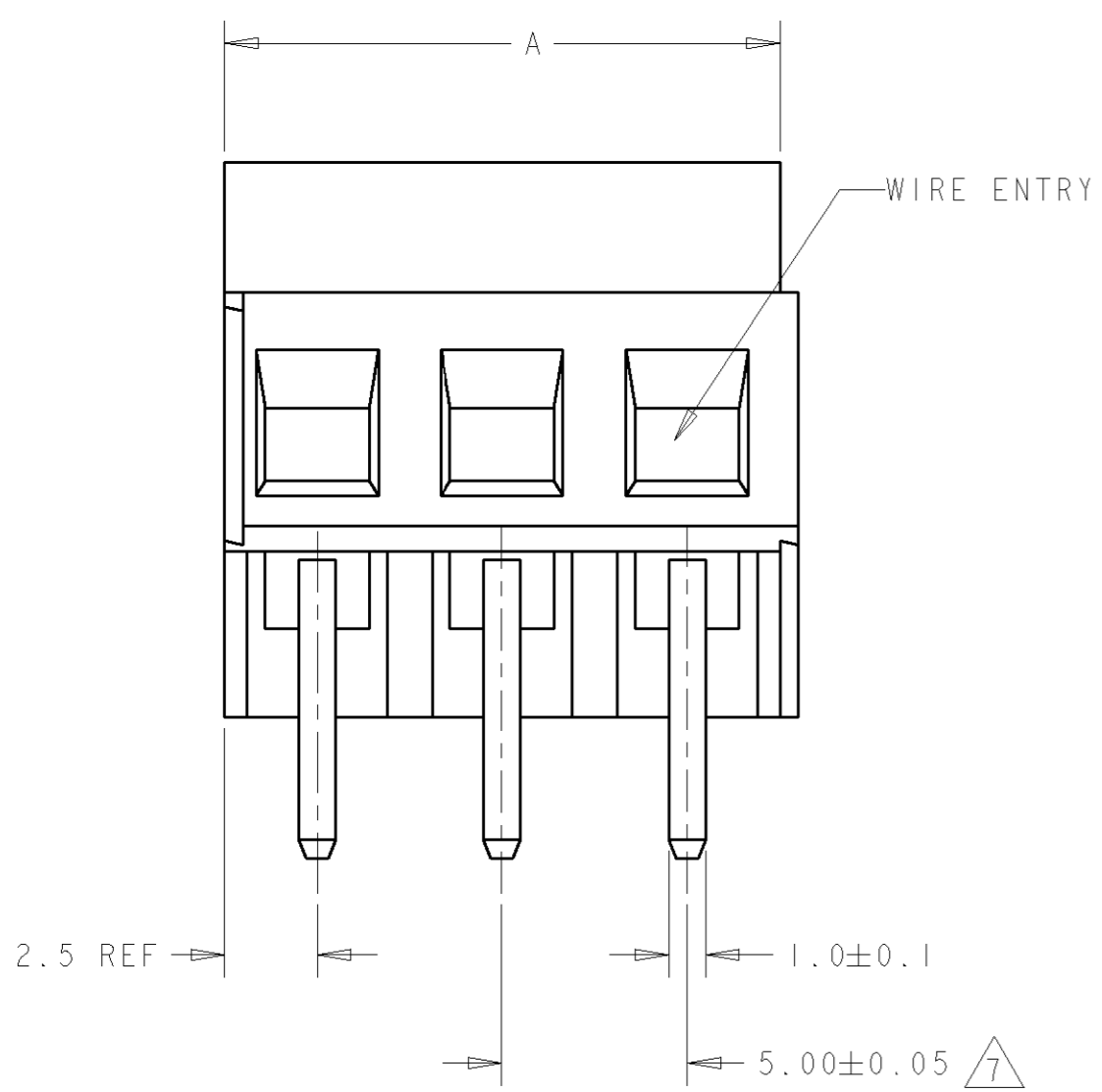


THIS DRAWING IS UNPUBLISHED. RELEASED FOR PUBLICATION 20
 © COPYRIGHT 20 BY TYCO ELECTRONICS CORPORATION. ALL RIGHTS RESERVED.

LOC	DIST	REVISIONS					
FT	0	P	LTR	DESCRIPTION	DATE	DWN	APVD
		A		RELEASED	01MAR2001	EZ	DB
		B		REVISED EC 0G3B-0167-02	16JAN2003	SW	CR

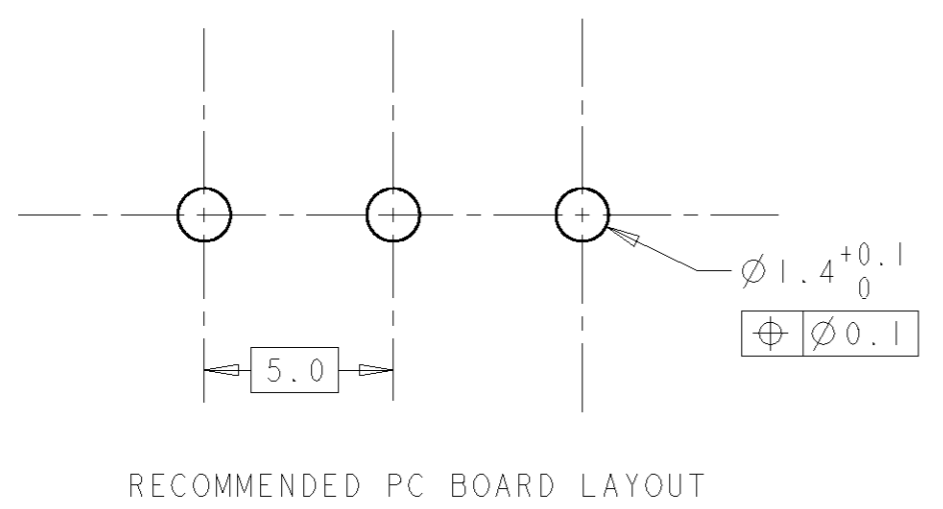


1. MATERIALS AND FINISH
 HOUSING: PA 6-6, UL 94-V0, COLOR BLUE
 CLAMP: BRASS, TIN PLATED.
 CLAMPING SCREW: M3, BRASS, NICKEL PLATED.
2. SUITABLE FOR 1.6-2.4mm PCB THICKNESS
3. END-TO-END STACKABLE W/INTERLOCK, WITHOUT LOSS OF CENTERLINE SPACING.
4. WIRE SIZE RANGE: 12-30 AWG
5. RECOGNIZED UNDER THE COMPONENT PROGRAM OF UNDERWRITERS LABORATORY INC. FILE No. E60677
6. IMQ CERTIFICATE WITH SURVEILLANCE IN CONFORMITY WITH IEC 998-1/998-2-1.
7. NOT CUMULATIVE TOLERANCE.



796688-3 AS SHOWN

DIM. A	No. POS.	PART NUMBER
120	24	2-796688-4
115	23	2-796688-3
110	22	2-796688-2
105	21	2-796688-1
100	20	2-796688-0
95	19	1-796688-9
90	18	1-796688-8
85	17	1-796688-7
80	16	1-796688-6
75	15	1-796688-5
70	14	1-796688-4
65	13	1-796688-3
60	12	1-796688-2
55	11	1-796688-1
50	10	1-796688-0
45	9	796688-9
40	8	796688-8
35	7	796688-7
30	6	796688-6
25	5	796688-5
20	4	796688-4
15	3	796688-3
10	2	796688-2



THIS DRAWING IS A CONTROLLED DOCUMENT FOR TYCO ELECTRONICS CORPORATION. IT IS SUBJECT TO CHANGE AND THE CONTROLLING ENGINEERING ORGANIZATION SHOULD BE CONTACTED FOR THE LATEST REVISION.		DWN E. ZANOLINI 28FEB2001	BUCHANAN Tyco Electronics Harrisburg, PA 17105-3608	
DIMENSIONS: mm		CHK E. ZANOLINI 28FEB2001		
TOLERANCES UNLESS OTHERWISE SPECIFIED: 0 PLC ± 1 PLC ±0.2 2 PLC ±0.2 3 PLC ± 4 PLC ±		APVD D. BLEVENOUR 28FEB2001	NAME TERMINAL BLOCK, PCB MOUNT ANGLED ENTRY WIRE, STACKING W/INTERLOCK, 5mm PITCH	
MATERIAL		PRODUCT SPEC -	SIZE A2	CAGE CODE 00779
ANGLES		APPLICATION SPEC -	DRAWING NO G-796688	RESTRICTED TO -
FINISH		WEIGHT -	SCALE 5:1	SHEET 1 OF 1
FINISH		CUSTOMER DRAWING	REV B	

Mouser Electronics

Authorized Distributor

Click to View Pricing, Inventory, Delivery & Lifecycle Information:

[TE Connectivity:](#)

[796688-3](#)