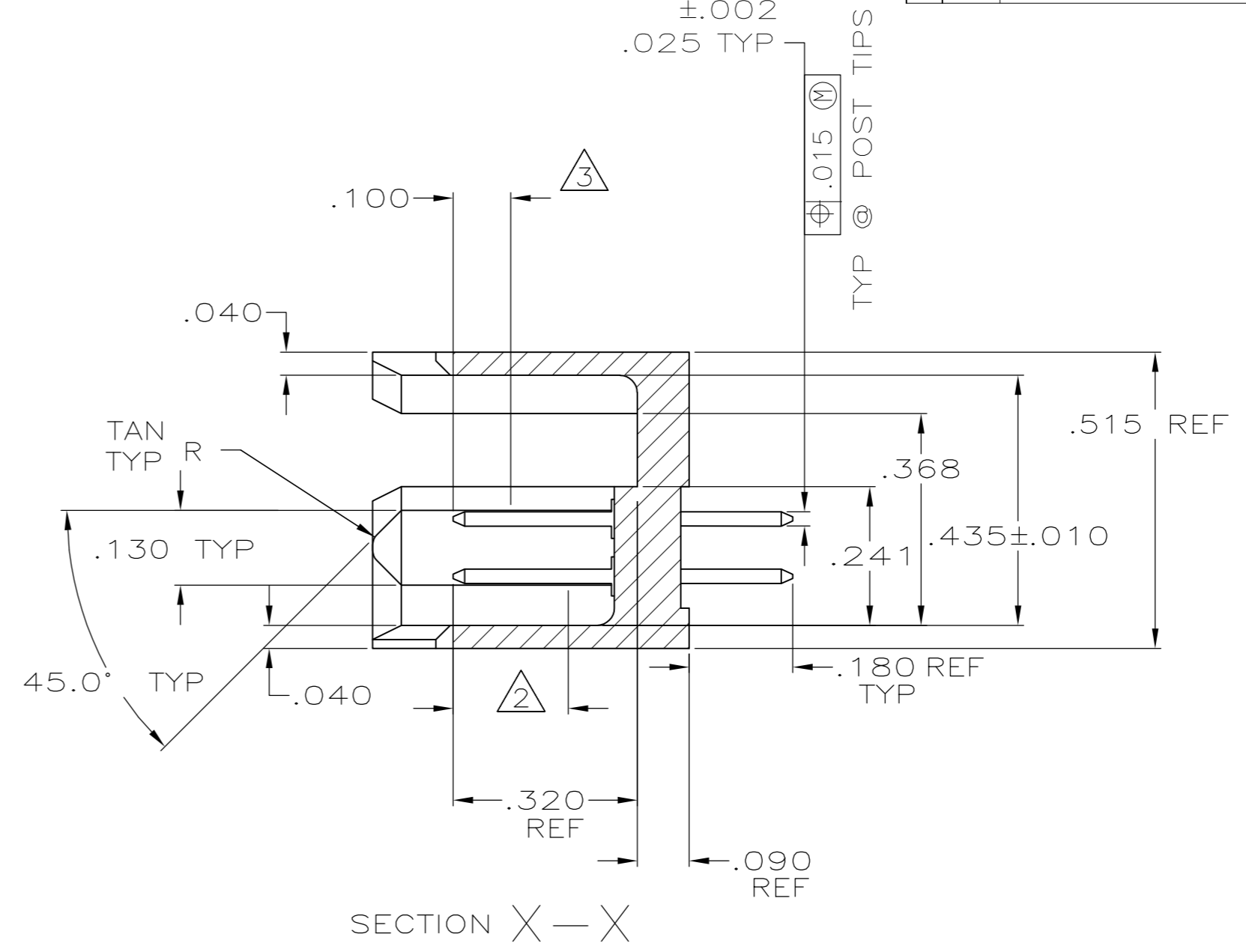
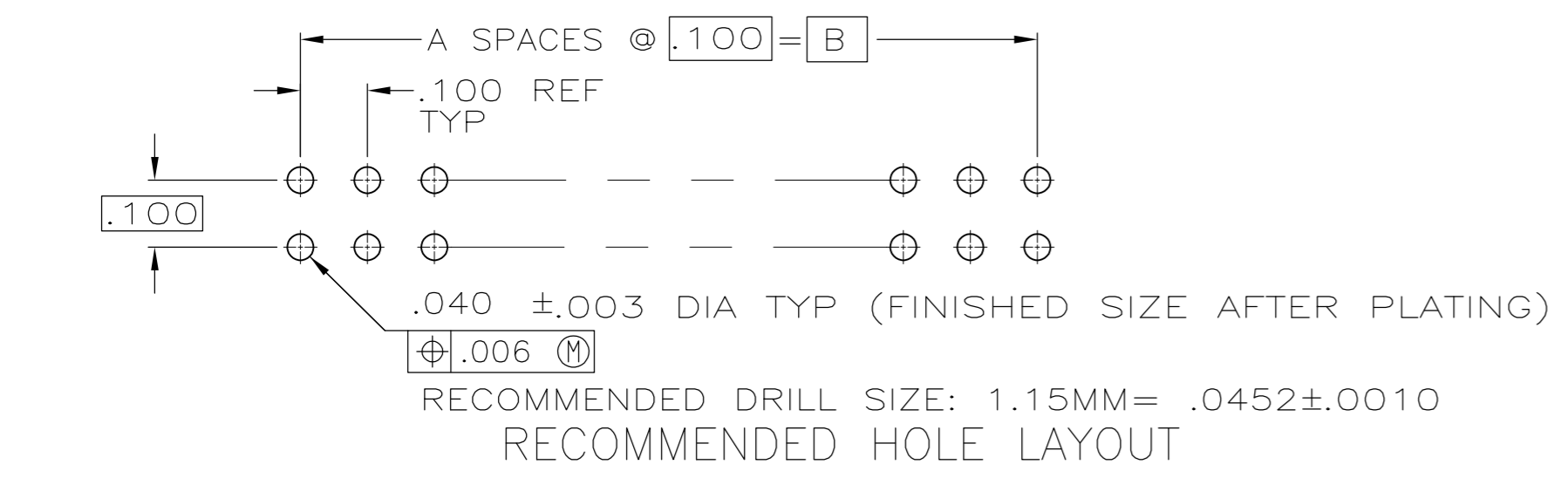


THIS DRAWING IS UNPUBLISHED. RELEASED FOR PUBLICATION  
 © COPYRIGHT - By - ALL RIGHTS RESERVED.

Loc		DIST		REVISIONS			
P	LTR	DESCRIPTION	DATE	DWN	APVD		
AD	00						
	N5	REVISED PER ECO-11-004587	11MAR11	RK	HMR		



SECT Y-Y



SECTION X-X

- ① FINISH OVER INDICATED AREA: .000100-.000200 BRIGHT TIN LEAD OVER .000050 NICKEL.
- ② FINISH OVER INDICATED AREA: .000015 GOLD OVER .000050 NICKEL.
- ③ POINT OF MEASUREMENT FOR PLATING THICKNESS.
- ④ RECESSED DATE CODE AND CSA LOGO.
- ⑤ OBSOLETE PART NUMBER.
- ⑥ FINISH OVER INDICATED AREA: .000100-.000200 MATTE TIN OVER .000050 NICKEL.
- ⑦ PRELIMINARY PART.
- ⑧ ROHS 2002/95/EC COMPLIANT
- ⑨ HEADER: GLASS-FILLED, FLAME RETARDANT THERMOPLASTIC COLOR: BLACK POST: COPPER ALLOY
- ⑩ OBSOLETE PARTS: OBSOLETE CIS STREAMLINING PER D.RENAUD/D.SINISI

THIS DRAWING IS A CONTROLLED DOCUMENT.		DWN	B. HAYMAKER	30MAR00		TE Connectivity	
DIMENSIONS: mm		CHK	J. GESFORD	30MAR00		NAME	
TOLERANCES UNLESS OTHERWISE SPECIFIED:		APVD	J. GESFORD	30MAR00	PRODUCT SPEC		
0 PLC ± -		APPLICATION SPEC		SIZE		CAGE CODE	DRAWING NO
1 PLC ± -		MATERIAL		A2		00779	C=102567
2 PLC ± -		FINISH		WEIGHT		RESTRICTED TO	
3 PLC ± .005		SEE NOTES		CUSTOMER DRAWING		SCALE 4:1 SHEET 1 of 2 REV N5	
4 PLC ± -							
ANGLES ± -							

THIS DRAWING IS UNPUBLISHED. RELEASED FOR PUBLICATION  
 © COPYRIGHT - By - ALL RIGHTS RESERVED.

LOC	DIST	REVISIONS					
AD	00	P	LTR	DESCRIPTION	DATE	DWN	APVD
		-		SEE SHEET 1	-	-	-

$\triangle 5$		1.870	1.980	1.900	1.500	15	32	$\triangle 8$	7-102567-9
$\triangle 10$	OBSOLETE	9.270	9.380	9.300	8.900	89	180	$\triangle 8$	7-102567-8
$\triangle 5$		7.670	7.780	7.700	7.300	73	148	$\triangle 8$	7-102567-7
$\triangle 5$		6.670	6.780	6.700	6.300	63	128	$\triangle 8$	7-102567-6
$\triangle 5$		4.970	5.080	5.000	4.600	46	94	$\triangle 8$	7-102567-5
$\triangle 5$		2.470	2.580	2.500	2.100	21	44	$\triangle 8$	7-102567-4
$\triangle 10$	OBSOLETE	.970	1.080	1.000	.600	6	14	$\triangle 8$	7-102567-3
$\triangle 5$		8.270	8.380	8.300	7.900	79	160	$\triangle 8$	7-102567-2
$\triangle 10$	OBSOLETE	10.270	10.380	10.300	9.900	99	200	$\triangle 8$	7-102567-1
$\triangle 5$		7.270	7.380	7.300	6.900	69	140	$\triangle 8$	7-102567-0
$\triangle 10$	OBSOLETE	6.770	6.880	6.800	6.400	64	130	$\triangle 8$	6-102567-9
$\triangle 5$		1.070	1.180	1.100	.700	7	16	$\triangle 8$	6-102567-8
$\triangle 10$	OBSOLETE	4.570	4.680	4.600	4.200	42	86	$\triangle 8$	6-102567-7
		3.870	3.980	3.900	3.500	35	72	$\triangle 8$	6-102567-6
		5.770	5.880	5.800	5.400	54	110	$\triangle 8$	6-102567-5
$\triangle 10$	OBSOLETE	4.770	4.880	4.800	4.400	44	90	$\triangle 8$	6-102567-4
$\triangle 2$	$\triangle 6$	1.770	1.880	1.800	1.400	14	30	$\triangle 8$	6-102567-3
		2.270	2.380	2.300	1.900	19	40	$\triangle 8$	6-102567-2
		1.270	1.380	1.300	.900	9	20	$\triangle 8$	6-102567-1
		3.770	3.880	3.800	3.400	34	70	$\triangle 8$	6-102567-0
$\triangle 10$	OBSOLETE	5.270	5.380	5.300	4.900	49	100	$\triangle 8$	5-102567-9
		4.270	4.380	4.300	3.900	39	80	$\triangle 8$	5-102567-8
$\triangle 10$	OBSOLETE	6.270	6.380	6.300	5.900	59	120	$\triangle 8$	5-102567-7
		2.770	2.880	2.800	2.400	24	50	$\triangle 8$	5-102567-6
$\triangle 10$	OBSOLETE	5.070	5.180	5.100	4.700	47	96	$\triangle 8$	5-102567-5
		3.270	3.380	3.300	2.900	29	60	$\triangle 8$	5-102567-4
		2.070	2.180	2.100	1.700	17	36	$\triangle 8$	5-102567-3
		1.470	1.580	1.500	1.100	11	24	$\triangle 8$	5-102567-2
		.870	.980	.900	.500	5	12	$\triangle 8$	5-102567-1
FINISH		E	D	C	B	A	NO. OF POSN		PART NUMBER

SUPERSEDED BY 5-102567-1										$\triangle 2$	$\triangle 6$	.870	.980	.900	.500	5	12	3-102567-0
$\triangle 8$	$\triangle 7$	OBSOLETE		1.870	1.980	1.900	1.500	15	32			2-102567-9						
$\triangle 10$		OBSOLETE		9.270	9.380	9.300	8.900	89	180			2-102567-8						
		OBSOLETE		7.670	7.780	7.700	7.300	73	148			2-102567-7						
		OBSOLETE		6.670	6.780	6.700	6.300	63	128			2-102567-6						
		OBSOLETE		4.970	5.080	5.000	4.600	46	94			2-102567-5						
		OBSOLETE		2.470	2.580	2.500	2.100	21	44			2-102567-4						
				.970	1.080	1.000	.600	6	14			2-102567-3						
		OBSOLETE		8.270	8.380	8.300	7.900	79	160			2-102567-2						
				10.270	10.380	10.300	9.900	99	200			2-102567-1						
		OBSOLETE		7.270	7.380	7.300	6.900	69	140			2-102567-0						
				6.770	6.880	6.800	6.400	64	130			1-102567-9						
		OBSOLETE		1.070	1.180	1.100	.700	7	16			1-102567-8						
$\triangle 10$		OBSOLETE		4.570	4.680	4.600	4.200	42	86			1-102567-7						
				3.870	3.980	3.900	3.500	35	72			1-102567-6						
				5.770	5.880	5.800	5.400	54	110			1-102567-5						
$\triangle 10$		OBSOLETE		4.770	4.880	4.800	4.400	44	90			1-102567-4						
				1.770	1.880	1.800	1.400	14	30			1-102567-3						
				2.270	2.380	2.300	1.900	19	40			1-102567-2						
				1.270	1.380	1.300	.900	9	20			1-102567-1						
				3.770	3.880	3.800	3.400	34	70			1-102567-0						
$\triangle 10$		OBSOLETE		5.270	5.380	5.300	4.900	49	100			102567-9						
				4.270	4.380	4.300	3.900	39	80			102567-8						
$\triangle 10$		OBSOLETE		6.270	6.380	6.300	5.900	59	120			102567-7						
				2.770	2.880	2.800	2.400	24	50			102567-6						
$\triangle 10$		OBSOLETE		5.070	5.180	5.100	4.700	47	96			102567-5						
				3.270	3.380	3.300	2.900	29	60			102567-4						
				2.070	2.180	2.100	1.700	17	36			102567-3						
				1.470	1.580	1.500	1.100	11	24			102567-2						
				.870	.980	.900	.500	5	12			102567-1						
FINISH		E	D	C	B	A	NO. OF POSN		PART NUMBER									

THIS DRAWING IS A CONTROLLED DOCUMENT.		DWN B. HAYMAKER	30MAR00	<b>STE</b> TE Connectivity	
DIMENSIONS: mm		CHK J. GESFORD	30MAR00		
TOLERANCES UNLESS OTHERWISE SPECIFIED:		APVD J. GESFORD	30MAR00	NAME HEADER ASSEMBLY, MOD II, .100 X .100CL	
0 PLC ± -		PRODUCT SPEC		SIZE A2	
1 PLC ± -		APPLICATION SPEC		CAGE CODE 00779	
2 PLC ± -				DRAWING NO C=102567	
3 PLC ± .005				RESTRICTED TO	
4 PLC ± -				SCALE 4:1	
ANGLES ± -				SHEET 2 of 2	
FINISH SEE NOTES		WEIGHT -		REV N5	
MATERIAL -		CUSTOMER DRAWING			

# Mouser Electronics

Authorized Distributor

Click to View Pricing, Inventory, Delivery & Lifecycle Information:

[TE Connectivity:](#)

[102567-6](#)