

## DIN rail perforated - NS 35/ 7,5 PERF 1155MM - 1207666

Please be informed that the data shown in this PDF Document is generated from our Online Catalog. Please find the complete data in the user's documentation. Our General Terms of Use for Downloads are valid (<http://phoenixcontact.com/download>)



NS 35 DIN rail, height 7.5 mm, length 1155 mm



### Key Commercial Data

Packing unit	1 pc
Minimum order quantity	10 pc
Weight per Piece (excluding packing)	365.0 g
Custom tariff number	72166190
Country of origin	Germany

### Technical data

#### Dimensions

Height	7.5 mm
Length	1155 mm
Width	35 mm

#### General

Material	Steel
Coating	Galvanized, passivated with a thick layer
Color	silver
Test standard	In acc. with EN 60715: 2001

#### Standards and Regulations

Test standard	In acc. with EN 60715: 2001
Connection in acc. with standard	IEC / EN

## DIN rail perforated - NS 35/ 7,5 PERF 1155MM - 1207666

### Classifications

#### eCl@ss

eCl@ss 4.0	27110804
eCl@ss 4.1	27110804
eCl@ss 5.0	27141143
eCl@ss 5.1	27141143
eCl@ss 6.0	27400602
eCl@ss 7.0	27400602
eCl@ss 8.0	27400602
eCl@ss 9.0	27400602

#### ETIM

ETIM 2.0	EC001285
ETIM 3.0	EC001285
ETIM 4.0	EC000212
ETIM 5.0	EC000212

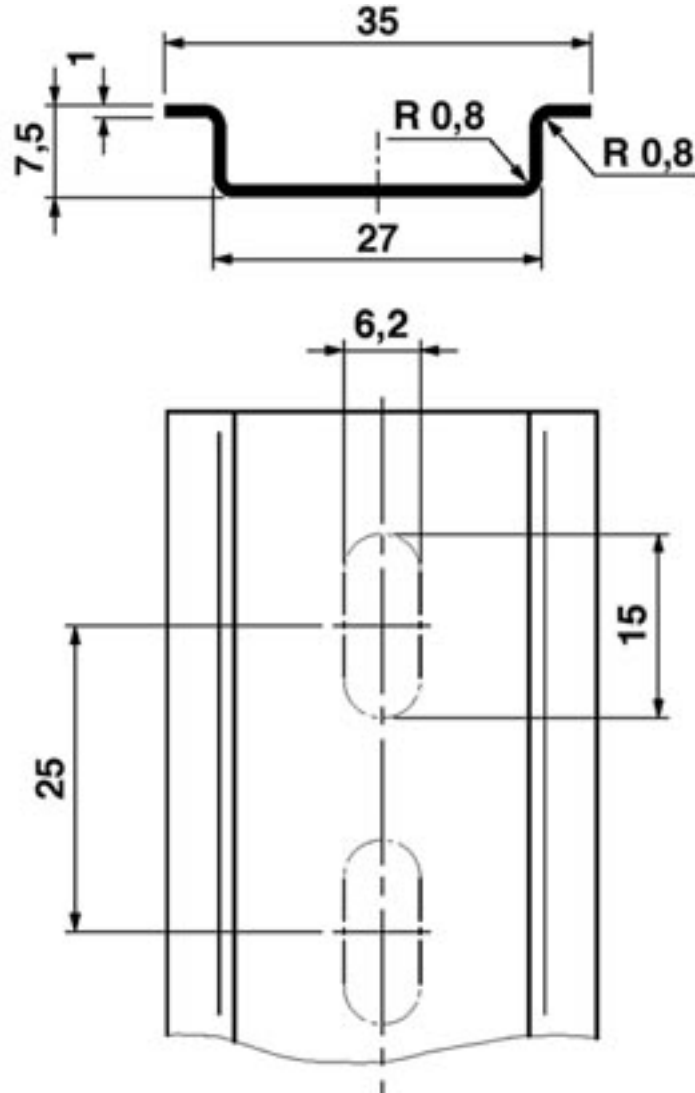
#### UNSPSC

UNSPSC 6.01	30212109
UNSPSC 7.0901	39121708
UNSPSC 11	39121708
UNSPSC 12.01	39121708
UNSPSC 13.2	39121708

### Drawings

# DIN rail perforated - NS 35/ 7,5 PERF 1155MM - 1207666

Dimensional drawing



# Mouser Electronics

Authorized Distributor

Click to View Pricing, Inventory, Delivery & Lifecycle Information:

[Phoenix Contact:](#)

[1207666](#)