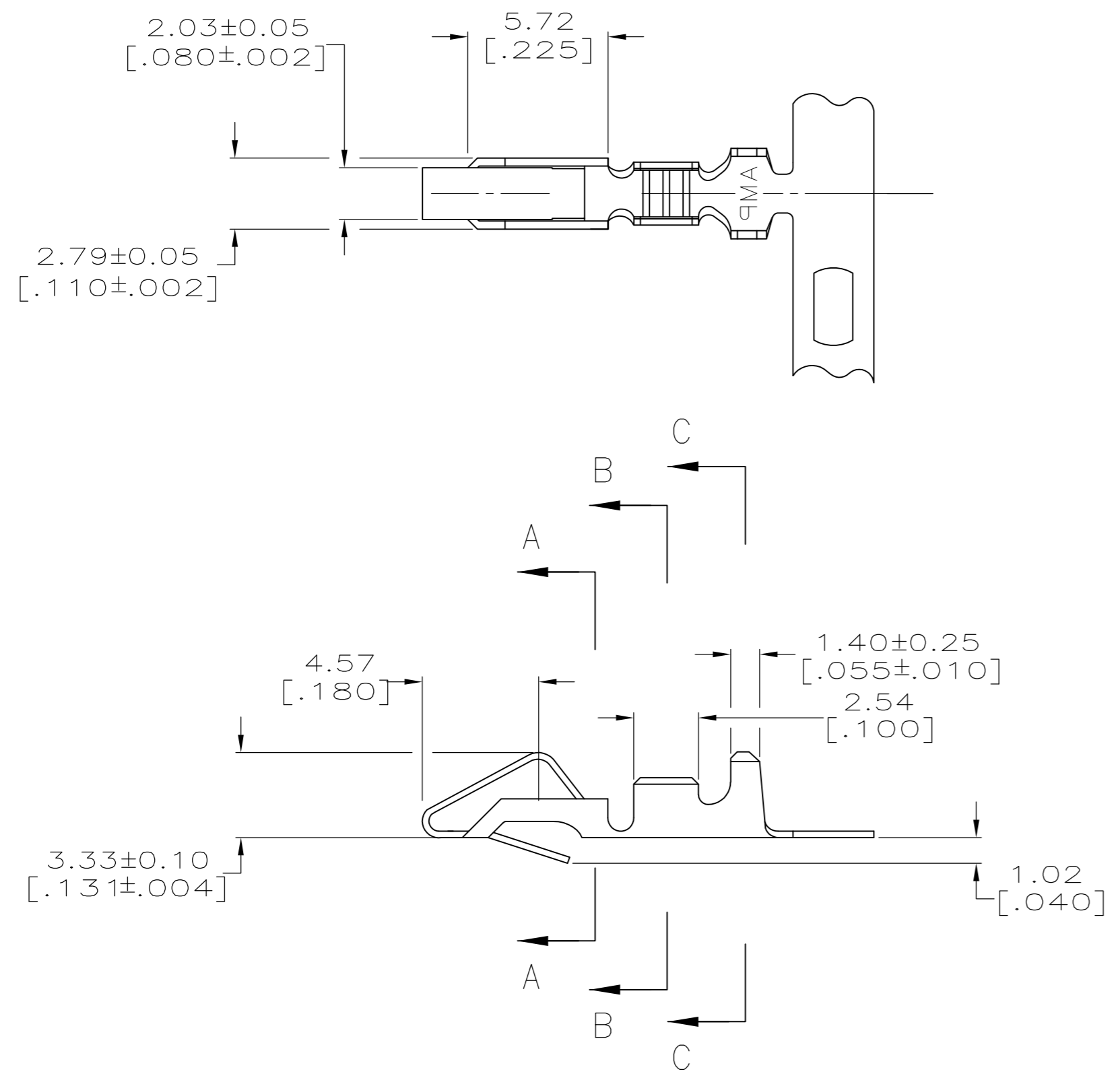
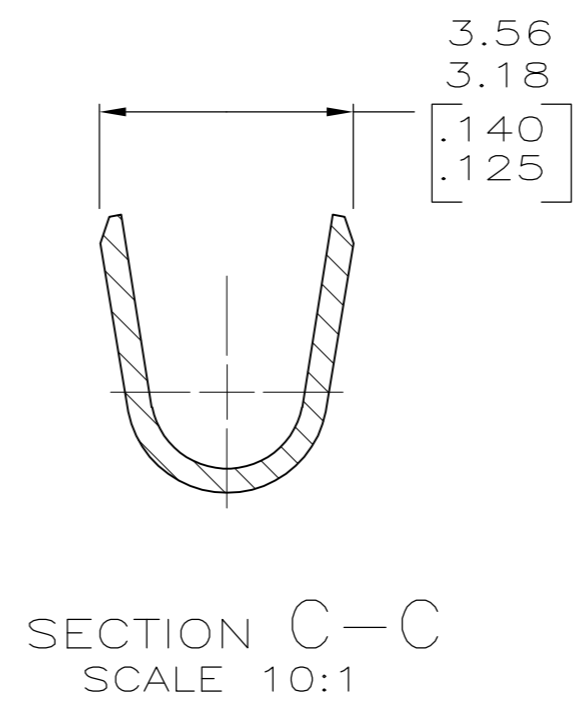
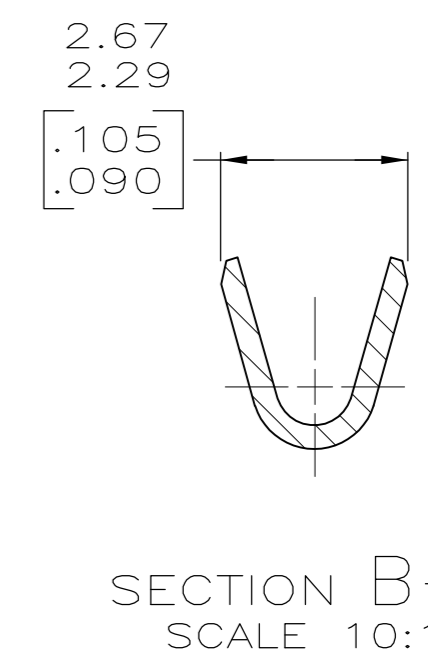
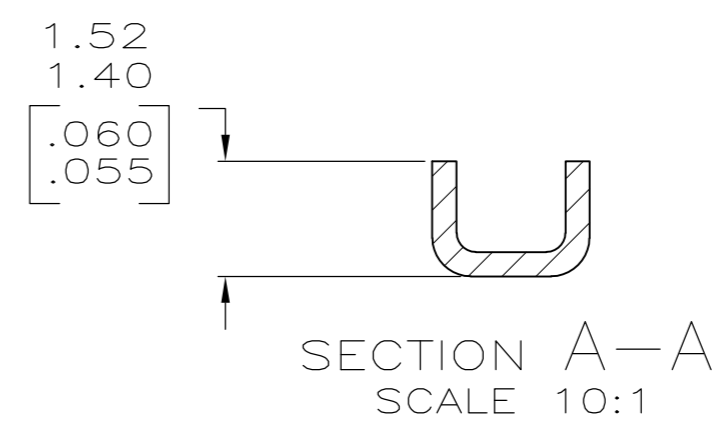


THIS DRAWING IS UNPUBLISHED. RELEASED FOR PUBLICATION
 © COPYRIGHT - By - ALL RIGHTS RESERVED.

LOC		DIST		REVISIONS			
P	LTR	DESCRIPTION		DATE	DWN	APVD	
CM	0	R2		REVISED PER ECO-11-004587	11MAR11	RK HMR	



- ① 0.00203 [.000080] MIN BRIGHT TIN-LEAD OVER 0.00127 [.000050] MIN NICKEL.
- ② 0.00330 [.000130] MAX PRE-TIN.
- ③ 0.00013 [.000005] GOLD OVER 0.00127 [.000050] MIN NICKEL ALL OVER AND 0.00076 [.000030] MIN GOLD ON CONTACT AREA.
- 4. WIRE RANGE: 0.2-0.9mm² (24-18 AWG). INSULATION RANGE: 2.79 [.110] DIA MAX.
- 5. DIMENSIONS IN BRACKETS ARE IN INCHES.
- ⑥ 0.00013 [.000005] GOLD OVER 0.00127 [.000050] MIN NICKEL ALL OVER AND 0.00038 [.000015] MIN GOLD ON CONTACT AREA.
- ⑦ 0.00203 [.000080] MIN BRIGHT TIN OVER 0.00127 [.000050] MIN NICKEL.



—	⑦	3-350980-1
—	⑥	350980-4
SEE 770258-1	③	350980-3
—	②	350980-2
SEE 640707-1	①	350980-1
LOOSE PIECE	FINISH	PART NO

METRIC

THIS DRAWING IS A CONTROLLED DOCUMENT.		DWN K. SALMON 11-2-92	STE TE Connectivity	
DIMENSIONS: INCHES		CHK R. SWING 11-2-92		
TOLERANCES UNLESS OTHERWISE SPECIFIED:		APVD E. BEILES 11-2-92	NAME RECEPTACLE, SL-156	
0 PLC ± -		PRODUCT SPEC	SIZE A2	
1 PLC ± -		APPLICATION SPEC	CAGE CODE 00779	
2 PLC ± 0.13 [.005]		—	DRAWING NO C-350980	
3 PLC ± -		—	RESTRICTED TO —	
4 PLC ± -		—	SCALE 5:1	
ANGLES ± -		WEIGHT —	SHEET 1 of 1	
MATERIAL 0.33 [.013] BRASS		FINISH SEE TABLE	REV R2	
CUSTOMER DRAWING		SCALE 5:1 SHEET 1 of 1 REV R2		

Mouser Electronics

Authorized Distributor

Click to View Pricing, Inventory, Delivery & Lifecycle Information:

[TE Connectivity:](#)

[350980-2](#)