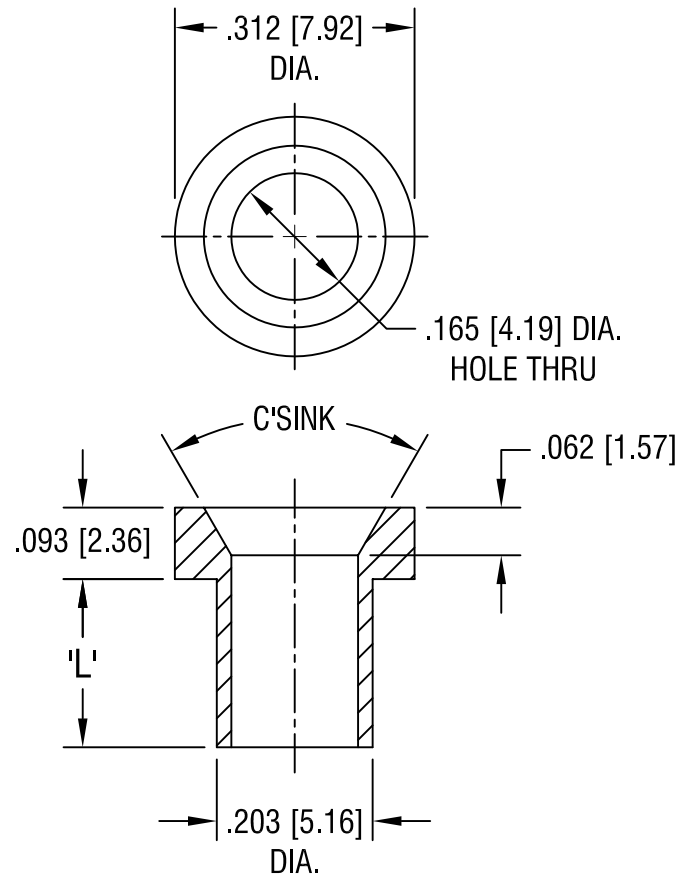


THIS DOCUMENT IS THE PROPERTY OF
KEYSTONE ELECTRONICS CORP. AND
SHALL NOT BE REPRODUCED, DISTRIBUTED
OR USED AS A BASIS FOR MANUFACTURE
WITHOUT PRIOR WRITTEN PERMISSION
FROM KEYSTONE ELECTRONICS CORP.



PART NO.	'L' DIM.
575-4	.218 [5.53]
575-6	.265 [6.73]
575-8	.350 [8.89]

KEYSTONE ELECTRONICS CORP.			
ASTORIA, N.Y. 11105-2017			
PART NAME NON-INSULATED JACK			
MATERIAL BRASS			
FINISH NICKEL PLATE		DRN BY BOONE	DATE 2.21.82
		APP'D LN	SCALE 4X
TOLERANCES INCH [MM] DECIMAL ± .005 [± 0.15] ANGULAR ± 1° UNLESS OTHERWISE SPECIFIED		CODE C	DWG NO. 575-

DATE	DESCRIPTION	REV.
11.7.94	CHANGE AS PER ECR 94-062	B
11.28.84	REVISED	A

Mouser Electronics

Authorized Distributor

Click to View Pricing, Inventory, Delivery & Lifecycle Information:

[Keystone Electronics:](#)

[575-8](#)