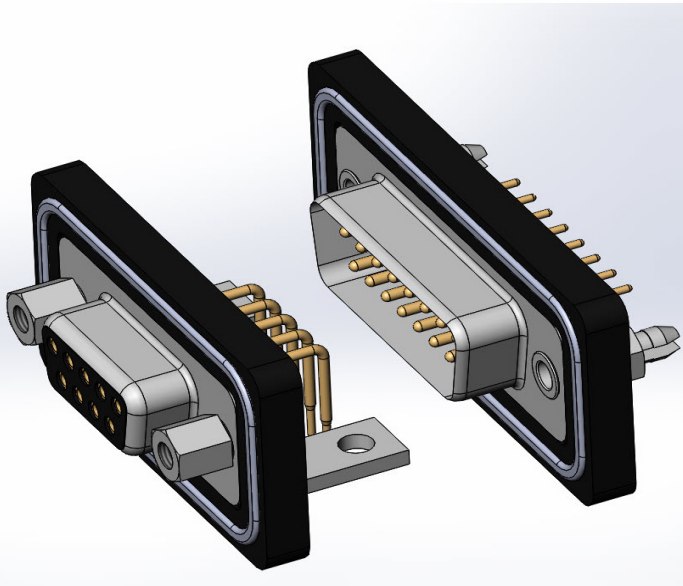




SERIES 600W

WATERPROOF D-SUB STANDARD DENSITY



FEATURES:

Waterproof Standard Density D-Subs are available in 9, 15 and 25 pin sizes
Contact Terminations are available in:

- 90° Right Angle PCB Tail
- 180° Straight or Vertical PCB Tail
- Solder Cup Tail

Material: PBT Thermoplastic with 30% Glass Filled,
UL 94V-0 Rated, Black color

Watertight Frame: PBT Thermoplastic with 30% Glass Filled,
UL 94V-0 Rated, Black Color

Shell: Steel, Nickel Plated

O-Ring: Silicone

Epoxy Sealant: Epoxy

Contact Material: Copper Alloy

SPECIFICATIONS:

Contact Current Rating: **5.0 A**

Contact Resistance: 10 milliohm maximum

Dielectric Withstanding Voltage: 1000V AC for 1 Minute

Insulation Resistance: 5000 Megohms minimum

Temperature Rating: -25°C ~ +85°C

Degree of Protection: IP67 as per IEC60529

Example Part Number:

627-W09-220-012

SERIES:
 PLUG, Vertical PCB Mount, Standard Size 627
 Receptacle, Vertical PCB Mount, Standard Size 628
 PLUG, Right Angle, 10.3 [0.406], Standard Footprint 629
 Receptacle, Right Angle, 10.3 [0.406] Standard Footprint 630

CROSS / REF:
 EDAC CODE
 WATERPROOF W

NO. OF CONTACTS:
 9 CONTACT PINS 09
 15 CONTACT PINS 15
 25 CONTACT PINS 25

CONTACT PLATING
 Gold Flash Plating over Nickel 2
 15 µIN of Gold Plating over Nickel 3
 30 µIN of Gold Plating over Nickel 6

MOUNTING OPTION:

- 2 #4-40 UNC THREADED HOLE
- 3 RIVETED #4-40 UNC BOARDLOCKS AND
(Only for Vertical DIP version)
- 5 BRACKET #4-40 UNC WITHOUT BOARDLOCKS
(Only for Right Angle version)

NOTE: ALL CONNECTORS ARE SHIPPED WITH
#4-40 UNC HEXAGON SCREWS
(Packed Separately)

SHELL OPTIONS:

- 1 NICKEL PLATED

INSULATOR COLOR:

- 0 BLACK

CONTACT CODE:

- 20 PC TAIL FOR STANDARD D-SUB
- 22 SOLDER CUP TERMINATION
- 40 RIGHT ANGLE TAIL,
10.3 [0.405] FOOTPRINT (9.4 NODE)

Mouser Electronics

Authorized Distributor

Click to View Pricing, Inventory, Delivery & Lifecycle Information:

EDAC:

[630-W09-240-015](#) [630-W09-240-012](#) [637-W15-221-012](#) [638-W15-221-012](#) [627-W09-220-013](#) [627-W09-222-012](#)
[628-W09-220-013](#) [628-W09-222-012](#) [628-W09-220-012](#) [629-W09-240-015](#) [629-W09-240-012](#) [627-W09-220-012](#)
[629-W15-240-012](#) [630-W25-240-012](#) [630-W15-240-012](#) [629-W25-240-012](#)