

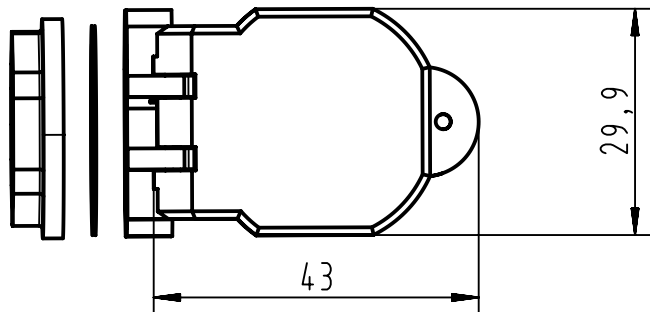
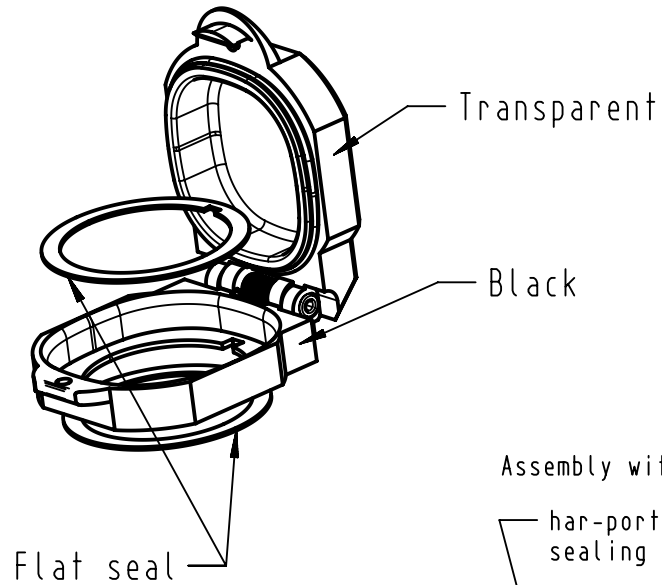
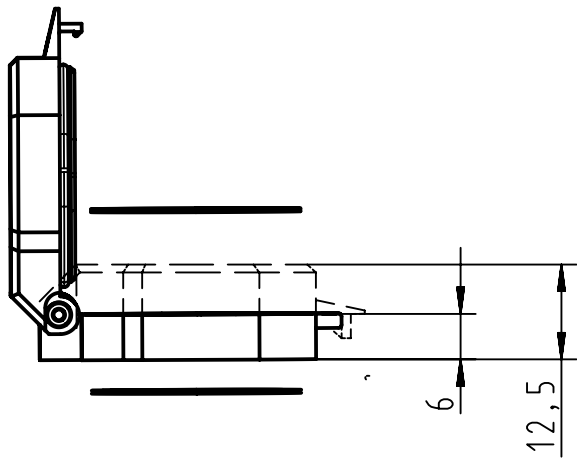
1 2 3 4 5 6

A

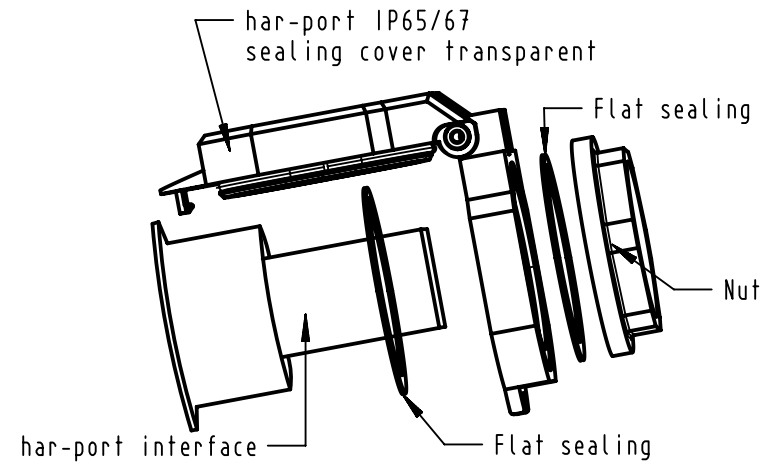
B


C

D



Assembly with har-port interfaces



	All rights reserved Department EC PD - FR	All Dimensions in mm Original Size DIN A4		Scale 1:1	Free size tol.	Ref. Sub.
		Created by DOUGE	Inspected by BAGDIKIAN	Standardisation HOFFMANN	Date 2012-11-07	State Final Release
HARTING Electronics GmbH D-32339 Espelkamp		Title har-port sealing cover transparent				Doc-Key / ECM-Nr. 100510108/UGD/001/A 500000054359
		Type TB	Number 09455020005		Rev. A	Page 1/1

# Mouser Electronics

Authorized Distributor

Click to View Pricing, Inventory, Delivery & Lifecycle Information:

[HARTING:](#)

[09455020005](#)