

注記  
NOTES:

1. 材質

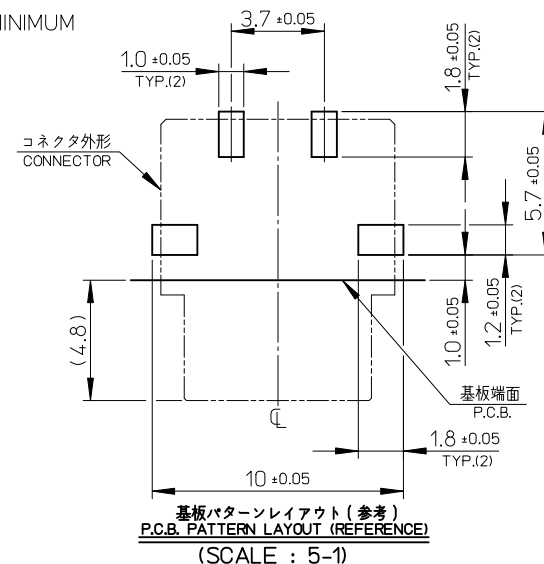
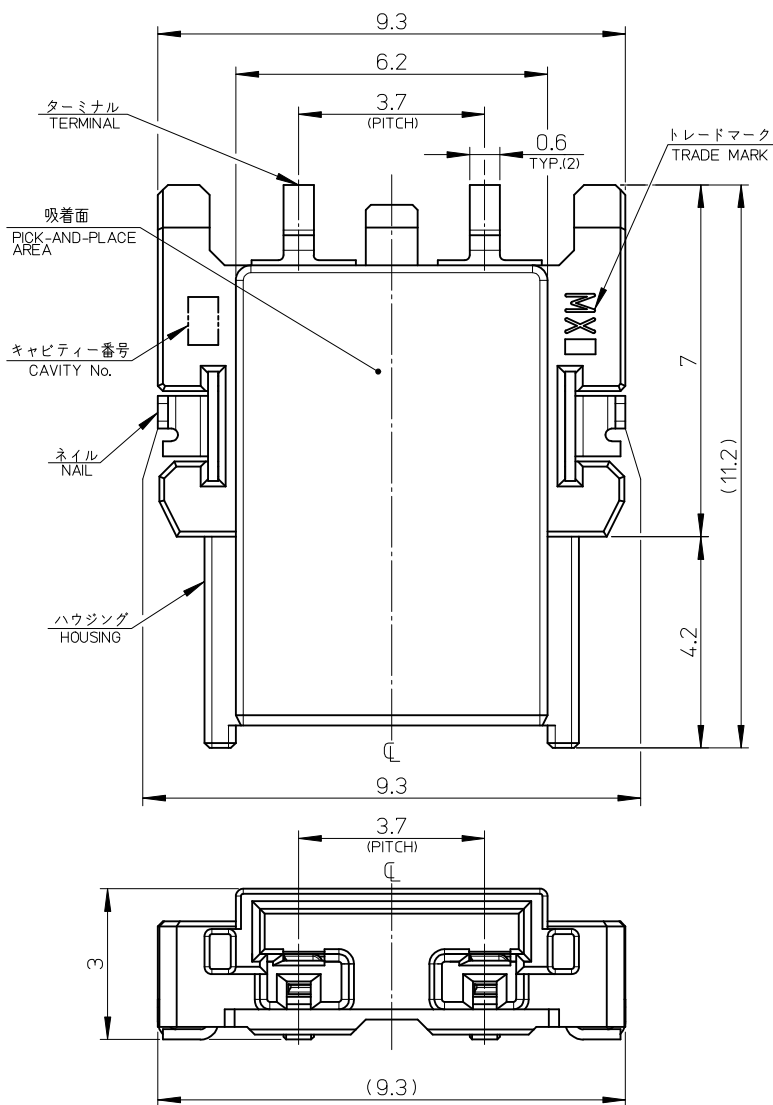
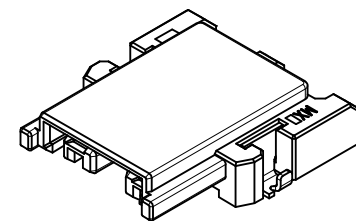
MATERIAL

ハウジング : ホリアミド (PA)、ガラス充填、UL94V-0、白色  
HOUSING : POLYAMIDE(PA), GLASS FILLED, UL94V-0, WHITE  
ターミナル : りん青銅

錫めっき : 1.0μm以上  
下地 : ニッケルめっき 1.0μm以上  
TERMINAL : PHOSPHOR BRONZE  
TIN PLATING : 1.0 MICROMETER MINIMUM  
UNDERPLATE : NICKEL 1.0 MICROMETER MINIMUM

ネイル : りん青銅  
錫めっき : 1.0μm以上  
下地 : ニッケルめっき 1.0μm以上  
NAIL : PHOSPHOR BRONZE  
TIN PLATING : 1.0 MICROMETER MINIMUM  
UNDERPLATE : NICKEL 1.0 MICROMETER MINIMUM

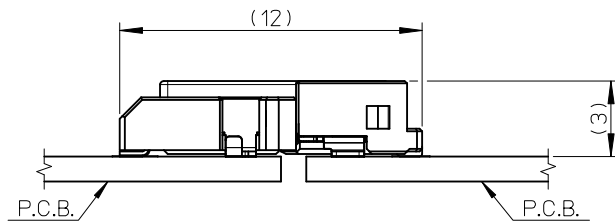
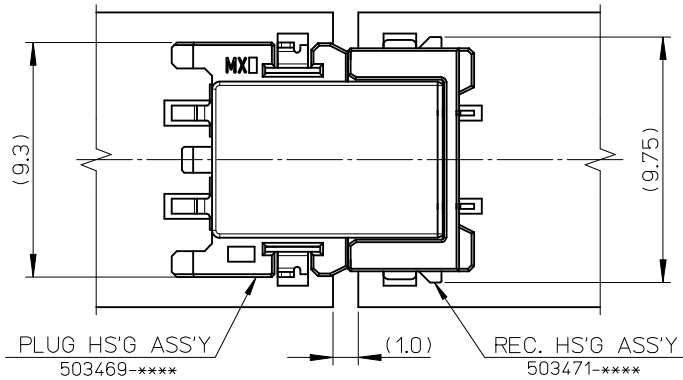
- 嵌合相手 : 503471-\*\*\*\*又は503474-\*\*\*\*  
MATE WITH : 503471-\*\*\*\* OR 503474-\*\*\*\*
- 端子テール部及びネイルの平坦度は0.1以下  
TAIL AND NAIL COPLANARITY TO BE 0.1 MAXIMUM.
- 端子テール部及びネイルに錫めっきを使用しているため、  
外観に摺動痕が付く場合が御座います。  
THE WOUND OF FRICTION MIGHT ADHERE  
TO EXTERNALS BECAUSE THE TIN PLATING IS  
USED FOR THE TAIL AND NAIL.
- 本製品のプラスチック部に黒点等が確認される場合や  
色合いが異なる場合がありますが、製品性能に影響はありません。  
THERE IS NO INFLUENCE IN THE PRODUCT  
PERFORMANCE THOUGH THE BLACK SPOT ETC.  
MIGHT BE CONFIRMED TO THE PLASTIC PART  
OF THIS PRODUCT AND THE SHADE MIGHT BE  
DIFFERENT.
- エンボス梱包品の詳細はSD-503469-002を参照願います。  
REFER TO THE SD-503469-002  
FOR EMBOSSED TAPE PACKAGING.
- ELV及びRoHS適合品  
ELV AND RoHS COMPLIANT.



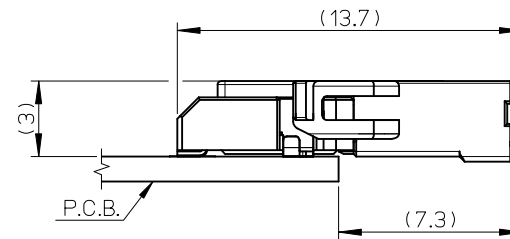
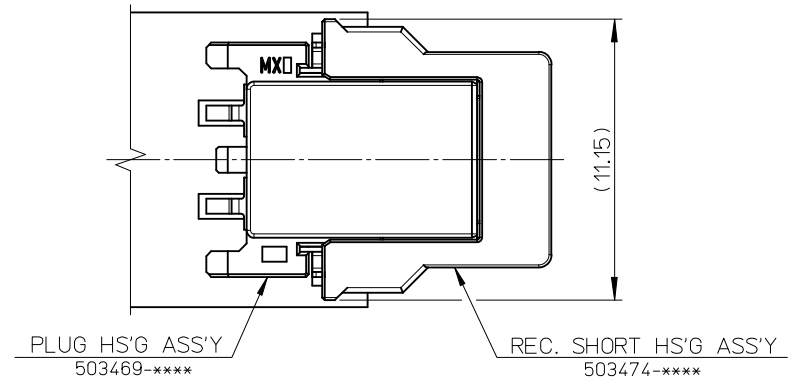
503469-0200	2
EMBOSSD TAPE PACKAGE	CIRCUIT 極数
オーダー番号 ORDER No.	
コネクタシリーズ番号 CONNECTOR SERIES No.	503469-**-09

RELEASED EC NO: J2010-0155 DRWN:HKOBAYASHI 2009/07/24 CHKD:SSA1003 2009/07/26 APPR:NUKITA 2009/07/27	DESCRIPTION REV	GENERAL TOLERANCES (UNLESS SPECIFIED)		DIMENSION STYLE MM ONLY		SCALE 10:1	DESIGN UNITS METRIC	THIRD ANGLE PROJECTION	
		10 UNDER	±0.2	DRAWN BY H.KOBAYASHI	DATE 2009/7/24	TITLE 3.7 MULTIPLE CONN. PLUG HS'G ASS'Y			
		10 OVER 30 UNDER	±0.25	CHECKED BY S.SATO	DATE 2009/7/24	MOLEX INCORPORATED			
		30 OVER	±0.3	APPROVED BY N.UKITA	DATE 2009/7/24	SD-503469-001			
ANGULAR ±1 °		DRAFT WHERE APPLICABLE MUST REMAIN WITHIN DIMENSIONS		MATERIAL NO. //		DOCUMENT NO.		SHEET NO. 1 OF 2	
SIZE A3		THIS DRAWING CONTAINS INFORMATION THAT IS PROPRIETARY TO MOLEX INCORPORATED AND SHOULD NOT BE USED WITHOUT WRITTEN PERMISSION							

<嵌合状態図(参考)> 503469-\*\*\*\*/503471-\*\*\*\*  
 <MATED CONNECTOR (REFERENCE)>  
 (503469-\*\*\*\*/503471-\*\*\*\*)



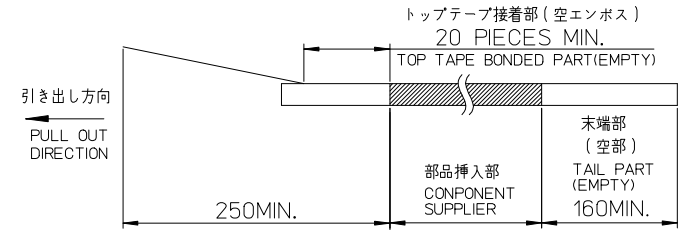
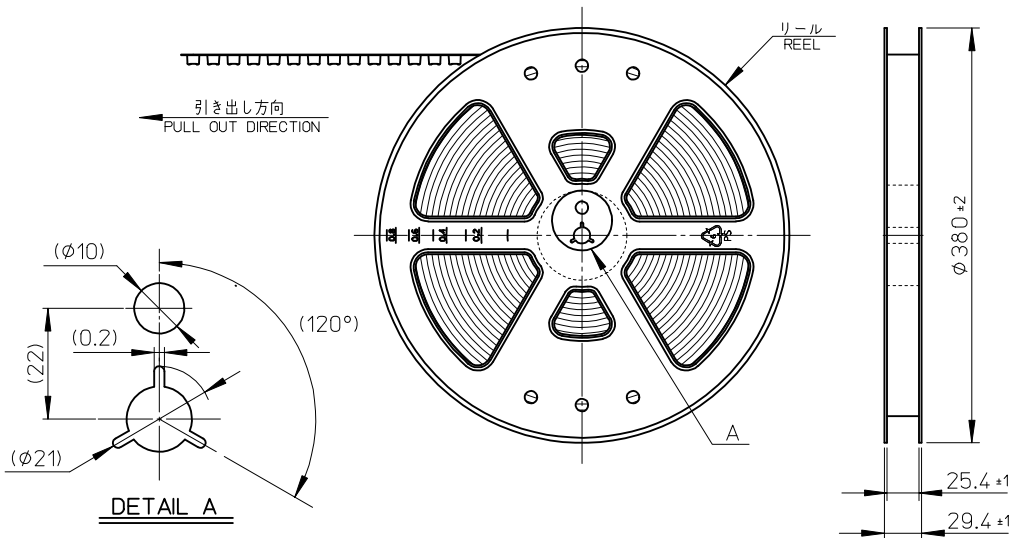
<嵌合状態図(参考)> 503469-\*\*\*\*/503474-\*\*\*\*  
 <MATED CONNECTOR (REFERENCE)>  
 (503469-\*\*\*\*/503474-\*\*\*\*)



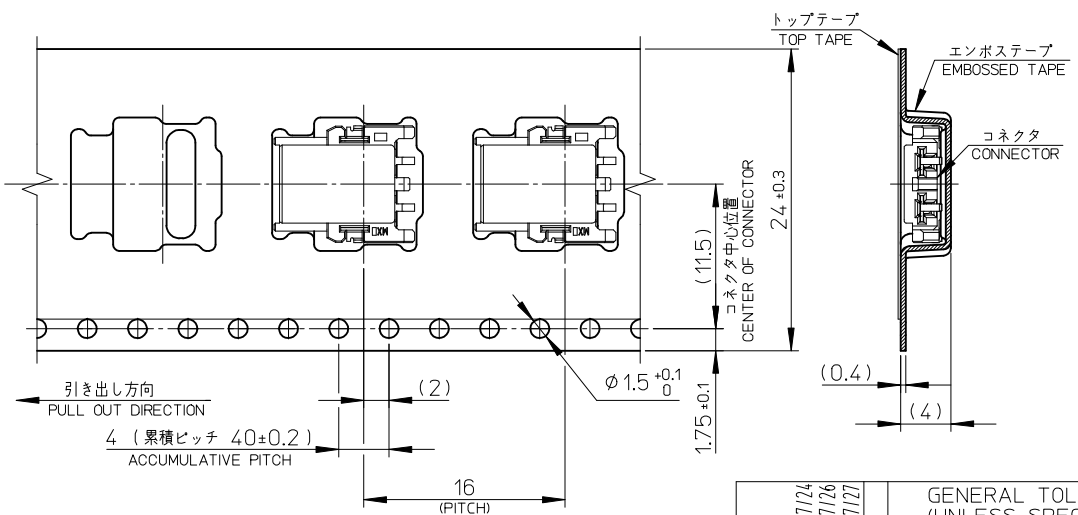
SEE SHEET No.1 EC NO: J2010-0155 DRWN:H.KOBAYASHI 2009/07/24 CHKD:S.SATO03 2009/07/26 APPR:NUKITA 2009/07/27	GENERAL TOLERANCES (UNLESS SPECIFIED)		DIMENSION STYLE MM ONLY		SCALE 5:1	DESIGN UNITS METRIC	THIRD ANGLE PROJECTION	
	10 UNDER	±0.2	DRAWN BY H.KOBAYASHI	DATE 2009/7/24	TITLE 3.7 MULTIPLE CONN. PLUG HS'G ASS'Y			
	10 OVER 30 UNDER	±0.25	CHECKED BY S.SATO	DATE 2009/7/24	MOLEX INCORPORATED			
	30 OVER	±0.3	APPROVED BY N.UKITA	DATE 2009/7/24	DOCUMENT NO. SD-503469-001		SHEET NO. 2 OF 2	
	ANGULAR ±1 °		MATERIAL NO. —//—		THIS DRAWING CONTAINS INFORMATION THAT IS PROPRIETARY TO MOLEX INCORPORATED AND SHOULD NOT BE USED WITHOUT WRITTEN PERMISSION			
DRAFT WHERE APPLICABLE MUST REMAIN WITHIN DIMENSIONS								

注記:  
NOTES:

- 製品詳細寸法については、SD-503469-001を参照下さい。  
PLEASE REFER TO SD-503469-001 FOR THE DETAILED DIMENSION OF THE CONNECTOR.
- 梱包数量：1500 個/リール  
NUMBER OF CONNECTORS：1500 PCS/REEL.
- リードテープ長さ  
LEAD TAPE LENGTH.



- 材料  
MATERIAL  
キャリアテープ：ポリスチレン  
CARRIER TAPE：POLYSTYRENE  
トップテープ：ポリエチレン, ポリエチレンテレフタレート  
TOP TAPE：POLYESTER, POLYETHYLENE, POLYETHYLENE TEREPHTHALATE  
リール：ポリスチレン <リサイクル材含む>  
REEL：POLYSTYRENE (PS) <RECYCLE MATERIAL CONTAINED>
- ELV及びRoHS適合品  
ELV AND RoHS COMPLIANT



24mm	503469-0209	503469-0200	2
エンボステープ幅 CARRIER TAPE WIDTH	装着コネクタ CONNECTOR	EMBOSSD TAPE PACKAGE	CIRCUIT 極数
		オーダー番号 ORDER No.	
		コネクタシリーズ番号 CONNECTOR SERIES No.	
			503469-**00

RELEASED EC NO.: J2010-0155 DRW: H.KOBAYASHI 2009/07/24 CHK: D.SSAT003 2009/07/26 APPR: NUKITA 2009/07/27	DESCRIPTION GENERAL TOLERANCES (UNLESS SPECIFIED)	10 UNDER	± 0.2	DIMENSION STYLE MM ONLY	SCALE ----- DESIGN UNITS METRIC	THIRD ANGLE PROJECTION
		10 OVER 30 UNDER	± 0.25			
		30 OVER	± 0.3	DRAWN BY H. KOBAYASHI	DATE 2009/7/24	TITLE EMBOSSD TAPE PACKAGE FOR 503469-****
		ANGULAR	± 1 °	CHECKED BY S. SATO	DATE 2009/7/24	
		DRAFT WHERE APPLICABLE MUST REMAIN WITHIN DIMENSIONS		APPROVED BY N. UKITA	DATE 2009/7/24	
		MATERIAL NO.	—//—	MOLEX MOLEX INCORPORATED	DOCUMENT NO. SD-503469-002	SHEET NO. 1 OF 1