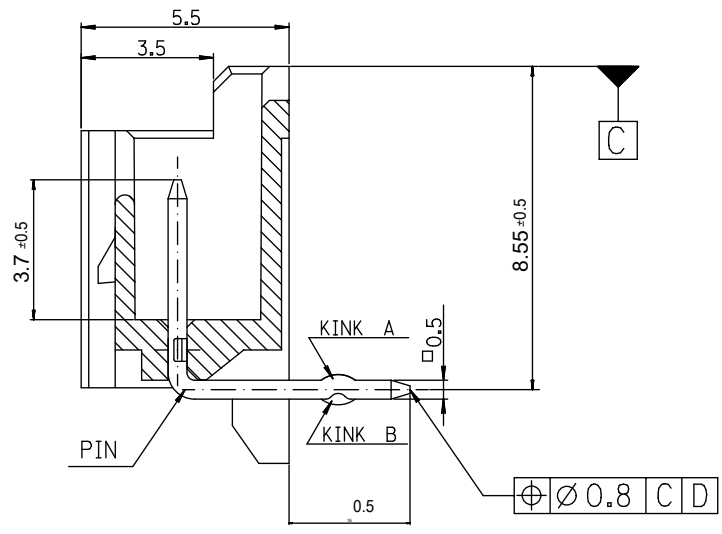
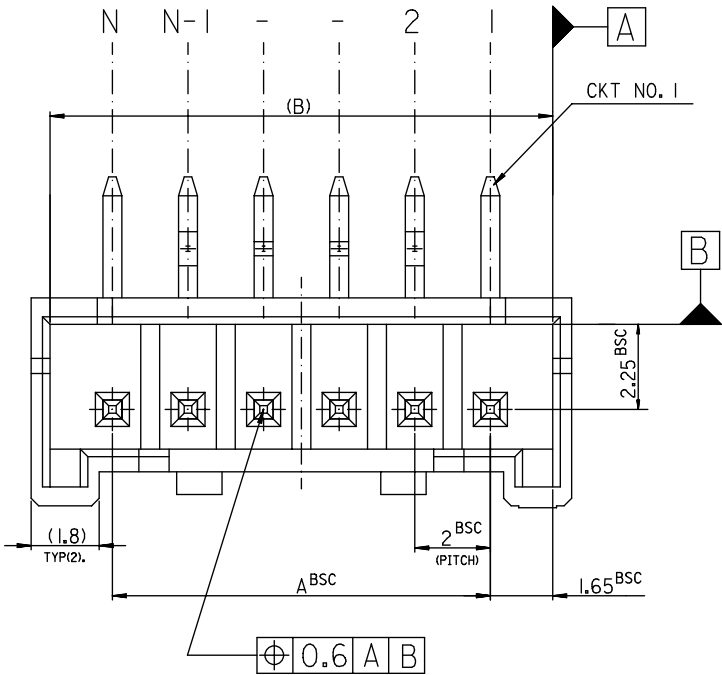
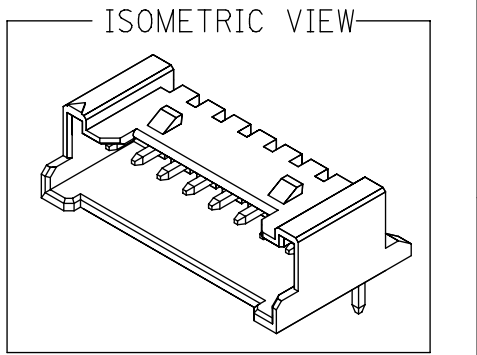


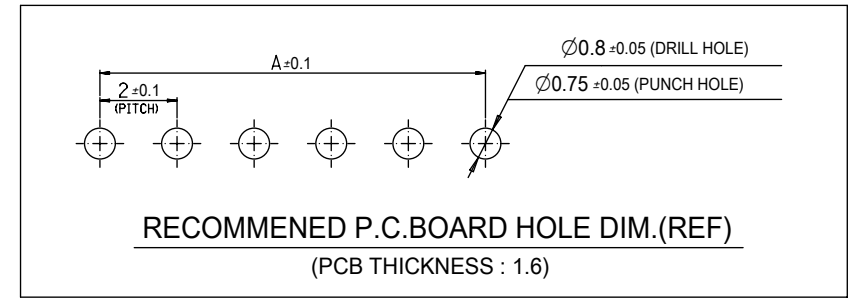
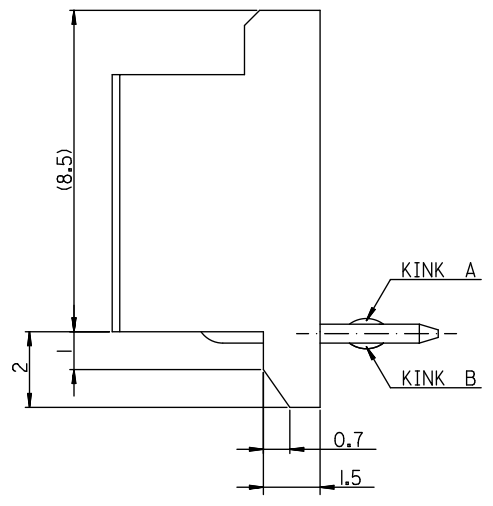
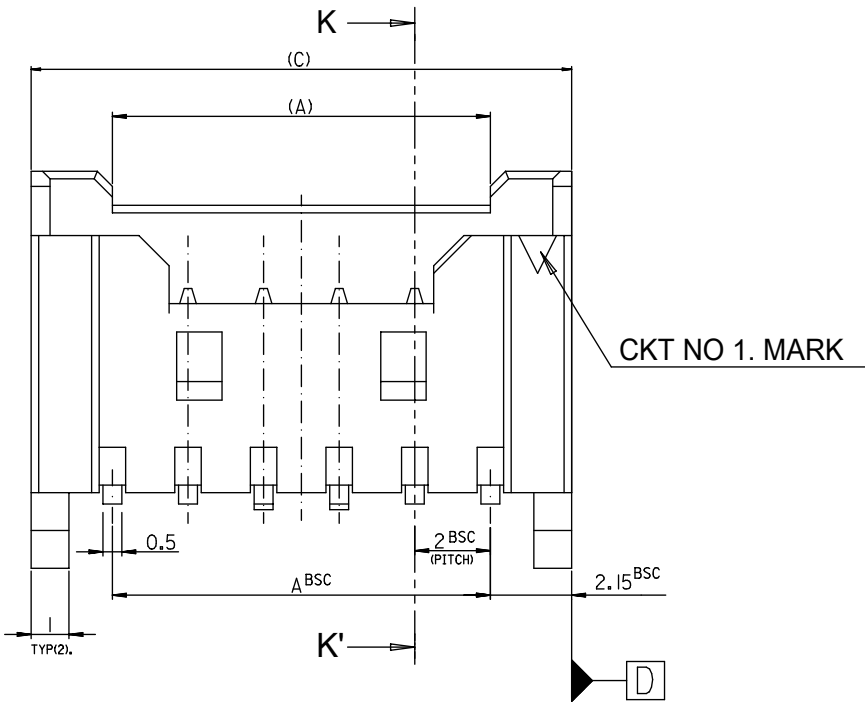
LEAD FREE



LEGEND

SD-35363-\*\* 6 \* COLOR

- 0 : NATURAL
- 1 : BLACK
- 2 : RED
- 3 : YELLOW
- 4 : BLUE
- 5 : GREEN



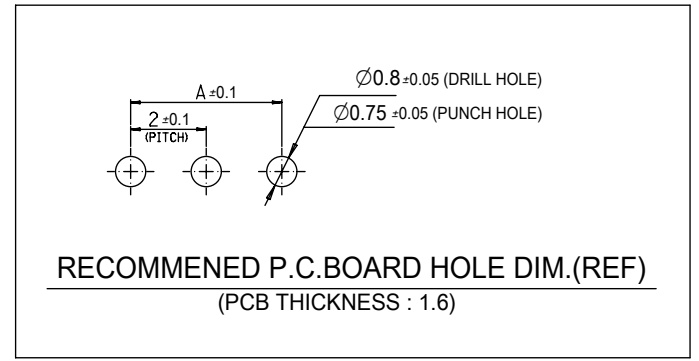
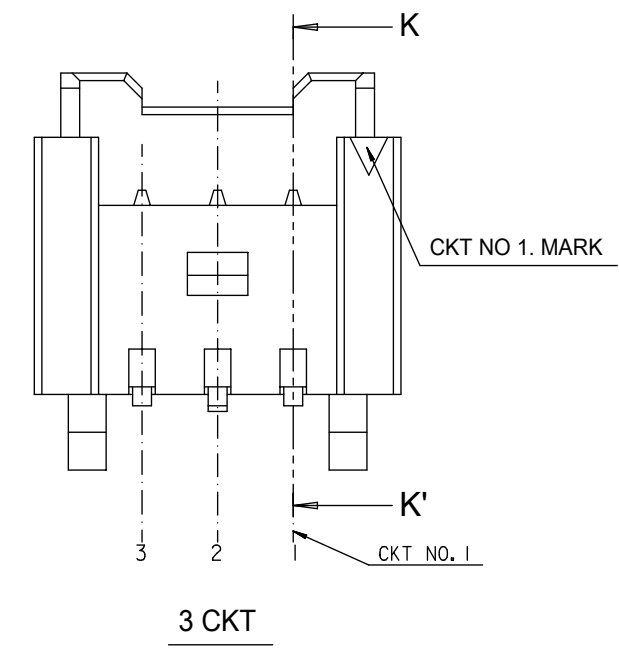
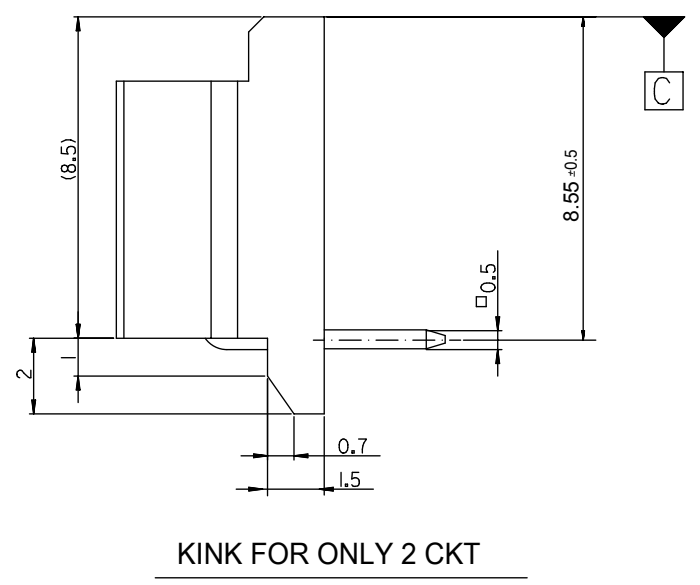
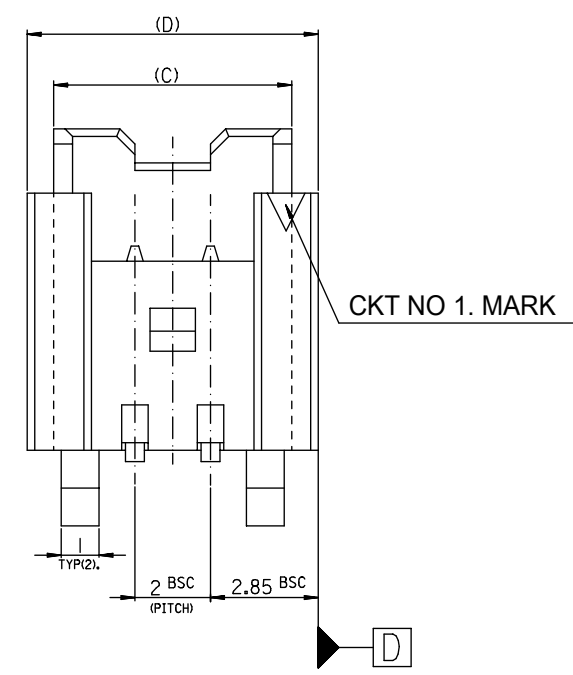
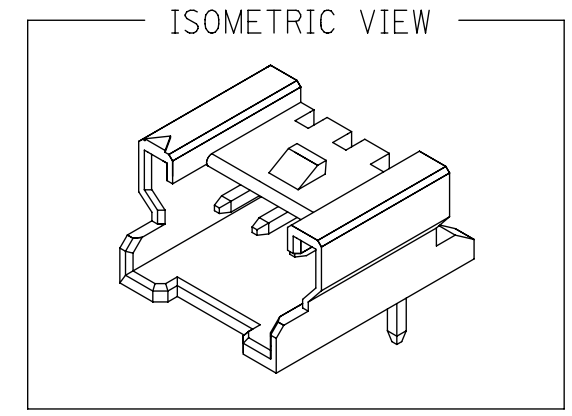
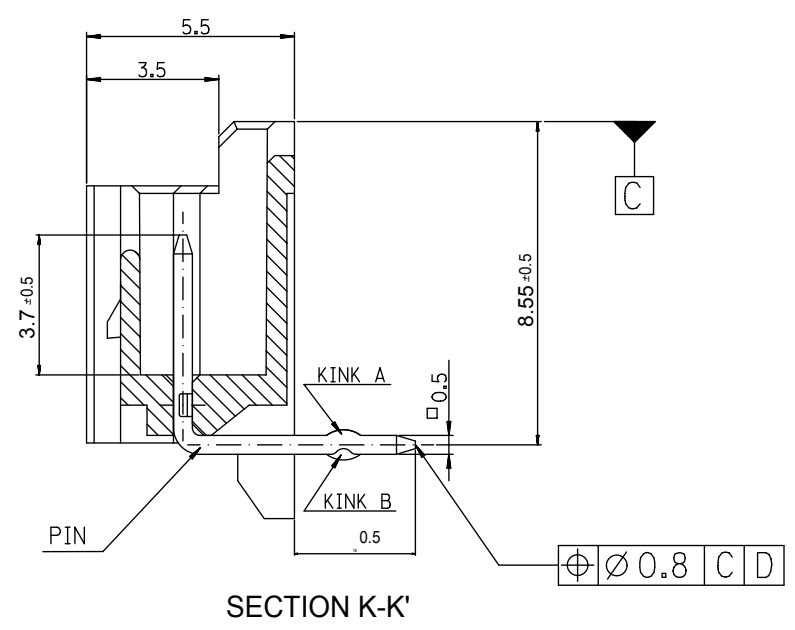
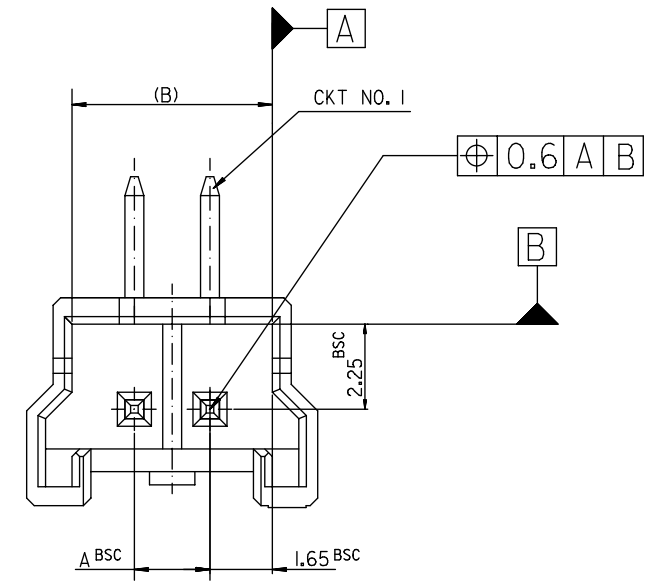
- NOTES
1. MATERIAL : WAFER - UNFILLED POLYAMIDE, UL94V-0  
PIN - BRASS
  2. FINISHES : PIN - Tin(Sn) 1.0~3.0µm OVERALL  
Cu 1.5~3.75µm OVERAL
  3. PRODUCT SPECIFICATION : PS-35507-003
  4. MATES WITH : HOUSING - 35507-\*\*0\*  
TERMINAL - 50212-8000
  5. KINK

CKT NO	1	2	3	4	5	N-2	N-1	N
6 CKT OVER	-	A	B	-	-	B	A	-
5 CKT	A	B	-	B	A			
4 CKT	A	B	B	A				

32.3	31.3	28	156*	- 156*	15
30.3	29.3	26	146*	- 146*	14
28.3	27.3	24	136*	- 136*	13
26.3	25.3	22	126*	- 126*	12
24.3	23.3	20	116*	- 116*	11
22.3	21.3	18	106*	- 106*	10
20.3	19.3	16	096*	-096*	9
18.3	17.3	14	086*	-086*	8
16.3	15.3	12	076*	-076*	7
14.3	13.3	10	066*	-066*	6
12.3	11.3	8	056*	-056*	5
10.3	9.3	6	35363046*	35363-046*	4
(C)	(B)	A	MATERIAL NO.	ENG. NO.	CKT

FUNCTIONAL SYMBOLS	THIS DRAWING CONTAINS INFORMATION THAT IS PROPRIETARY TO MOLEX ELECTRONIC TECHNOLOGIES, LLC AND SHOULD NOT BE USED WITHOUT WRITTEN PERMISSION	CURRENT REV DESC:																							
	<table border="1"> <tr> <th>FUNCTIONAL SYMBOLS</th> <th>DIMENSION UNITS</th> <th>SCALE</th> </tr> <tr> <td><math>\sqrt{A}</math> = 0</td> <td>mm</td> <td>5:1</td> </tr> <tr> <td><math>\sqrt{E}</math> = 0</td> <td colspan="2">GENERAL TOLERANCES (UNLESS SPECIFIED)</td> </tr> <tr> <td><math>\sqrt{F}</math> = 0</td> <td colspan="2">ANGULAR TOL ± °</td> </tr> <tr> <td rowspan="5">DIVISIONAL SYMBOLS</td> <td>4 PLACES</td> <td>±</td> </tr> <tr> <td>3 PLACES</td> <td>±</td> </tr> <tr> <td>2 PLACES</td> <td>±</td> </tr> <tr> <td>1 PLACE</td> <td>±</td> </tr> <tr> <td>0 PLACES</td> <td>±</td> </tr> </table>	FUNCTIONAL SYMBOLS	DIMENSION UNITS			SCALE	$\sqrt{A}$ = 0	mm	5:1	$\sqrt{E}$ = 0	GENERAL TOLERANCES (UNLESS SPECIFIED)		$\sqrt{F}$ = 0	ANGULAR TOL ± °		DIVISIONAL SYMBOLS	4 PLACES	±	3 PLACES	±	2 PLACES	±	1 PLACE	±	0 PLACES
FUNCTIONAL SYMBOLS	DIMENSION UNITS	SCALE																							
$\sqrt{A}$ = 0	mm	5:1																							
$\sqrt{E}$ = 0	GENERAL TOLERANCES (UNLESS SPECIFIED)																								
$\sqrt{F}$ = 0	ANGULAR TOL ± °																								
DIVISIONAL SYMBOLS	4 PLACES	±																							
	3 PLACES	±																							
	2 PLACES	±																							
	1 PLACE	±																							
	0 PLACES	±																							
GENERAL TOLERANCE		DRAFT WHERE APPLICABLE MUST REMAIN WITHIN DIMENSIONS		PRODUCT CUSTOMER DRAWING DOCUMENT NUMBER: SD-35363-002 DOC TYPE: PSD DOC PART: 001 REVISION: D3																					
30 over ±0.3 10 over 30 under ±0.25 10 under ±0.2 ANGLE ±3°		THIRD ANGLE PROJECTION DRAWING: A3-SIZE SERIES: 35363 MATERIAL NUMBER: SEE TABLE CUSTOMER: GENERAL MARKET SHEET NUMBER: 1 OF 1		EC NO: 636378 DRWN: SCHONG03 CHK'D: JBJIN APPR: YSKIM02 2020/04/21 2020/04/23 2020/04/23 INITIAL REVISION: DRWN: DYJANG APPR: CHANGWOOLEE 2004/09/01 2004/09/02																					

FOR 2 & 3 CKTS. LEAD FREE



LEGEND

SD-35363-\*\* 6 \* COLOR

- 0 : NATURAL
- 1 : BLACK
- 2 : RED
- 3 : YELLOW
- 4 : BLUE
- 5 : GREEN

- NOTES
- MATERIAL : WAFER - UNFILLED POLYAMIDE, UL94V-0  
PIN - BRASS
  - FINISHES : PIN - Tin(Sn) 1.0~3.0m OVERALL  
Cu 1.5~3.75m OVERAL
  - PRODUCT SPECIFICATION : PS-35507-003
  - MATES WITH : HOUSING - 35507-\*\*0\*  
TERMINAL - 50212-8000
  - KINK

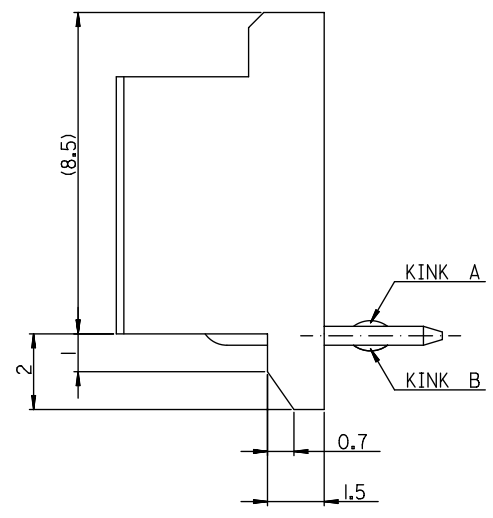
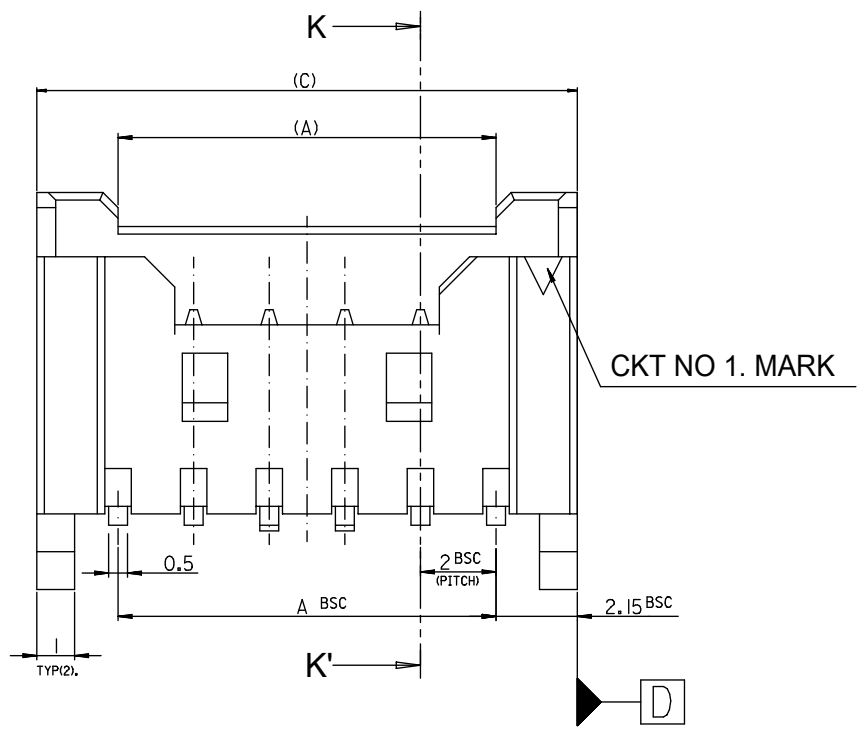
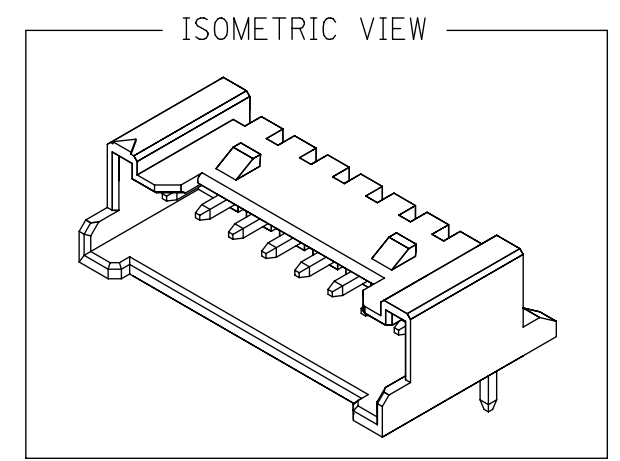
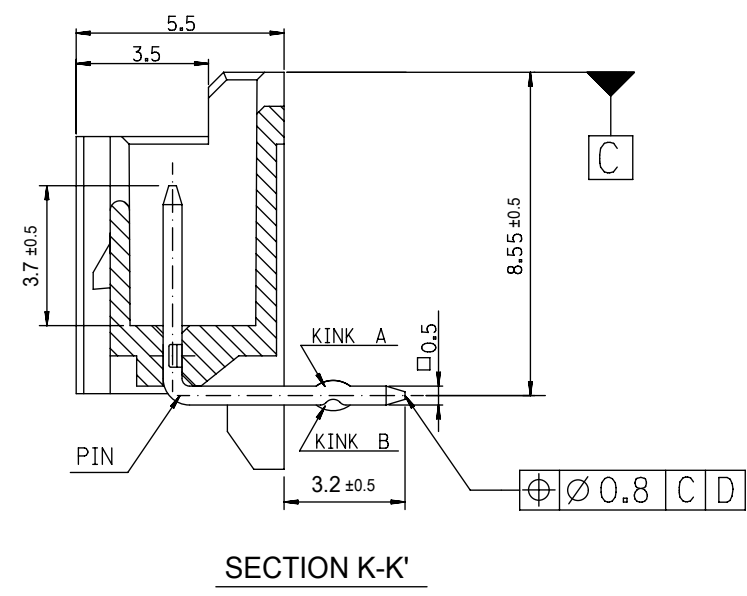
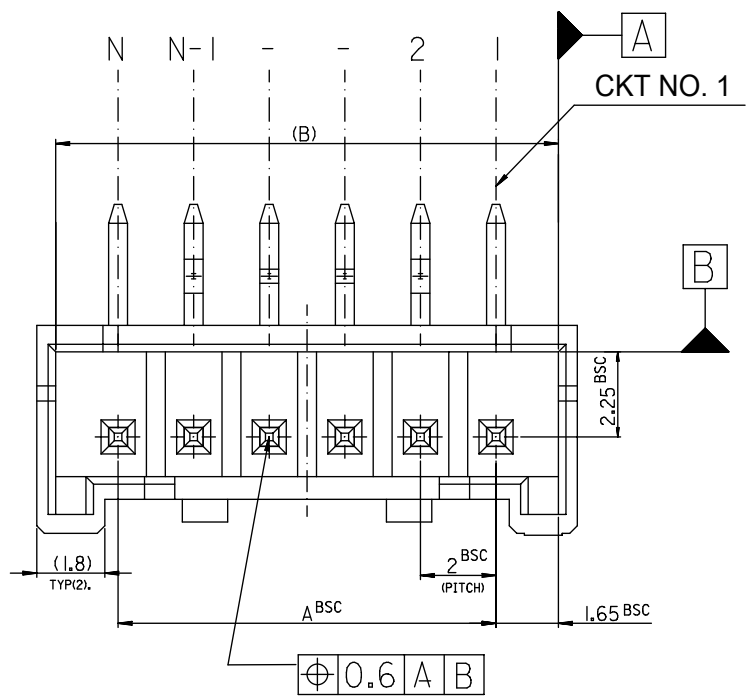
CKT	CKT NO	1	2	3
2 CKT		NONE	KINK	
3 CKT		A	B	A

9.7	8.3	7.3	4	35363036*	35363-036*	3
7.7	6.3	5.3	2	35363026*	35363-026*	2
(D)	(C)	(B)	A	MATERIAL NO.	ENG. NO.	CKT

SYMBOLS		THIS DRAWING CONTAINS INFORMATION THAT IS PROPRIETARY TO MOLEX ELECTRONIC TECHNOLOGIES, LLC AND SHOULD NOT BE USED WITHOUT WRITTEN PERMISSION		CURRENT REV DESC:		<b>molex</b>	
▽ = 0	mm	SCALE	5:1	EC NO: 605910			
▽ = 0	GENERAL TOLERANCES (UNLESS SPECIFIED)		DRWN: JSSHIN		2018/10/11	2.0 W/B WAFER R/A ASS'Y -LEAD FREE-	
▽ = 0	ANGULAR TOL ± °		CHK'D: SHCHU		2018/10/15		
▽ = 0	4 PLACES ±		APPR: YSKIM02		2018/10/16	PRODUCT CUSTOMER DRAWING	
▽ = 0	3 PLACES ±		INITIAL REVISION:				
▽ = 0	2 PLACES ±		DRWN: DYJANG		2004/09/01	DOCUMENT NUMBER <b>SD-35363-002</b>	
▽ = 0	1 PLACE ±		APPR: CHANGWOOLEE		2004/09/02		
▽ = 0	0 PLACES ±		DRAFT WHERE APPLICABLE MUST REMAIN WITHIN DIMENSIONS		THIRD ANGLE PROJECTION	DRAWING A3-SIZE	SERIES 35363
□ = 0	MATERIAL NUMBER SEE TABLE		CUSTOMER GENERAL MARKET		SHEET NUMBER 1 OF 1		REVISION D2

DOCUMENT STATUS	RELEASE DATE
-----------------	--------------

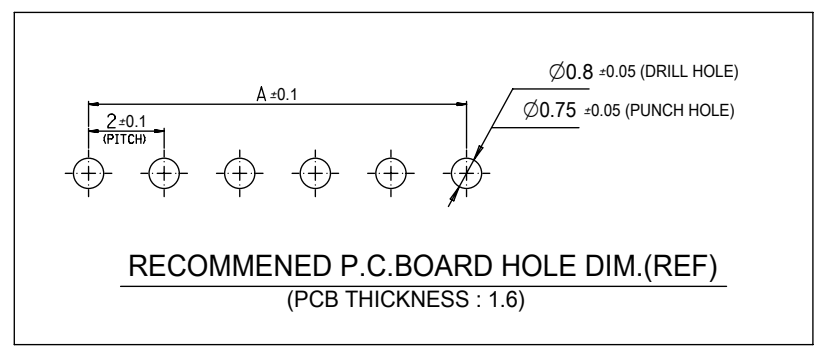
LEAD FREE



LEGEND

SD-35363-\*\*\* 6 \* COLOR

- 0 : NATURAL
- 1 : BLACK
- 2 : RED
- 3 : YELLOW
- 4 : BLUE
- 5 : GREEN



NOTES

1. MATERIAL : WAFER - UNFILLED POLYAMIDE, UL94V-0  
PIN - BRASS
2. FINISHES : PIN - Tin(Sn) 1.0~3.0m OVERALL  
Cu 1.5~3.75m OVERAL
3. PRODUCT SPECIFICATION : PS-35507-003
4. MATES WITH : HOUSING - 35507-\*\*0\*  
TERMINAL - 50212-8000
5. KINK

CKT	CKT NO	1	2	3	4	N-3	N-2	N-1	N
20	-	A	B	-	-	B	A	-	-

42.3	41.3	38	35363206*	35363-206*	20
(C)	(B)	A	MATERIAL NO.	ENG. NO.	CKT

THIS DRAWING CONTAINS INFORMATION THAT IS PROPRIETARY TO MOLEX ELECTRONIC TECHNOLOGIES, LLC AND SHOULD NOT BE USED WITHOUT WRITTEN PERMISSION

SYMBOLS

▽ = 0	mm	SCALE 5:1
▽ = 0	GENERAL TOLERANCES (UNLESS SPECIFIED)	
▽ = 0	ANGULAR TOL ± °	
▽ = 0	4 PLACES ±	
▽ = 0	3 PLACES ±	
▽ = 0	2 PLACES ±	
▽ = 0	1 PLACE ±	
▽ = 0	0 PLACES ±	
■ = 0	DRAFT WHERE APPLICABLE MUST REMAIN WITHIN DIMENSIONS	
▽ = 0	THIRD ANGLE PROJECTION	

CURRENT REV DESC:

EC NO: 605910  
DRWN: JSSHIN 2018/10/11  
CHK'D: SHCHU 2018/10/15  
APPR: YSKIM02 2018/10/16

INITIAL REVISION:  
DRWN: DYJANG 2004/09/01  
APPR: CHANGWOOLEE 2004/09/02

**molex**

2.0 W/B WAFER R/A ASS'Y -LEAD FREE-

PRODUCT CUSTOMER DRAWING

DOCUMENT NUMBER	DOC TYPE	DOC PART	REVISION
SD-35363-002	PSD	003	D2

MATERIAL NUMBER	CUSTOMER	SHEET NUMBER
SEE TABLE	GENERAL MARKET	1 OF 1

30 over	±0.3
10 over 30 under	±0.25
10 under	±0.2
ANGLE	±3°
GENERAL TOLERANCE	

DOCUMENT STATUS	RELEASE DATE
-----------------	--------------