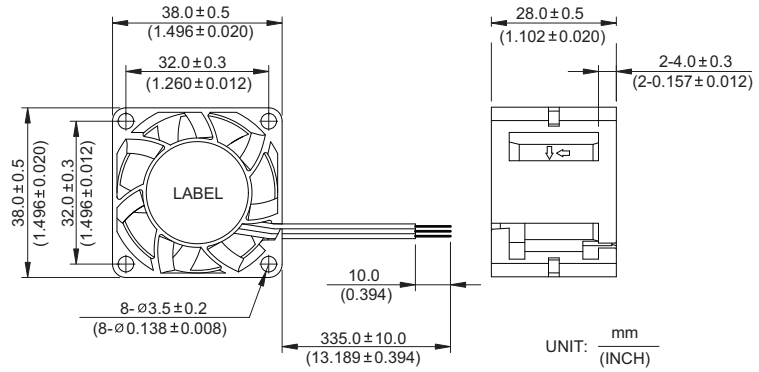


*New*



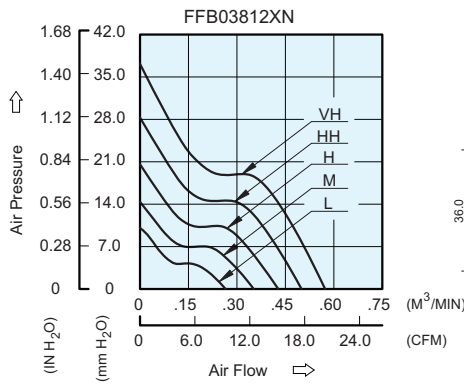
# FFB 38 x 38 x 28 MM SERIES

## DIMENSIONS DRAWING

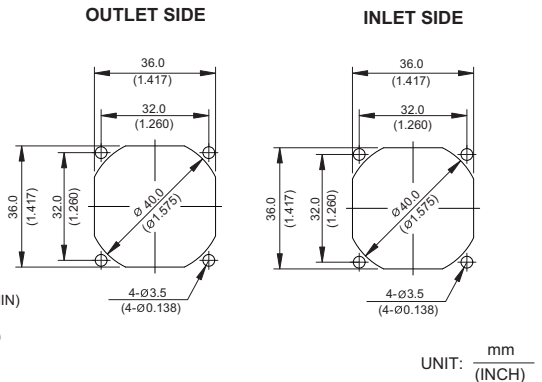


- \* Bearing Type  
Ball Bearings
- \* Material  
Impeller & Frame: Plastic (UL94V-0)
- \* Lead Wires :  
UL 1061 AWG#24 OR Equivalent  
Red Wire Positive (+)  
Black Wire Negative (-)
- \* Weight : 46g (1.62 oz)

## P & Q CURVE (AT RATED VOLTAGE)



## MOUNTING PANEL CUTOUT



| MODEL       |             | Rated Voltage | Operating Voltage Range | Rated Current | Rated Input Power | Speed  | Maximum Air Flow    |       | Maximum Air Pressure |                     | Noise |
|-------------|-------------|---------------|-------------------------|---------------|-------------------|--------|---------------------|-------|----------------------|---------------------|-------|
| PART NO.    | FUNCTION    | VDC           | VDC                     | Amp           | Watt              | R.P.M. | m <sup>3</sup> /min | CFM   | mmH <sub>2</sub> O   | IN H <sub>2</sub> O | dB-A  |
| FFB03812LN  | -R00 / -F00 | 12            | 7.0 to 13.8             | 0.20          | 2.40              | 8000   | 0.265               | 9.35  | 10.07                | 0.396               | 39.0  |
| FFB03812MN  | -R00 / -F00 | 12            | 7.0 to 13.8             | 0.25          | 3.00              | 10000  | 0.352               | 12.44 | 14.38                | 0.566               | 45.0  |
| FFB03812HN  | -R00 / -F00 | 12            | 7.0 to 13.8             | 0.34          | 4.08              | 12000  | 0.431               | 15.22 | 21.31                | 0.839               | 51.5  |
| FFB03812HHN | -R00 / -F00 | 12            | 7.0 to 13.8             | 0.47          | 5.64              | 14000  | 0.490               | 17.30 | 28.22                | 1.111               | 55.5  |
| FFB03812VHN | -R00 / -F00 | 12            | 7.0 to 13.2             | 0.65          | 7.80              | 16000  | 0.573               | 20.23 | 37.15                | 1.463               | 58.5  |

\* Function type is optional.  
 \* The max. air flow and the speed are measured in free air ; max. air pressure is measured at zero air flow.  
 \* Noise is measured in anechoic chamber in free air, one meter from intake side.  
 \* All readings are typical values at rated voltage.  
 \* Specifications are subject to change without notice.

# Mouser Electronics

Authorized Distributor

Click to View Pricing, Inventory, Delivery & Lifecycle Information:

## [Delta Electronics:](#)

[FFB03812VHN](#) [FFB03812MN-F00](#) [FFB03812VHN-9C3P](#) [FFB03812VHN-F00](#) [FFB03812LN](#) [FFB03812HN-R00](#)  
[FFB03812HHN-R00](#) [FFB03812HHN](#) [FFB03812MN-R00](#) [FFB03812HN-F00](#) [FFB03812HN](#) [FFB03812HHN-F00](#)  
[FFB03812LN-R00](#) [FFB03812MN](#) [FFB03812HHN-TYAP](#) [FFB03812VHN-R00](#) [FFB03812LN-F00](#)