

REVISIONS				
P	LTR	DESCRIPTION	DATE	APVD
	C1	REVISED PER ECR-17-007253	01JUN2017	FV TD

20

RELEASED FOR PUBLICATION


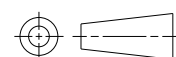
# FOR DETAILS SEE DRAWING 160100

ALL RIGHTS RESERVED.

BY - TE CONNECTIVITY

© COPYRIGHT 20

THIS DRAWING IS UNPUBLISHED.

DIMENSIONS:		DWN	-	MATERIAL	-	FINISH	-	
mm[INCHES]		CHK	-	 <b>TE</b> TE Connectivity				
TOLERANCES UNLESS OTHERWISE SPECIFIED:		APVD	-					
0 PLC	±.	PRODUCT SPEC	-	NAME				
1 PLC	±.	APPLICATION SPEC	-	RING TONGUE WITH INS. SUPPORT				
2 PLC	±0.25[.010]	SIZE	A4	CAGE CODE	-	DRAWING NO	C- 160341	
3 PLC	±.	WEIGHT	-	RESTRICTED TO				
4 PLC	±.	CUSTOMER DRAWING					SCALE	5:1
ANGLES	±1°						SHEET	1 OF 1
							REV	C1