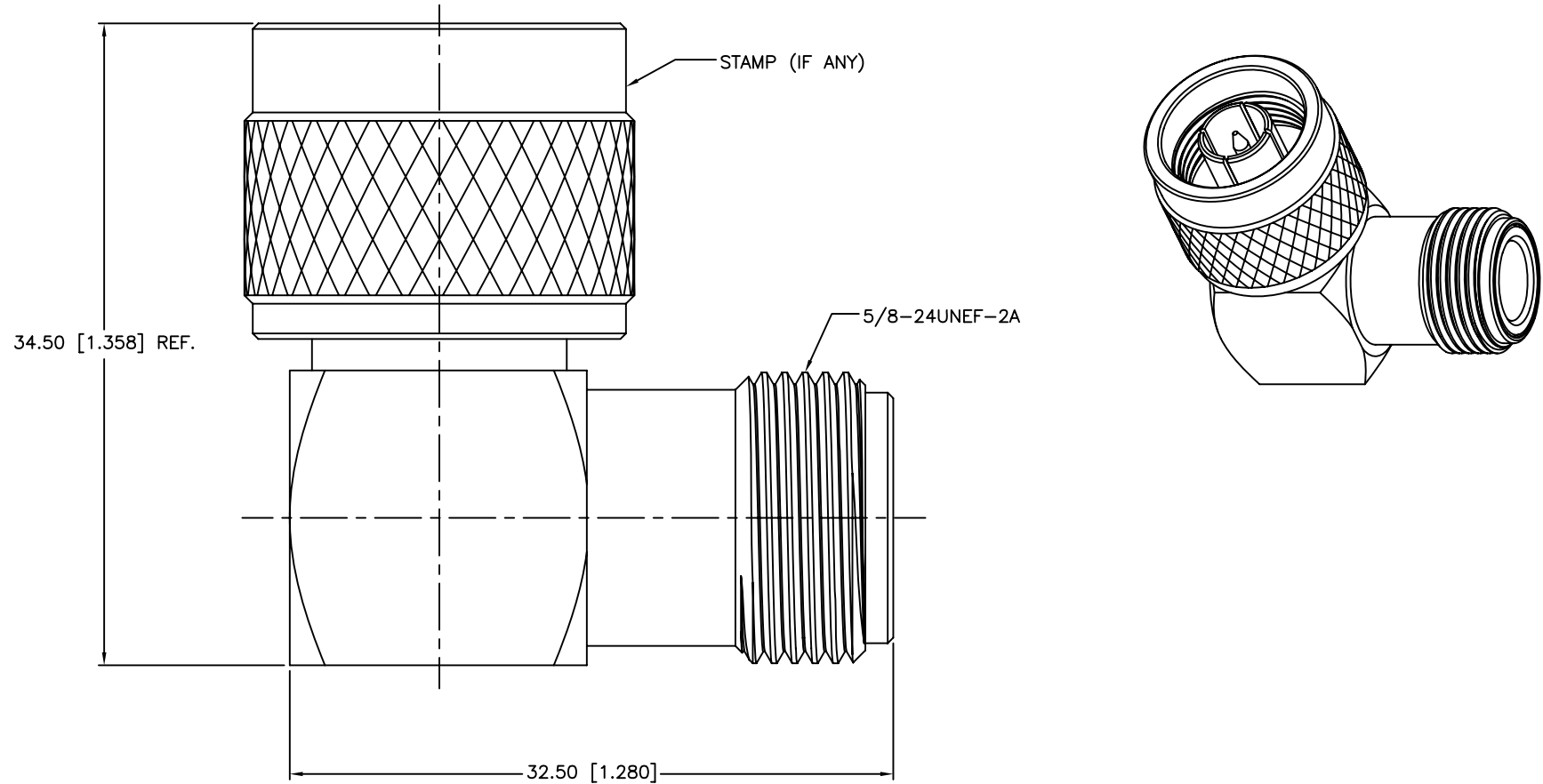


REV.	DATE	ECR NO.	DESCRIPTION
NC	03/16/09	XXXXXX	INITIAL RELEASE
A	11/05/13	2548	UPDATE DRAWING FORMAT, UPDATE VENDOR DRAWING



1. IMPEDANCE: 50 OHM
2. FREQUENCY RANGE: 0-11 GHZ
3. DIELECTRIC WITHSTANDING VOLTAGE: 2500 VRMS, MIN.
4. DURABILITY: 500 CYCLES MIN.
5. TEMPERATURE RANGE: -65°C TO +165°C

QTY	DESCRIPTION	MATERIAL	FINISH	DO NOT SCALE DRAWING	APPROVALS	DATE	Amphenol Connex		
1	SHELL	BRASS	NEXCOTE		DRAWN M.ZHANG	11/05/13	PART DESCRIPTION <b>N MALE TO FEMALE RIGHT ANGLE ADAPTER</b>		
1	GASKET	SILICONE RUBBER	RED		CHECKED				
1	RETAINING RING	SUS 304	NATURAL		ISSUED		PART NO. <b>172193</b>		
1	INNER BODY	BRASS	NEXCOTE		SHEET 1 OF 1		DWG. NO. 172193.DWG		
1	INSULATOR	PTFE	NATURAL		CAD FILE	C:/CONNEX/172193.DWG	REV. A	SIZE A	SCALE NA
1	CONTACT BODY	BRASS	NEXCOTE						
1	INSULATOR	PTFE	NATURAL						
1	CONTACT PIN	PHOSPHOR BRONZE	GOLD						
1	HOUSING WITH BODY	BRASS	NEXCOTE						

UNLESS OTHERWISE SPECIFIED DIMENSIONS ARE IN MILLIMETERS. DIMENSIONS IN [ ] ARE IN INCHES AND FOR CUSTOMER REFERENCE ONLY. UNLESS OTHERWISE SPECIFIED

TOLERANCES FOR MILLIMETERS ARE:  
 <0.5 ± 0.05mm  
 0.5 - 6mm ± 0.10mm  
 6 - 30mm ± 0.20mm  
 30 - 120mm ± 0.30mm  
 ANGLES ± 1°

UNLESS OTHERWISE SPECIFIED TOLERANCES FOR INCHES ARE:  
 <.020 ± 0.002"  
 .020 - .236 ± 0.004"  
 .236 - 1.180 ± 0.007"  
 1.180 - 4.724 ± 0.012"  
 ANGLES ± 1°

# Mouser Electronics

Authorized Distributor

Click to View Pricing, Inventory, Delivery & Lifecycle Information:

[Amphenol:](#)

[172193](#)