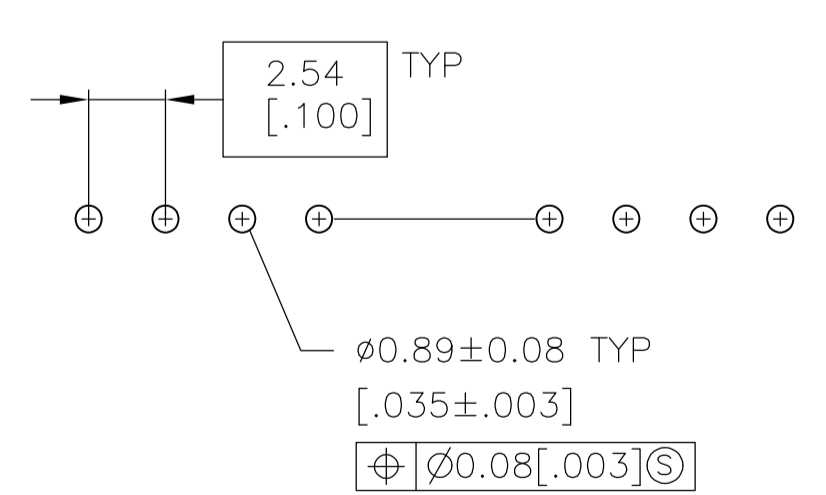
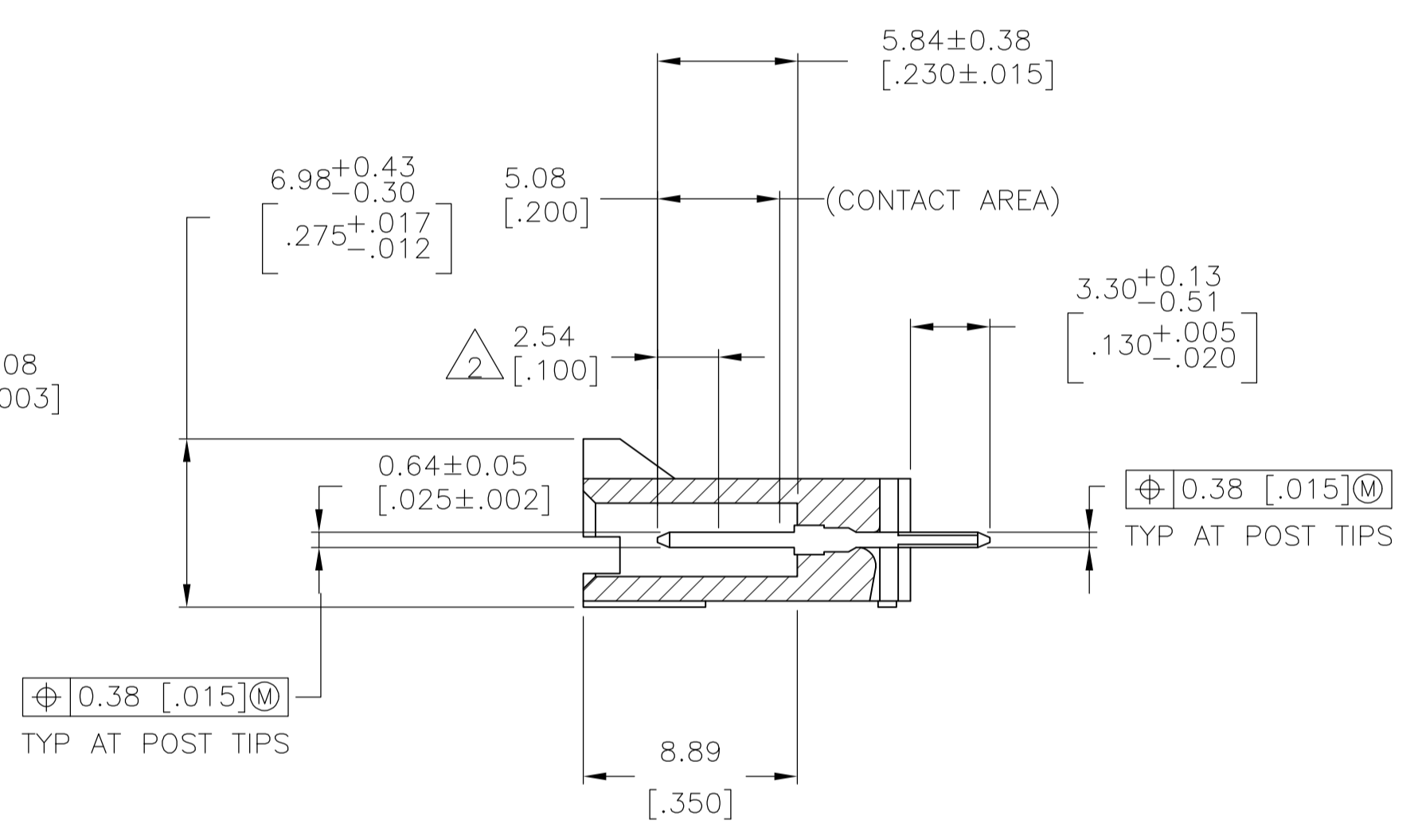
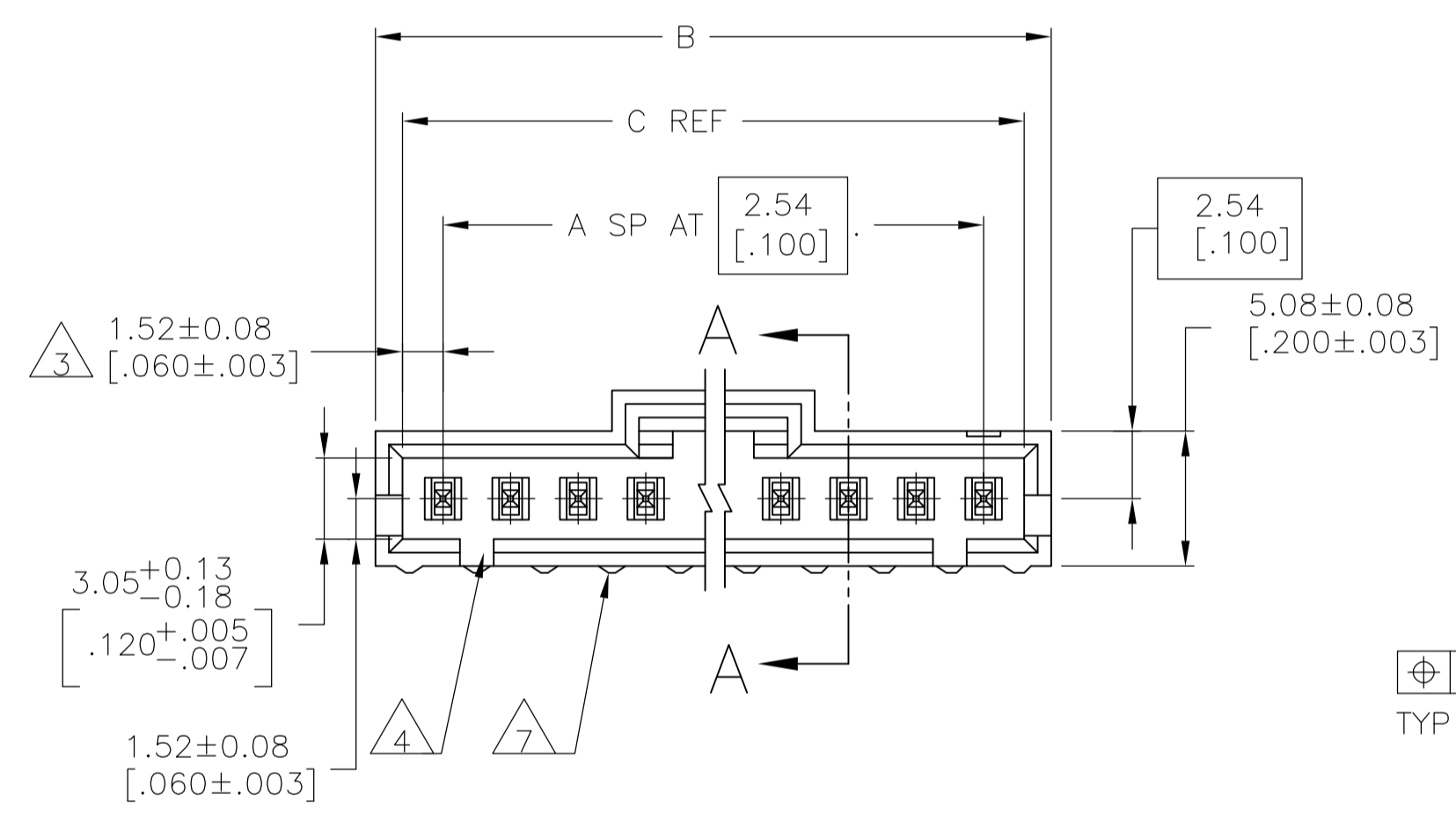
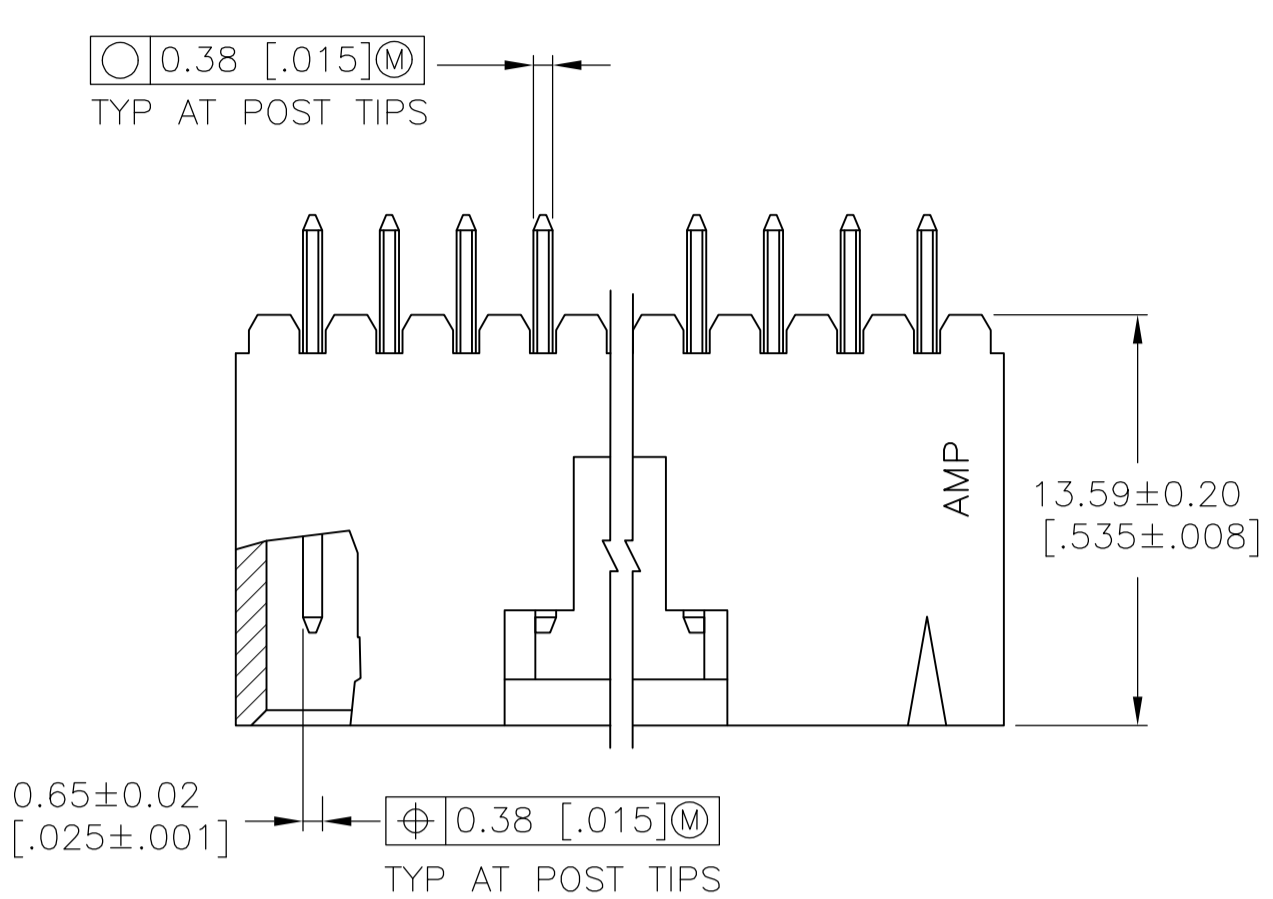


REVISIONS					
P	LTR	DESCRIPTION	DATE	DMN	APVD
U2		REVISED PER ECO-11-004587	11MAR11	RK	HMR
V		REVISED PER ECO-17-002209	11APR2017	RS	MM

- 1 .00076[.000030] GOLD IN THE CONTACT AREA, .00254[.000100] MATTE TIN-LEAD ON REMAINDER OF CONTACT, ALL OVER .00127[.000050] NICKEL.
- 2 POINT OF MEASUREMENT FOR PLATING THICKNESS.
- 3 THE NOTED DIMENSIONS APPLY AT THE INTERSECTION OF THE POST AND THE HOUSING.
- 4 ON ASSEMBLIES WITH FOUR OR MORE POSITIONS, TWO POLARIZATION SLOTS. ON ASSEMBLIES WITH TWO OR THREE POSITIONS, ONE POLARIZATION SLOT.
- 5 .00076[.000030] GOLD IN THE CONTACT AREA, .00254[.000100] MATTE TIN ON REMAINDER OF CONTACT, ALL OVER .00127[.000050] NICKEL.
- 6 HIGH TEMPERATURE CONFIGURATION
- 7 STANDOFFS NOT PRESENT ON UNDERSIDE OF ASSEMBLY
- 8 OBSOLETE PARTS: OBSOLETE CIS STREAMLINING PER D.RENAUD/D.SINISI



RECOMMENDED HOLE LAYOUT

REMARKS	PLATING	C	B	A	NO. OF POSN	PART NO.
		64.01 [2.520]	65.91 [2.595]	24	25	2-103735-4
8 OBSOLETE		61.47 [2.420]	63.37 [2.495]	23	24	-2-103735-3
8 OBSOLETE		58.93 [2.320]	60.83 [2.395]	22	23	-2-103735-2
8 OBSOLETE		56.39 [2.220]	58.29 [2.295]	21	22	-2-103735-1
8 OBSOLETE		53.85 [2.120]	55.75 [2.195]	20	21	-2-103735-0
		51.31 [2.020]	53.21 [2.095]	19	20	1-103735-9
8 OBSOLETE		48.77 [1.920]	50.67 [1.995]	18	19	-1-103735-8
		46.23 [1.820]	48.13 [1.895]	17	18	1-103735-7
		43.69 [1.720]	45.59 [1.795]	16	17	1-103735-6
		41.15 [1.620]	43.05 [1.695]	15	16	1-103735-5
		38.61 [1.520]	40.51 [1.595]	14	15	1-103735-4
		36.07 [1.420]	37.97 [1.495]	13	14	1-103735-3
		33.53 [1.320]	35.43 [1.395]	12	13	1-103735-2
		30.99 [1.220]	32.89 [1.295]	11	12	1-103735-1
		28.45 [1.120]	30.35 [1.195]	10	11	1-103735-0
		25.91 [1.020]	27.81 [1.095]	9	10	103735-9
		23.37 [0.920]	25.27 [0.995]	8	9	103735-8
		20.83 [0.820]	22.73 [0.895]	7	8	103735-7
		18.29 [0.720]	20.19 [0.795]	6	7	103735-6
		15.75 [0.620]	17.65 [0.695]	5	6	103735-5
		13.21 [0.520]	15.11 [0.595]	4	5	103735-4
		10.67 [0.420]	12.57 [0.495]	3	4	103735-3
		8.13 [0.320]	10.03 [0.395]	2	3	103735-2
		5.59 [0.220]	7.49 [0.295]	1	2	103735-1

THIS DRAWING IS A CONTROLLED DOCUMENT.

DIMENSIONS: mm [INCHES]  
 TOLERANCES UNLESS OTHERWISE SPECIFIED:  
 0 PLC ± -  
 1 PLC ± -  
 2 PLC ± 0.13[.005]  
 3 PLC ± -  
 4 PLC ± -  
 ANGLES ± -

MATERIAL: HOUSING: PLATE REMAINDER: SOLDER-BRACK: CONTACTS: BRASS  
 FINISH: SEE TABLE


THIS DRAWING IS A CONTROLLED DOCUMENT. DWG: S. SHUEY 3-5-91  
 CHK: L. CASTAGNA 3-27-91  
 APVD: L. CASTAGNA 3-27-91  
 NAME: L. CASTAGNA  
 PRODUCT SPEC: -  
 APPLICATION SPEC: -  
 WEIGHT: -  
 CUSTOMER DRAWING

**STE** TE Connectivity  
 HDR ASSY, VERT, SINGLE ROW  
 2.54[.100] @, 0.64[.025] SQ POST,  
 WITH PLZN & LATCHING, AMPMODU MTE

SIZE: A1  
 CAGE CODE: 00779  
 DRAWING NO: 103735  
 RESTRICTED TO: -  
 SCALE: 4:1 SHEET: 1 OF 2 REV: V

REVISIONS					
P	LYR	DESCRIPTION	DATE	DMN	APVD
		SEE SHEET 1	-	-	-

		$\triangle_6$	$\triangle_7$	$\triangle_5$	64.01 [2.520]	65.91 [2.595]	24	25	7-103735-4
$\triangle_8$	OBSOLETE	$\triangle_6$	$\triangle_7$	$\triangle_5$	61.47 [2.420]	63.37 [2.495]	23	24	-7-103735-3
$\triangle_8$	OBSOLETE	$\triangle_6$	$\triangle_7$	$\triangle_5$	58.93 [2.320]	60.83 [2.395]	22	23	-7-103735-2
$\triangle_8$	OBSOLETE	$\triangle_6$	$\triangle_7$	$\triangle_5$	56.39 [2.220]	58.29 [2.295]	21	22	-7-103735-1
$\triangle_8$	OBSOLETE	$\triangle_6$	$\triangle_7$	$\triangle_5$	53.85 [2.120]	55.75 [2.195]	20	21	-7-103735-0
		$\triangle_6$	$\triangle_7$	$\triangle_5$	51.31 [2.020]	53.21 [2.095]	19	20	6-103735-9
$\triangle_8$	OBSOLETE	$\triangle_6$	$\triangle_7$	$\triangle_5$	48.77 [1.920]	50.67 [1.995]	18	19	-6-103735-8
$\triangle_8$	OBSOLETE	$\triangle_6$	$\triangle_7$	$\triangle_5$	46.23 [1.820]	48.13 [1.895]	17	18	-6-103735-7
		$\triangle_6$	$\triangle_7$	$\triangle_5$	43.69 [1.720]	45.59 [1.795]	16	17	6-103735-6
		$\triangle_6$	$\triangle_7$	$\triangle_5$	41.15 [1.620]	43.05 [1.695]	15	16	6-103735-5
		$\triangle_6$	$\triangle_7$	$\triangle_5$	38.61 [1.520]	40.51 [1.595]	14	15	6-103735-4
		$\triangle_6$	$\triangle_7$	$\triangle_5$	36.07 [1.420]	37.97 [1.495]	13	14	6-103735-3
$\triangle_8$	OBSOLETE	$\triangle_6$	$\triangle_7$	$\triangle_5$	33.53 [1.320]	35.43 [1.395]	12	13	-6-103735-2
		$\triangle_6$	$\triangle_7$	$\triangle_5$	30.99 [1.220]	32.89 [1.295]	11	12	6-103735-1
		$\triangle_6$	$\triangle_7$	$\triangle_5$	28.45 [1.120]	30.35 [1.195]	10	11	6-103735-0
		$\triangle_6$	$\triangle_7$	$\triangle_5$	25.91 [1.020]	27.81 [1.095]	9	10	5-103735-9
		$\triangle_6$	$\triangle_7$	$\triangle_5$	23.37 [.920]	25.27 [0.995]	8	9	5-103735-8
		$\triangle_6$	$\triangle_7$	$\triangle_5$	20.83 [.820]	22.73 [.895]	7	8	5-103735-7
		$\triangle_6$	$\triangle_7$	$\triangle_5$	18.29 [.720]	20.19 [.795]	6	7	5-103735-6
		$\triangle_6$	$\triangle_7$	$\triangle_5$	15.75 [.620]	17.65 [.695]	5	6	5-103735-5
		$\triangle_6$	$\triangle_7$	$\triangle_5$	13.21 [.520]	15.11 [.595]	4	5	5-103735-4
		$\triangle_6$	$\triangle_7$	$\triangle_5$	10.67 [.420]	12.57 [.495]	3	4	5-103735-3
		$\triangle_6$	$\triangle_7$	$\triangle_5$	8.13 [.320]	10.03 [.395]	2	3	5-103735-2
		$\triangle_6$	$\triangle_7$	$\triangle_5$	5.59 [.220]	7.49 [.295]	1	2	5-103735-1
	REMARKS		PLATING		C	B	A	NO. OF POSN	PART NO.

THIS DRAWING IS A CONTROLLED DOCUMENT.		DMN S. SHUEY 3-5-91	 TE Connectivity
DIMENSIONS: mm [INCHES]		CHK L. CASTAGNA 3-27-91	
TOLERANCES UNLESS OTHERWISE SPECIFIED:		APVD L. CASTAGNA 3-27-91	NAME
0. PLC ± - 1. PLC ± - 2. PLC ± - 3. PLC ± - 4. PLC ± - ANGLES ± -		PRODUCT SPEC	HDR ASSY, VERT, SINGLE ROW 2.54[.100] @ 0.64[.025] SQ POST, WITH PLZN & LATCHING, AMPMODU MTE
MATERIAL: HOUSING: TAMP REMOVAL (UP) COLOUR-BLACK CONTACTS: BRASS		WEIGHT	SIZE: A1
FINISH: SEE TABLE		CAGE CODE: 00779	DRAWING NO: 103735
		CUSTOMER DRAWING	RESTRICTED TO: -
		SCALE: 4:1	SHEET 2 OF 2