

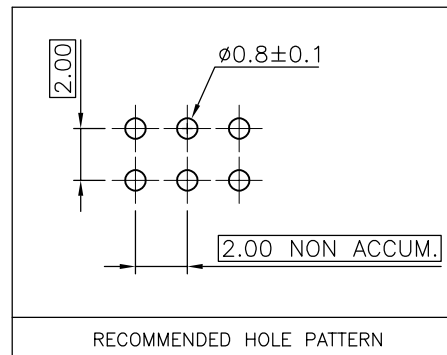
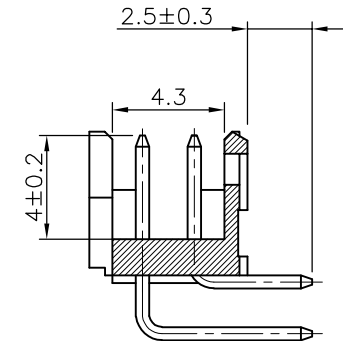
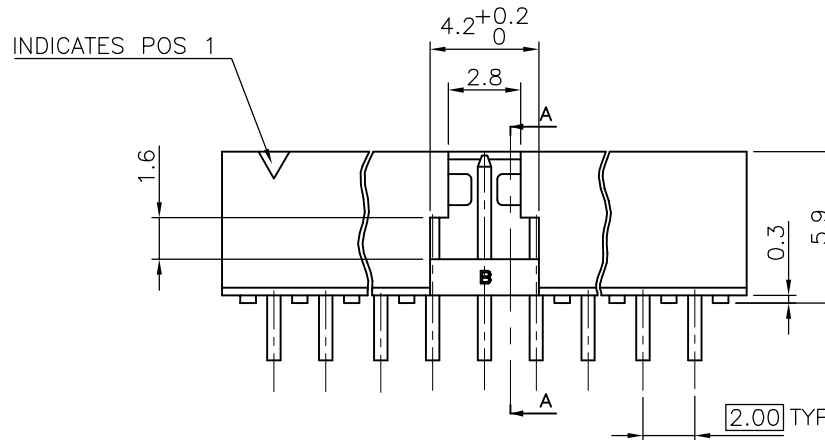
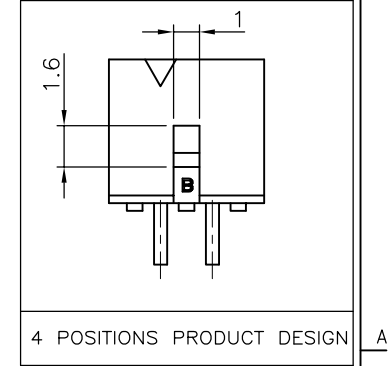
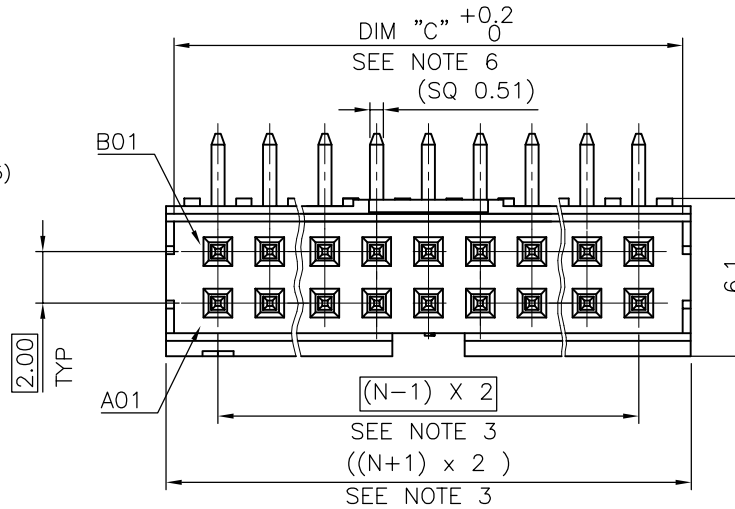
**PRODUCT NUMBER**  
98464-X61-XX-XXXLF

RoHS COMPATIBLE, SEE NOTE 8  
POLARIZATION (SEE NOTE 7)  
PACKAGING OPTIONAL LETTER (SEE NOTE 5)  
TOTAL NB OF POSITIONS, 04 TO 50  
COLOR OPTION, NOTE 1

**PLATING**  
S = 0.38µm GOLD/GXT ON CONTACT AREA  
2µm MIN MATTE TIN ON TAIL  
G = 0.76µm GOLD/GXT ON CONTACT AREA  
2µm MIN MATTE TIN ON TAIL  
F = GOLD FLASH ON CONTACT AREA  
2µm MIN MATTE TIN ON TAIL  
T = 2.0-5.0µm TIN FULL PLATED  
1.27µm Ni MIN UNDERPLATING

**NOTES:**

- MATERIAL HOUSING: HIGH TEMP. THERMOPLASTIC UL 94V-0  
- = STANDARD COLOR CREAM  
B = OPTIONAL COLOR BLACK
- MATERIAL TERMINAL: COPPER ALLOY
- TO DETERMINE DIMENSIONS:  
N = NUMBER OF POSITIONS PER ROW
- 7N MIN. PIN RETENTION IN EITHER DIRECTION.
- PACKAGING:  
= STANDARD PACKAGING IN POLYBAGS  
- = POLYBAGS WHEN POLARISATION FEATURE APPLICABLE  
U = TUBE AVAILABLE FROM 06 TO 50 POS
- FOR POLARIZATION, SPECIFIED PIN  
EXAMPLE: A03= ROW A, POSITION 03 TO OMIT PIN  
OMIT FROM PRODUCT NUMBER IF THIS FEATURE IS NOT APPLICABLE
- RoHS COMPATIBLE PRODUCT SPECIFICATIONS
  - PLATING:  
- "LF" MEANS THE PRODUCT IS LEAD-FREE,  
2µm MINIMUM MATTE TIN OVER 1.27µm  
MINIMUM NICKEL UNDERPLATE.
  - MANUFACTURING PROCESS COMPATIBILITY  
- THE HOUSING WILL WITHSTAND EXPOSURE TO  
260°C ±5°C SOLDER BATH TEMPERATURE FOR  
5 SECONDS IN A WAVE SOLDER APPLICATION  
WITH A 1.6mm MIN THICK CIRCUIT BOARD.  
  
- ALSO COMPATIBLE WITH REFLOW PROCESS  
260°C PEAK TEMPERATURE FOR 30 SECONDES  
MAX IN A CONVECTION, INFRA-RED OR VAPOR  
PHASE OR REFLOW OVEN.
  - LABELLING:  
- MEETS PACKAGING SPECS AS PER GS-14-920  
- THIS PRODUCT MEETS EUROPEAN DIRECTIVES  
AND OTHER COUNTRY REGULATIONS AS DISCRIBED  
IN GS-47-0004



mat'l. code		surface		tolerance		projection		product family	
SEE NOTES		ISO 1302		ISO 406 ISO 1101		mm		MINITEK	
ltr	ecn no	dr	date	tolerances unless otherwise specified		mm		title	
L	B-15815	JCO	13.09.11	X.X ±0.3		mm		SHR HEADER	
M	B-19190	LMU	14.10.24	linear X.XX ±0.13		mm		2.00 RIGHT ANGLE TMT	
N	B-19797	AMA	14.12.16	X.XXX ±0.05		scale 1:1		dwg no	
P	B-19988	LMU	15.01.13	dr L.MULIN 04.09.27		FCJ		sheet 1 of 1 size	
R	B-20254	LMU	15.02.16	engr J.COMPAGNON 04.09.27		FCJ		98464 A3	
S	F-32710	LMU	19.02.18	chr appd J.M.C 04.09.27		FCJ		type CUSTOMER Drawing	
sheet index		revision sheet							