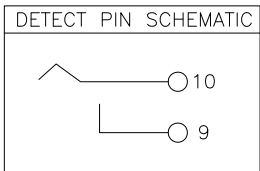
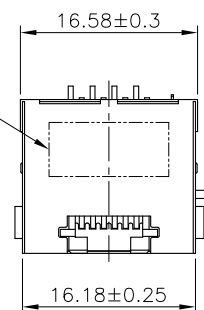


THIS DRAWING IS UNPUBLISHED. RELEASED FOR PUBLICATION
 © COPYRIGHT 2011 BY TYCO ELECTRONICS CORPORATION. ALL RIGHTS RESERVED.

LOC		DIST		REVISIONS			
DW		P	LTR	DESCRIPTION	DATE	DWN	APVD
		B		ECR-12-012115	26OCT12	EL	WK



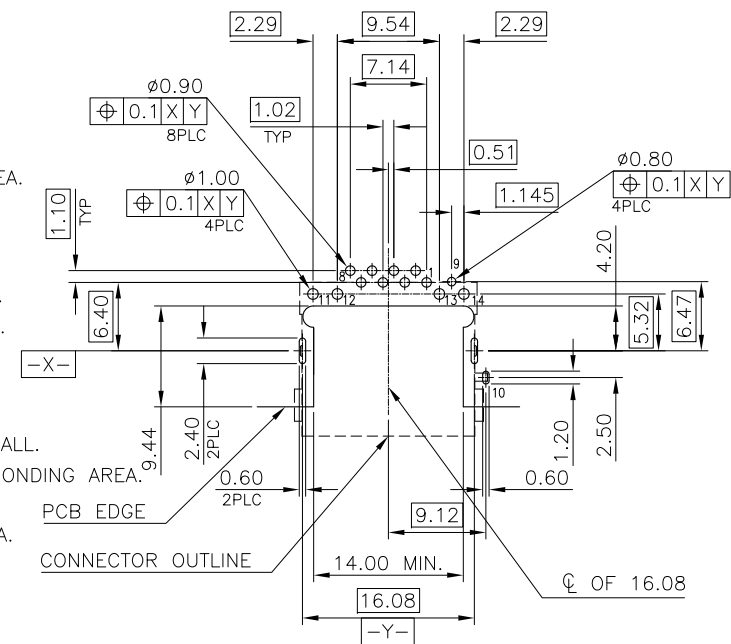
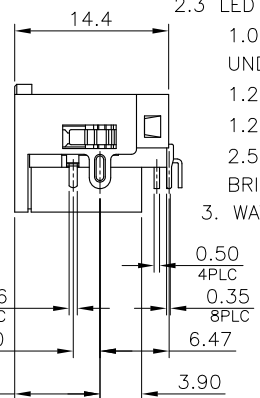
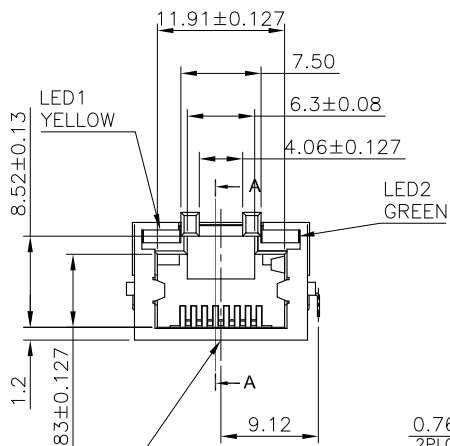
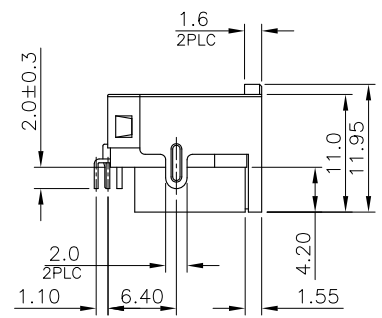
TE LOGO & DATE CODE



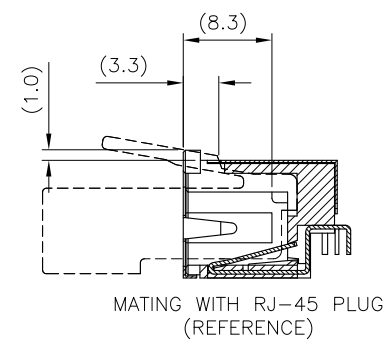
LED ELECTRICAL CHARACTERISTIC			
NO.	NODE	COLOR	TEST
LED1	11(+)	12(-)	YELLOW 11-12
LED2	13(+)	14(-)	GREEN 13-14

NOTES:

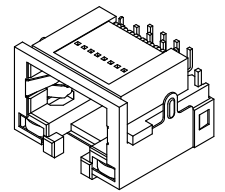
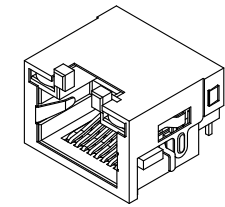
- MATERIAL:
 - HOUSING : PA9T WITH 30% GF, UL94 V-0; COLOR: BLACK.
 - INSERT HOUSING: PA46 WITH 30% GF, UL94 V-0; COLOR: BLACK.
 - CONTACT: PHOSPHOR BRONZE.
 - SWITCH: PHOSPHOR BRONZE.
 - SHELL: BRASS.
 - LED SOLDER TAIL: STEEL.
- FINISH:
 - CONTACT:
 - GOLD PLATED (SEE TABLE) ON CONTACT AREA.
 - GOLD FLASH ON SOLDER TAIL AREA.
 - 1.27µm [50µ"] MIN. NICKEL UNDERPLATED OVERALL.
 - SWITCH: 1.27µm [50µ"] MIN. NICKEL PLATED.
 - SHELL: 0.508µm [20µ"] MIN. NICKEL PLATED.
 - LED SOLDER TAIL:
 - 1.016µm [40µ"] COPPER UNDERPLATED OVERALL.
 - 1.27µm [50µ"] NICKEL OVERALL.
 - 1.27µm [50µ"] SILVER ON BONDING AREA.
 - 2.54µm [100µ"] BRIGHT-TIN ON SOLDER AREA.



RECOMMENDED PCB LAYOUT
 RECOMMENDED PCB THICKNESS: 1.6mm.
 TOLERANCE: ±0.05 (TOP VIEW)



OBSOLETE	1.37µm [50µ"]	-1775748-4
	0.762µm [30µ"]	-1775748-3
	0.381µm [15µ"]	-1775748-2
	0.152µm [6µ"]	1775748-1
	MIN. GOLD THICKNESS	PART NUMBER

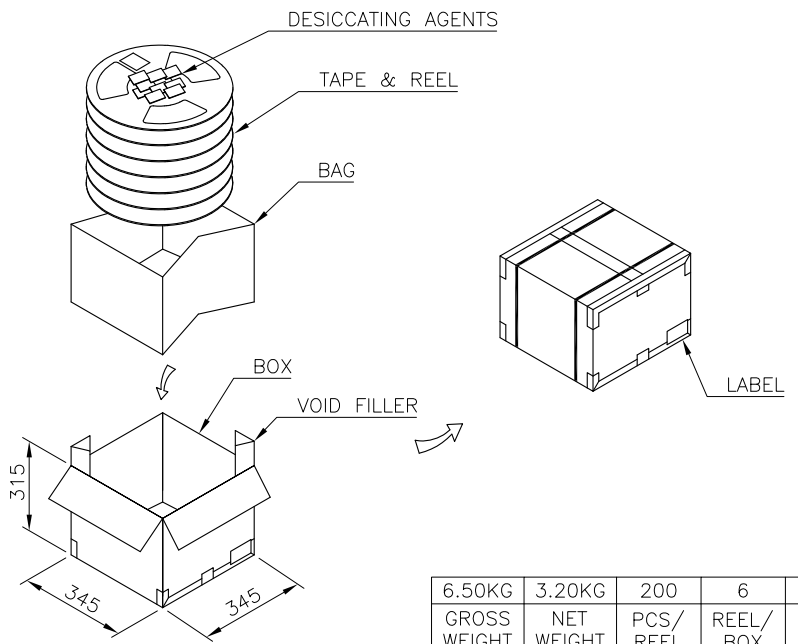
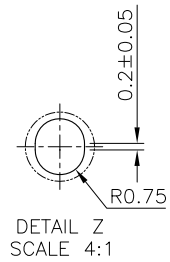
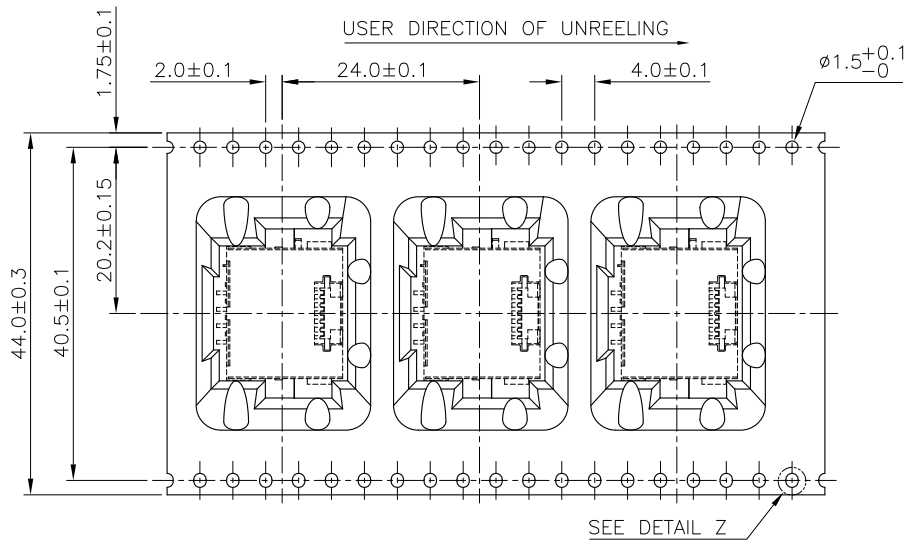
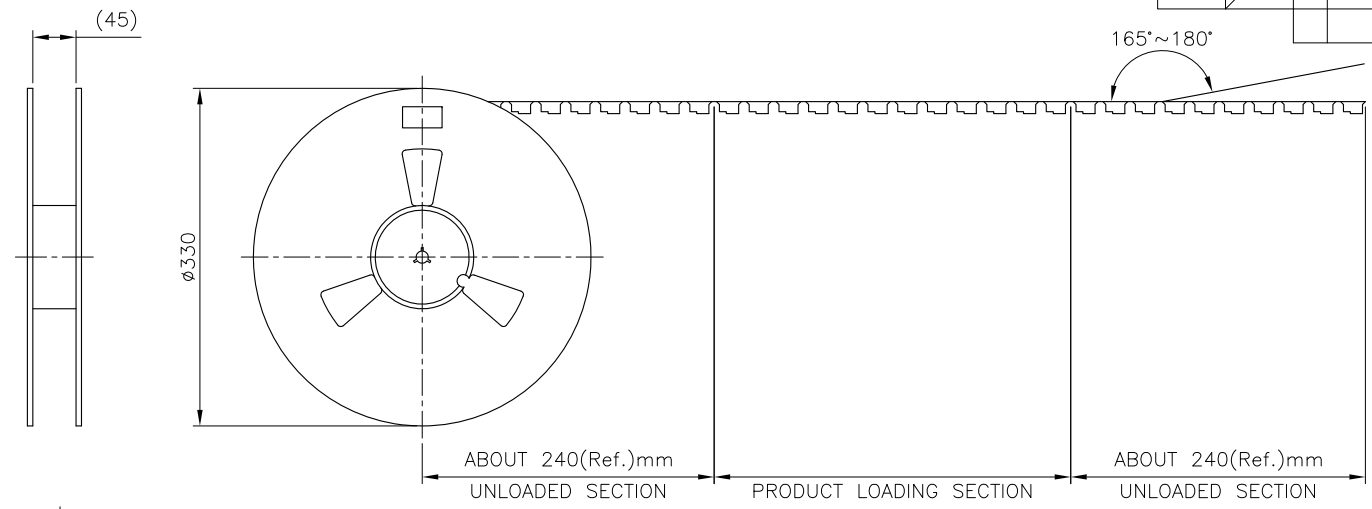


THIS DRAWING IS A CONTROLLED DOCUMENT.		DWN	B. HSING	07JAN2009	TE Connectivity NAME MODULAR JACK, RJ45, DIP, WITH SWITCH
DIMENSIONS: mm		CHK	S. CHIEN	07JAN2009	
TOLERANCES UNLESS OTHERWISE SPECIFIED:		APVD	W. KODAMA	07JAN2009	
0 PLC ± - 1 PLC ± 0.3 2 PLC ± 0.2 3 PLC ± 0.15 4 PLC ± - ± 3° ANGLES		PRODUCT SPEC	108-57742		
MATERIAL	SEE NOTE	FINISH	SEE NOTE	WEIGHT	2.67 GRAMS
CUSTOMER DRAWING		SCALE	A3 00779		C=1775748
		SHEET	1 OF 2		REV B

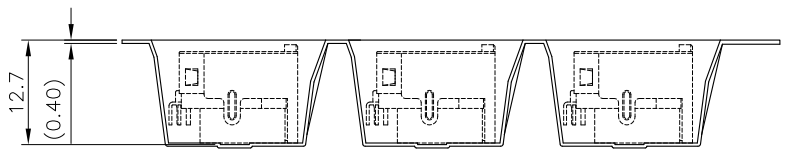
THIS DRAWING IS UNPUBLISHED. RELEASED FOR PUBLICATION
 © COPYRIGHT 2011 BY TYCO ELECTRONICS CORPORATION. ALL RIGHTS RESERVED.

LOC DW	DIST	REVISIONS			
P	LTR	DESCRIPTION	DATE	DWN	APVD
		SEE SHEET 1.			

- NOTE:
- EACH BAG SHALL BE INCLUDED:
*DESICCANT
 - PEELING STRENGTH: 0.1~1.3N(1~130 GRAMS)
FOR 12~56mm WIDE CARRIER TAPES
 - PEELING SPEED: 300mm/MINUTES.
 - PACKAGING MATERIAL:
 - COVER TAPE—COMPOSITE OF POLYETHYLENE TEREPHTHALATE (PET)
 - CARRIER—POLYSTYRENE (PS)
 - CARRIER REEL—POLYSTYRENE



6.50KG	3.20KG	200	6	1200
GROSS WEIGHT	NET WEIGHT	PCS/ REEL	REEL/ BOX	PCS/ BOX



THIS DRAWING IS A CONTROLLED DOCUMENT.		DWN	-		
DIMENSIONS: mm		CHK	-		
TOLERANCES UNLESS OTHERWISE SPECIFIED:		APVD	-		
0 PLC ±		PRODUCT SPEC	-		
1 PLC ±0.3		APPLICATION SPEC	-		
2 PLC ±0.2		WEIGHT	-		
3 PLC ±0.15		CUSTOMER DRAWING	-		
4 PLC ±		SCALE	-		
ANGLES ± 3'		SHEET	2 of 2		
MATERIAL	FINISH	REV	B		

STE TE Connectivity

NAME: MODULAR JACK, RJ45, DIP, WITH SWITCH

SIZE: A3 CAGE CODE: 00779 DRAWING NO: 1775748 RESTRICTED TO: -

Mouser Electronics

Authorized Distributor

Click to View Pricing, Inventory, Delivery & Lifecycle Information:

[TE Connectivity:](#)

[1775748-1](#)