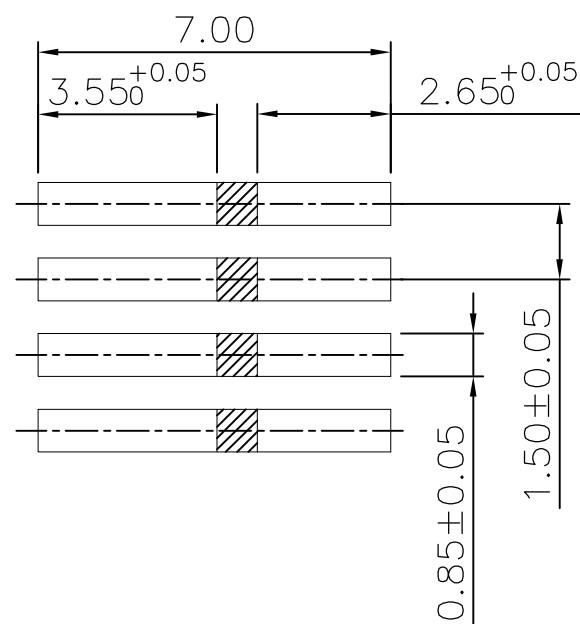
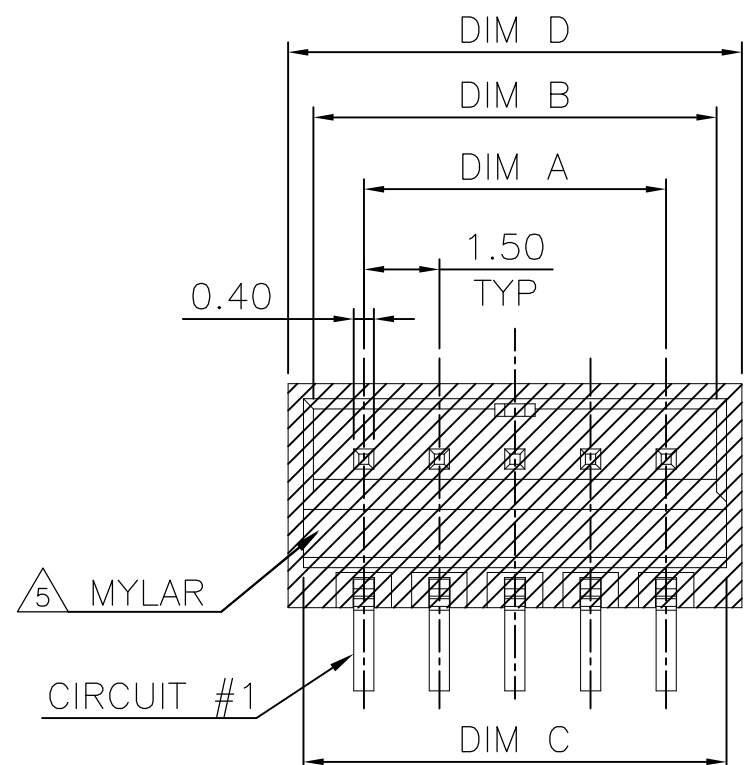


THIS DRAWING IS UNPUBLISHED. RELEASED FOR PUBLICATION
 © COPYRIGHT - BY - ALL RIGHTS RESERVED.

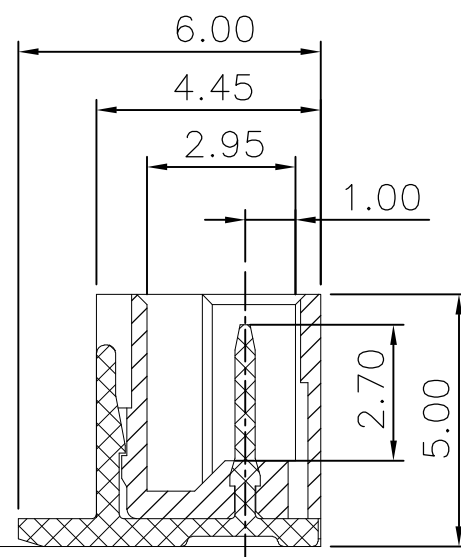
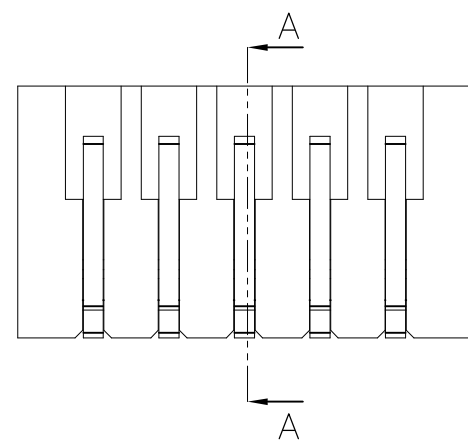
LOC		DIST		REVISIONS				
P	LTR	DESCRIPTION			DATE	DWN	APVD	
	B3	REVISED PER ECO-11-005301			07MAR11	RK	HMR	

NOTES:

- MATERIALS:
 HOUSING: THERMOPLASTIC, UL94-V0, COLOR: NATURAL.
 TERMINAL: BRASS, THICKNESS=0.4mm.
 MALAR: POLYIMIDE FILM
- FINISH:
 TERMINAL: 100μ" MIN. BRIGHT TIN PLATED OVER
 50μ" MIN. NICKEL UNDERPLATED ALL OVER.
- TERMINAL RETENTION FORCE: 1.0 Kgf MIN.
- REFLOW SOLDER CAPABLE TO 260°C PER TE CONNECTIVITY SPEC 109-201, CONDITION B.
- MYLAR ATTACHED

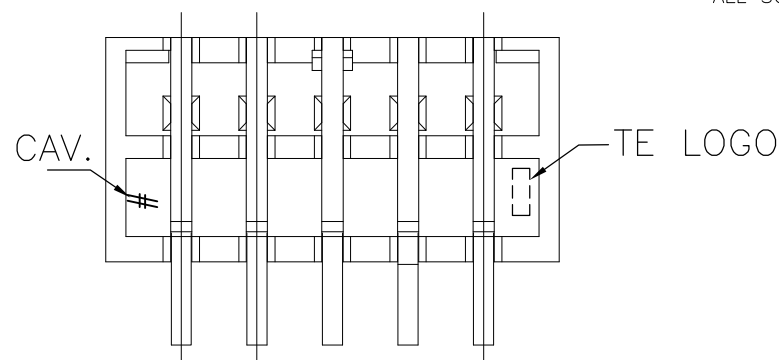


RECOMMENDED PCB LAYOUT



SECTION A-A

0.10
 ALL SOLDER TAILS



MYLAR	PACKAGE	DIMENSIONS				POS.	PART NUMBER
		D	C	B	A		
W/ REEL		24.00	23.40	23.00	21.00	15	6-1775443-5
		22.50	21.90	21.50	19.50	14	6-1775443-4
		21.00	20.40	20.00	18.00	13	6-1775443-3
		19.50	18.90	18.50	16.50	12	6-1775443-2
		18.00	17.40	17.00	15.00	11	6-1775443-1
		16.50	15.90	15.50	13.50	10	6-1775443-0
		15.00	14.40	14.00	12.00	9	5-1775443-9
		13.50	12.90	12.50	10.50	8	5-1775443-8
		12.00	11.40	11.00	9.00	7	5-1775443-7
		10.50	9.90	9.50	7.50	6	5-1775443-6
		9.00	8.40	8.00	6.00	5	5-1775443-5
		7.50	6.90	6.50	4.50	4	5-1775443-4
		6.00	5.40	5.00	3.00	3	5-1775443-3
		4.50	3.90	3.50	1.50	2	5-1775443-2
		W/O TUBE		24.00	23.40	23.00	21.00
22.50	21.90			21.50	19.50	14	1-1775443-4
21.00	20.40			20.00	18.00	13	1-1775443-3
19.50	18.90			18.50	16.50	12	1-1775443-2
18.00	17.40			17.00	15.00	11	1-1775443-1
16.50	15.90			15.50	13.50	10	1-1775443-0
15.00	14.40			14.00	12.00	9	1775443-9
13.50	12.90			12.50	10.50	8	1775443-8
12.00	11.40			11.00	9.00	7	1775443-7
10.50	9.90			9.50	7.50	6	1775443-6
9.00	8.40			8.00	6.00	5	1775443-5
7.50	6.90			6.50	4.50	4	1775443-4
6.00	5.40			5.00	3.00	3	1775443-3
4.50	3.90			3.50	1.50	2	1775443-2

THIS DRAWING IS A CONTROLLED DOCUMENT.

DWN S. CHIEN 27JUN2008
 CHK S. CHIEN 27JUN2008
 APVD W. KODAMA 27JUN2008

TE Connectivity

NAME: EMIX CONN., 1.5mm PITCH HDR, VERTICAL

PRODUCT SPEC: 108-57631

QUALIFICATION TEST REPORT: 501-57736

WEIGHT: - GRAMS

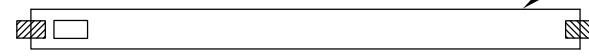
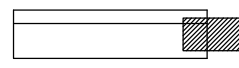
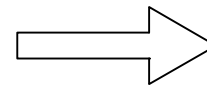
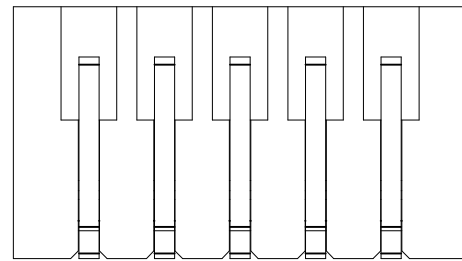
SIZE: A3 CAGE CODE: 00779 DRAWING NO: C=1775443 RESTRICTED TO: -

MATERIAL: SEE NOTE FINISH: SEE NOTE

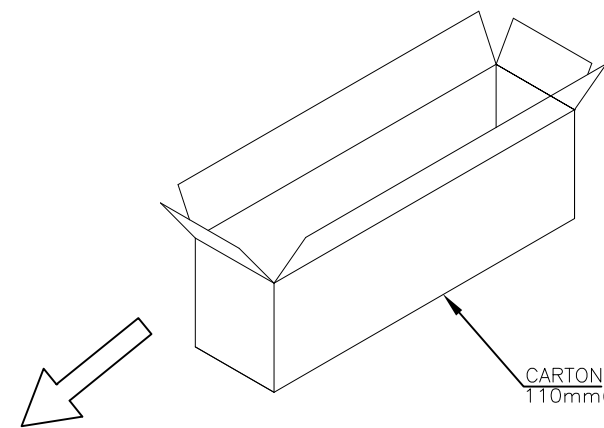
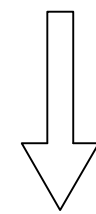
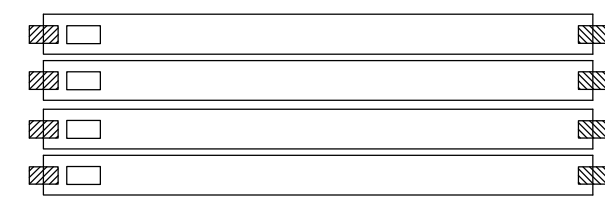
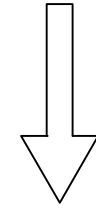
CUSTOMER DRAWING SCALE: - SHEET: 1 OF 3 REV: B3

THIS DRAWING IS UNPUBLISHED. RELEASED FOR PUBLICATION - . - .
 © COPYRIGHT - BY - ALL RIGHTS RESERVED.

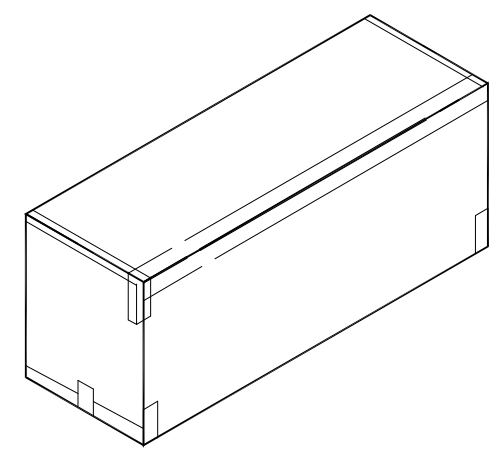
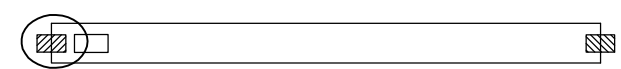
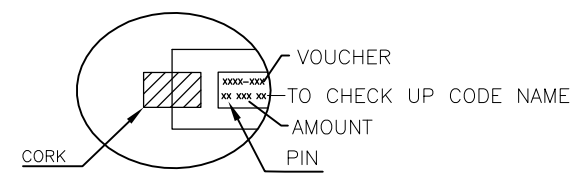
LOC DW	DIST /	REVISIONS		
P	LTR	DESCRIPTION	DATE	DWN
		SEE SHEET 1.		APVD



TUBE
600mm(L)*8.2mm(W)*9.4mm(H)



CARTON
110mm(L)*100mm(W)*615mm(H)



20	100	2000	15	1-1775443-5
25	100	2500	14	1-1775443-4
25	100	2500	13	1-1775443-3
25	100	2500	12	1-1775443-2
30	100	3000	11	1-1775443-1
35	100	3500	10	1-1775443-0
35	100	3500	9	1775443-9
40	100	4000	8	1775443-8
45	100	4500	7	1775443-7
55	100	5500	6	1775443-6
60	100	6000	5	1775443-5
75	100	7500	4	1775443-4
95	100	9500	3	1775443-3
125	100	12500	2	1775443-2

PCS/TUBE	TUBES/CARTON	QUANTITY (PCS)	POS.	PART NUMBER
----------	--------------	----------------	------	-------------

THIS DRAWING IS A CONTROLLED DOCUMENT.		DWN			
DIMENSIONS: MM		CHK			
TOLERANCES UNLESS OTHERWISE SPECIFIED:		APVD	NAME		
0 PLC ± -		PRODUCT SPEC	EMIX CONN., 1.5mm PITCH HDR, VERTICAL		
1 PLC ± -		APPLICATION SPEC	SIZE	CAGE CODE	DRAWING NO
2 PLC ± -		WEIGHT	A3	00779	C=1775443
3 PLC ± -		CUSTOMER DRAWING	SCALE	SHEET	REV
4 PLC ± -			-	2 OF 3	B3
ANGLES ± -					
FINISH					
MATERIAL					

4

3

2

1

THIS DRAWING IS UNPUBLISHED.

RELEASED FOR PUBLICATION

- . - .

ALL RIGHTS RESERVED.

© COPYRIGHT - BY -

LOC
DWDIST
/

REVISIONS

P	LTR	DESCRIPTION	DATE	DWN	APVD
		SEE SHEET 1.			

800	4	3200	15	6-1775443-5
800	4	3200	14	6-1775443-4
800	4	3200	13	6-1775443-3
800	4	3200	12	6-1775443-2
800	4	3200	11	6-1775443-1
800	4	3200	10	6-1775443-0
800	6	4800	9	5-1775443-9
800	6	4800	8	5-1775443-8
800	6	4800	7	5-1775443-7
800	6	4800	6	5-1775443-6
800	6	4800	5	5-1775443-5
800	9	7200	4	5-1775443-4
800	9	7200	3	5-1775443-3
800	9	7200	2	5-1775443-2

PCS/REEL	REELS/CARTON	QUANTITY (PCS)	POS.	PART NUMBER
----------	--------------	----------------	------	-------------

THIS DRAWING IS A CONTROLLED DOCUMENT.

DWN

CHK

APVD

PRODUCT SPEC

APPLICATION SPEC

WEIGHT

-

-

-

-

-

-

-

-

-

-

-

-

-

-

-

-

-

-

-

-

-

-

-

-

-

-

-

-

-

-

-

-

-

-

-

-

-

-

-

-

-

-

-

-

-

-

-

-

-

-

-

-

-

-

-

-

-

-

-

-

-

-

-

-

-

-

-

-

-

-

-

-

-

-

-

-

-

-

-

-

-

-

-

-

-

-

-

-

-

-

-

-

-

-

-

-

-

-

-

-

-

-

-

-

-

-

-

-

-

-

-

-

-

-

-

-

-

-

-

-

-

-

-

-

-

-

-

-

-

-

-

-

-

-

-

-

-

-

-

-

-

-

-

-

-

-

-

-

-

-

-

-

-

-

-

-

-

-

-

-

-

-

-

-

-

-

-

-

-

-

-

-

-

-

-

-

-

-

-

-

-

-

-

-

-

-

-

-

-

-

-

-

-

-

-

-

-

-

-

-

-

-

-

-

-

-

-

-

-

-

-

Mouser Electronics

Authorized Distributor

Click to View Pricing, Inventory, Delivery & Lifecycle Information:

[TE Connectivity:](#)

[5-1775443-5](#)