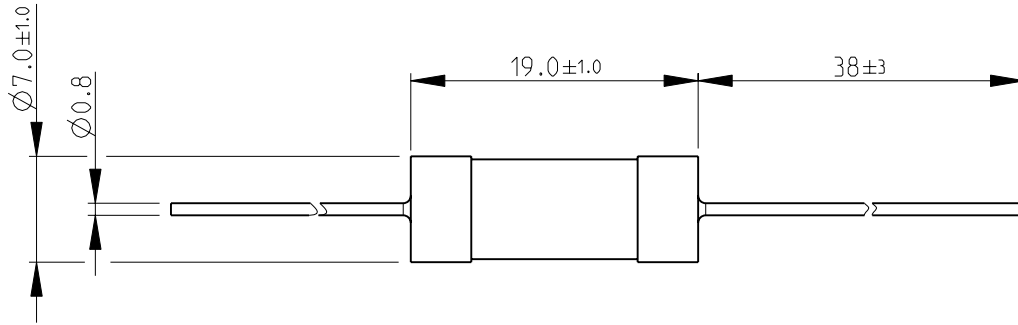
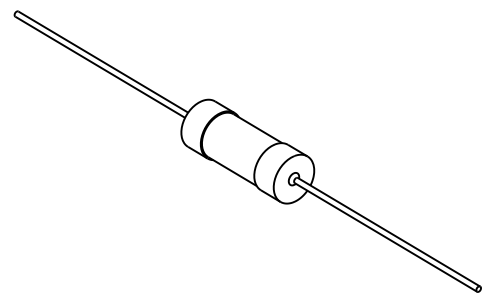


LOC	DIST	REVISIONS			
P	LTR	DESCRIPTION	DATE	DWN	APVD
E	B	BA1	REVISED PER ECO-11-005150	29MAR2011	RK HMR

FOR FURTHER INFORMATION SEE DATA SHEET FOR CCR SERIES-CERAMIC COMPOSITION RESISTORS



RoHS Compliant



SCALE 1:1


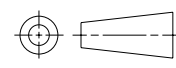
2008

RELEASED FOR PUBLICATION

ALL RIGHTS RESERVED.

THIS DRAWING IS UNPUBLISHED.

© COPYRIGHT 2008

DIMENSIONS:		DWN	19-Sep-08	MATERIAL	-	FINISH	-
mm		SUBHASH.M		 TE Connectivity			
TOLERANCES UNLESS OTHERWISE SPECIFIED:		CHK	19-Sep-08				
0 PLC	$\pm 0.2$	APVD	19-Sep-08	NAME CERAMIC COMPOSITION RESISTORS SERIES CCR2			
1 PLC	$\pm 0.1$	STEPHEN.P					
2 PLC	$\pm$	PRODUCT SPEC	-	SIZE	CAGE CODE	DRAWING NO	RESTRICTED TO
3 PLC	$\pm$	APPLICATION SPEC	-	A 4	00779	C-1623720	-
4 PLC	$\pm$	WEIGHT	-	CUSTOMER DRAWING			
ANGLES	$\pm 5^\circ$			SCALE	2:1	SHEET	1 OF 1
				REV BA1			

# Mouser Electronics

Authorized Distributor

Click to View Pricing, Inventory, Delivery & Lifecycle Information:

[TE Connectivity:](#)

[CCR247RKB](#)