

REVISIONS				
P.	LTN.	DESCRIPTION	DATE	APVD.
C	REV PER ECO	18-010457	7-24-18	CT CJ

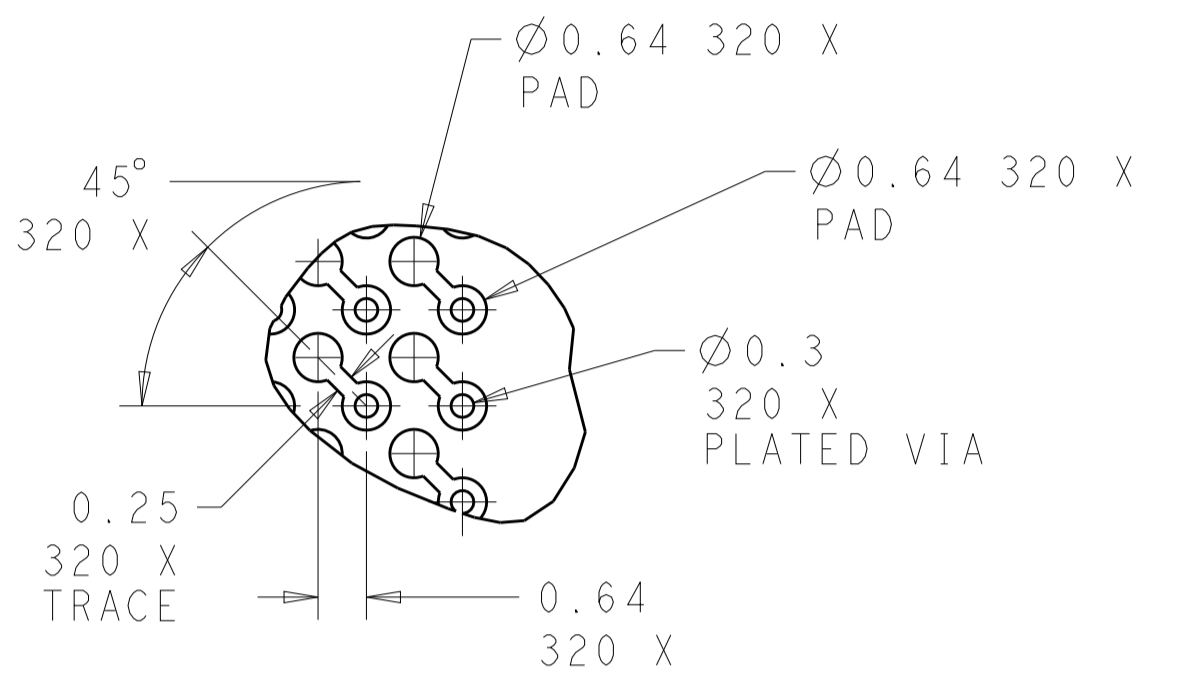
⚠ MATERIAL: HOUSINGS LCP, COLOR: NATURAL
 CONTACT: PHOSPHOR BRONZE.
 SOLDER BALL: SEE TABLE
 FILM TAPE: KAPTON WITH SILICON ADHESIVE.

⚠ FINISH: CONTACTS: GOLD (SEE TABLE) ON MATING AREAS
 NICKEL ON ENTIRE CONTACT.

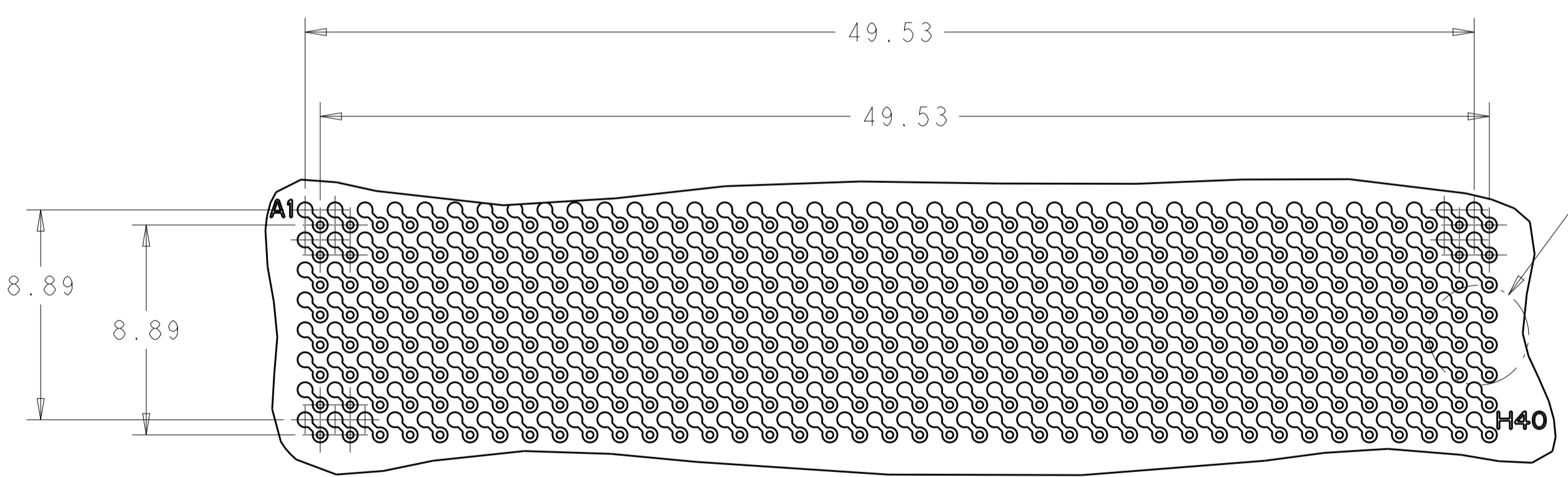
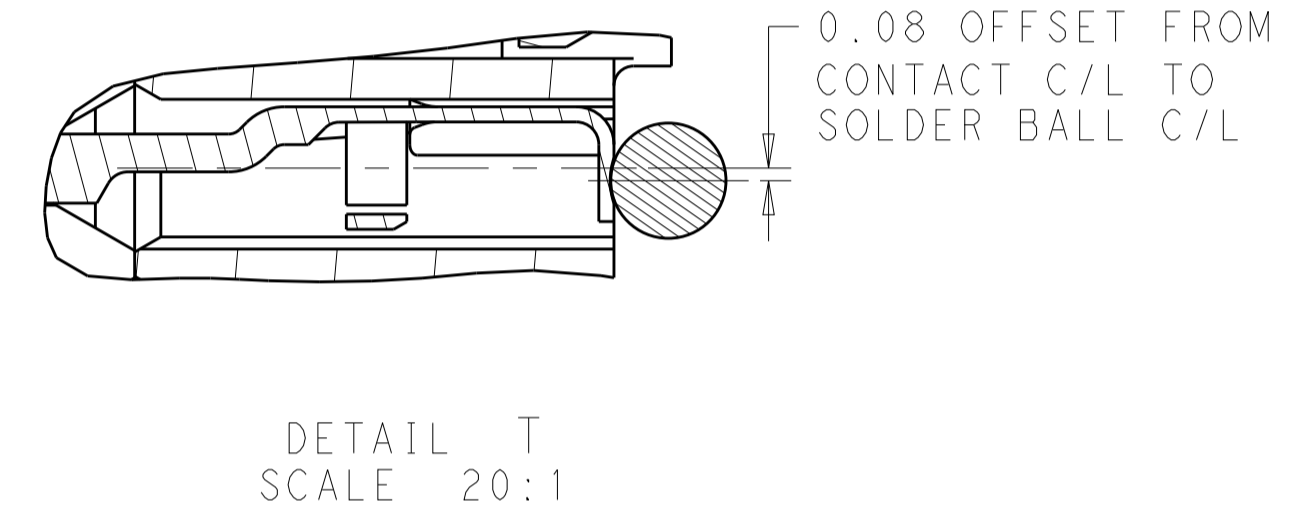
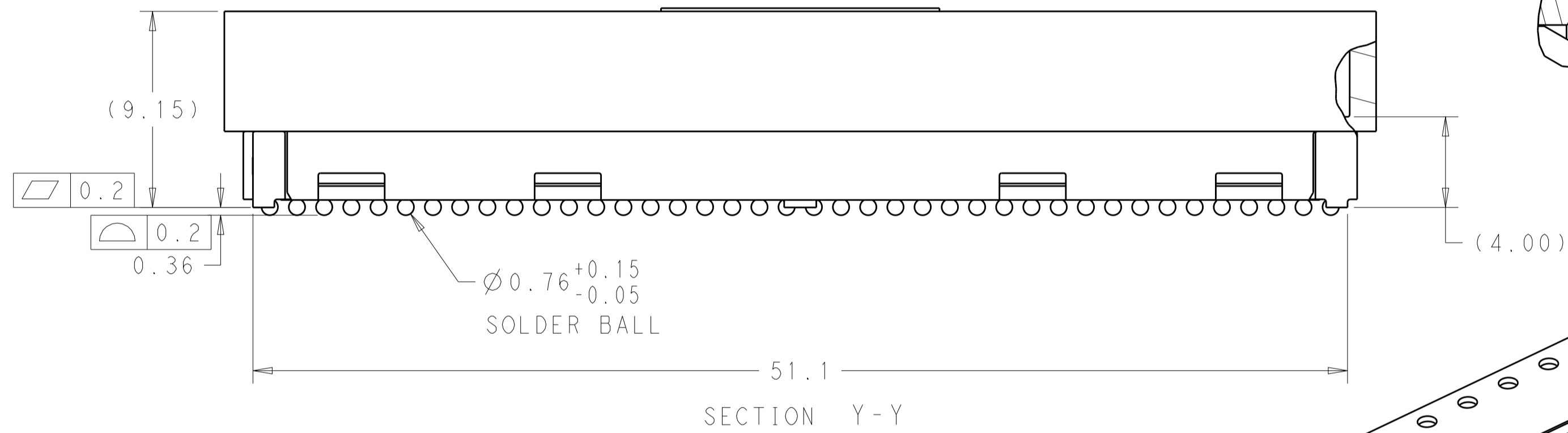
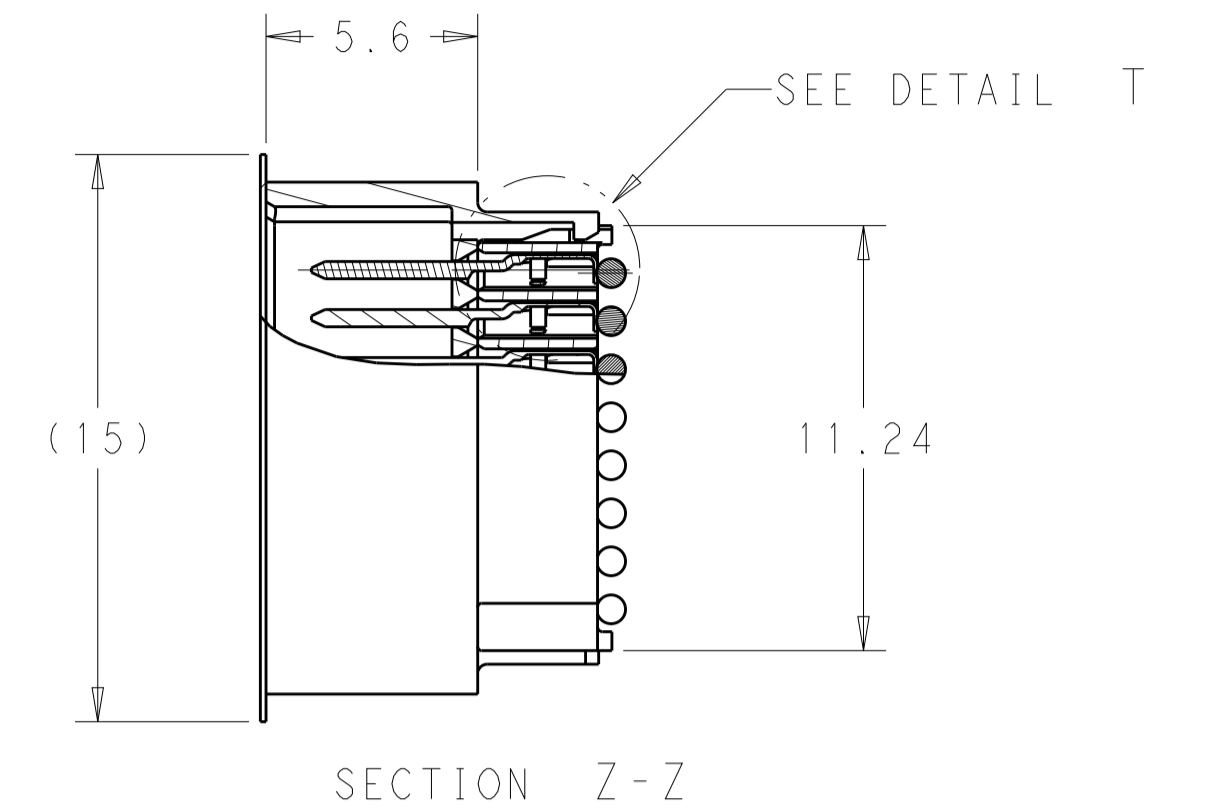
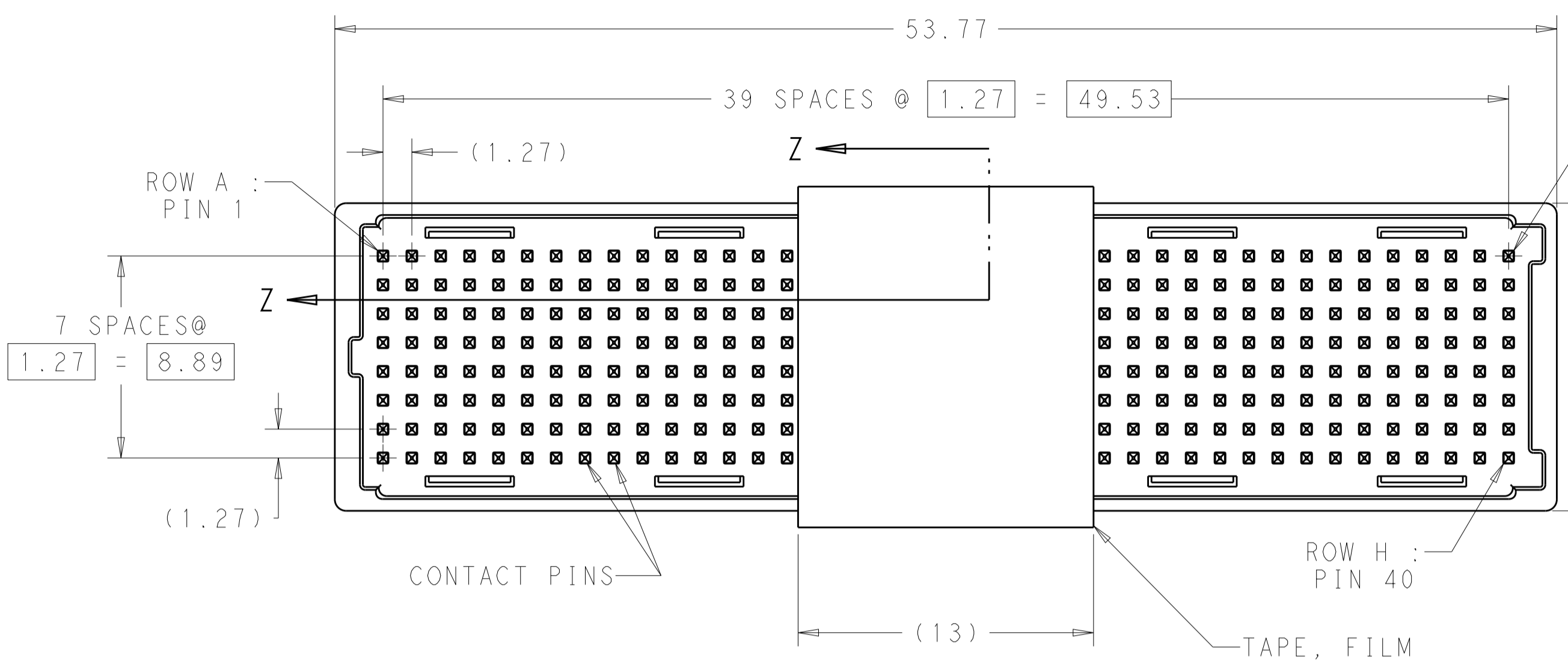
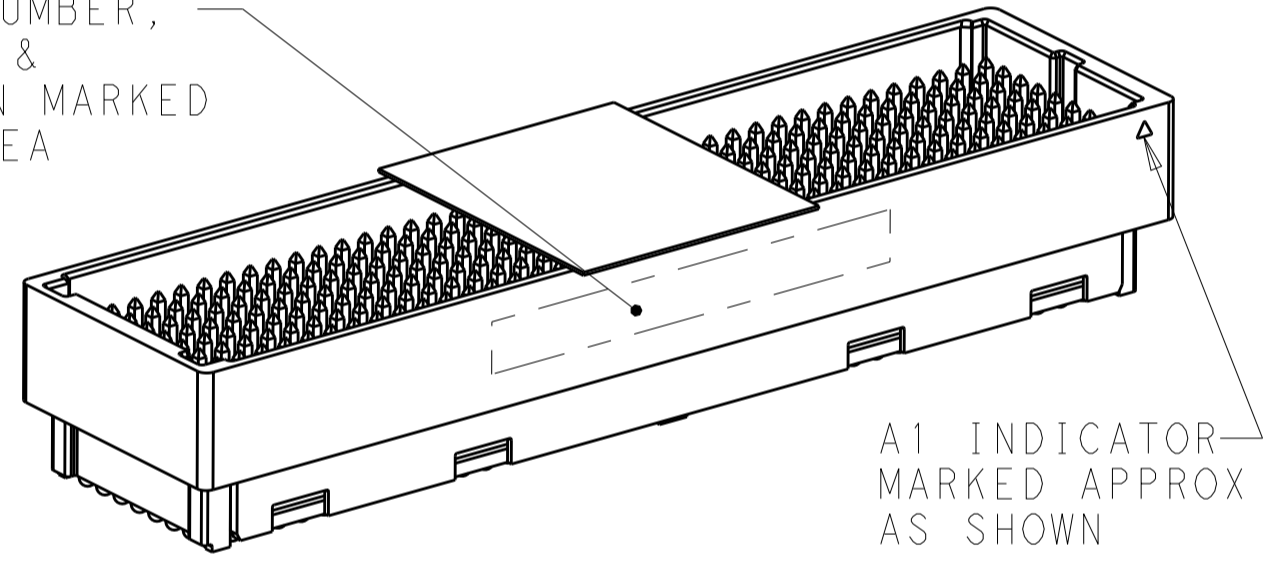
3. PRODUCT IS PACKAGED ON TAPE AND REELED.

⚠ PRELIMINARY PART.

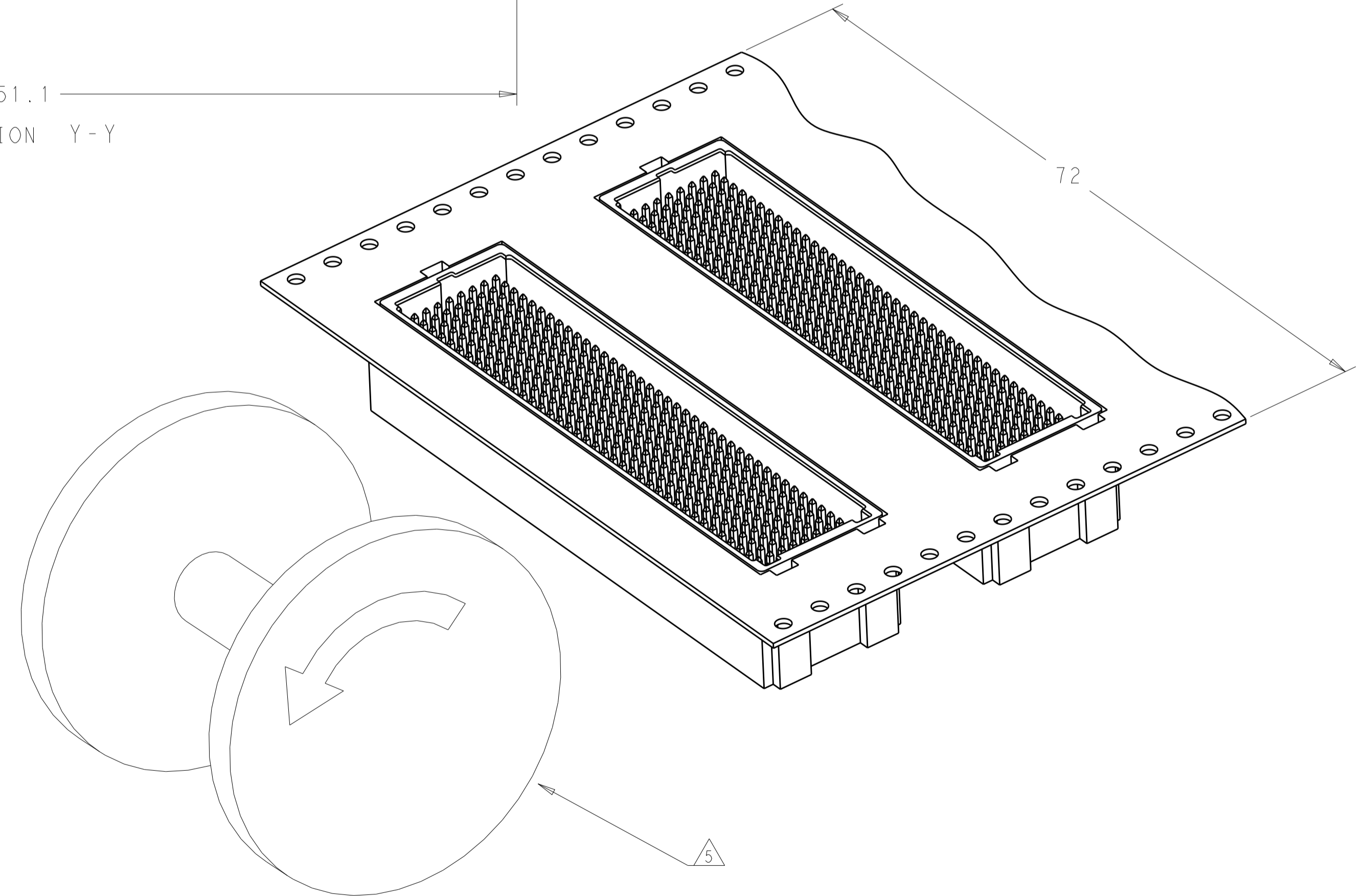
⚠ DIAGRAM REPRESENTS THE REELING DIRECTION OF THE PACKAGED CONNECTORS. THERE ARE 10 EMPTY POCKETS AT THE BEGINNING OF THE REEL AND 15 EMPTY POCKETS AT THE END OF THE REEL.



ASSEMBLY PART NUMBER, DATE CODE & COUNTRY OF ORIGIN MARKED IN THIS AREA



PCB LAYOUT (CONNECTOR SIDE)



1-2102430-2	1-2102430-6	2102430-8	2102430-6	0.76 μm	LEAD FREE PER SAC405	2102429-4
SUPERSEDED BY 2102429-1	1-2102430-1	1-2102430-5	2102430-7	0.76 μm	TIN LEAD	2102429-3
SUPERSEDED BY 2102429-4	1-2102430-0	1-2102430-4	2102430-4	1.27 μm	LEAD FREE PER SAC405	2102429-2
	2102430-9	1-2102430-3	2102430-3	1.27 μm	TIN LEAD	2102429-1
	18mm STACK MATING CONNECTOR	15mm STACK MATING CONNECTOR	12mm STACK MATING CONNECTOR	10mm STACK MATING CONNECTOR	GOLD PLATING THICKNESS	SOLDER BALL MATERIAL
						PART NUMBER

THIS DRAWING IS A CONTROLLED DOCUMENT.		OWN: 18 JUL 2012	TE Connectivity
DIMENSIONS: mm		CHK: MCKIBBEN, JOHN	
TOLERANCES UNLESS OTHERWISE SPECIFIED:		APVD: DOWHOWER, KENNETH	NAME: ASSEMBLY, PIN HOUSING XMC MEZZANINE 320 POSITION
0 PLC ±0.5 1 PLC ±0.13 2 PLC ±0.13 3 PLC ±0.013 4 PLC ±0.0001		PRODUCT SPEC: 108-2411	
MATERIAL: ⚠		FINISH: ⚠	APPLICATION SPEC: 114-132776
SIZE: A1		CAGE CODE: 00779	DRAWING NO: 2102429
CUSTOMER DRAWING		SCALE: 3:1	SHEET 1 OF 1 REV C

Mouser Electronics

Authorized Distributor

Click to View Pricing, Inventory, Delivery & Lifecycle Information:

[TE Connectivity:](#)

[2102429-4](#)