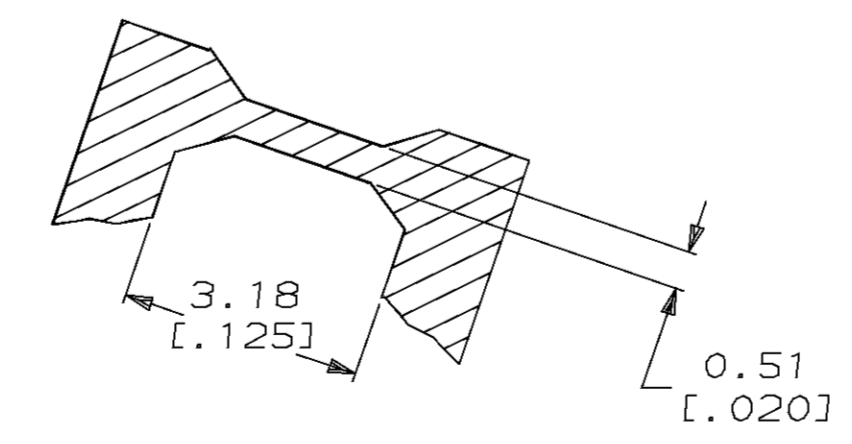
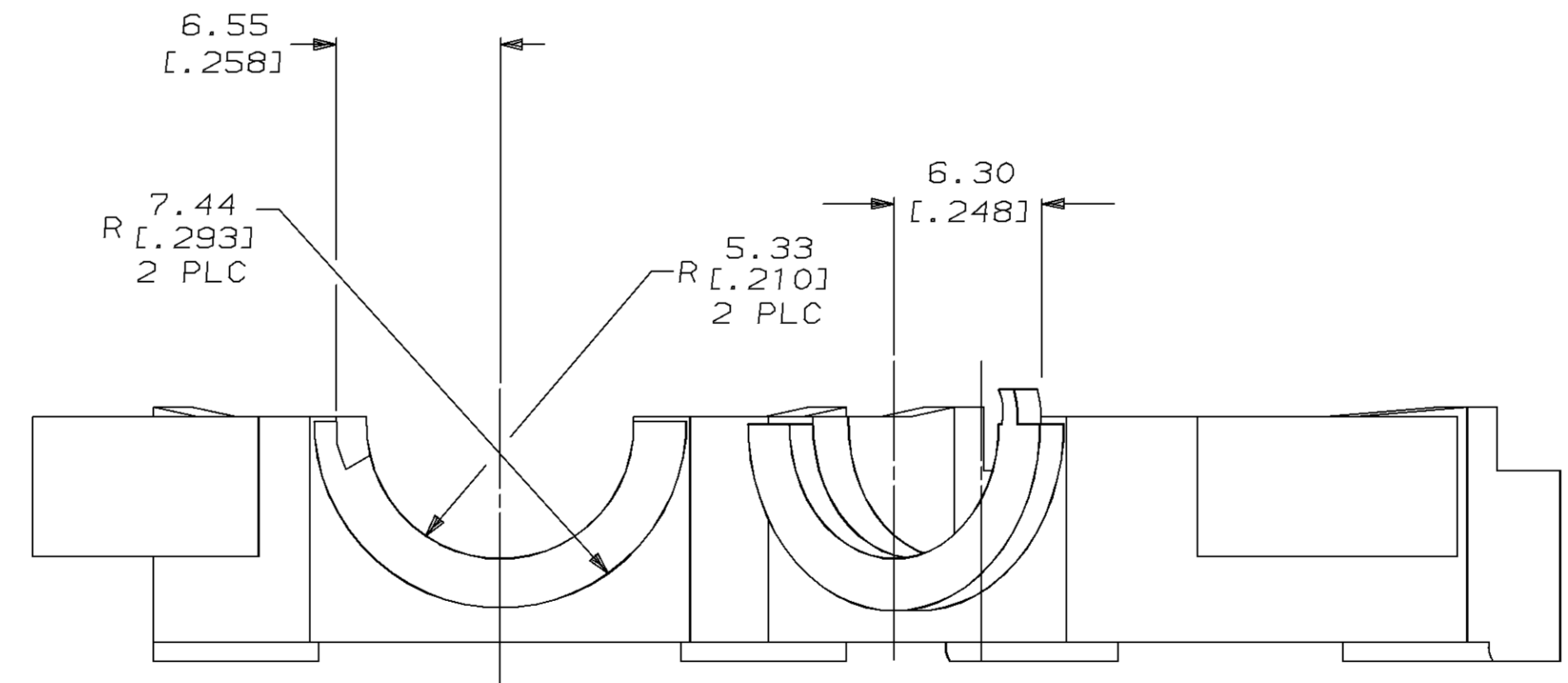
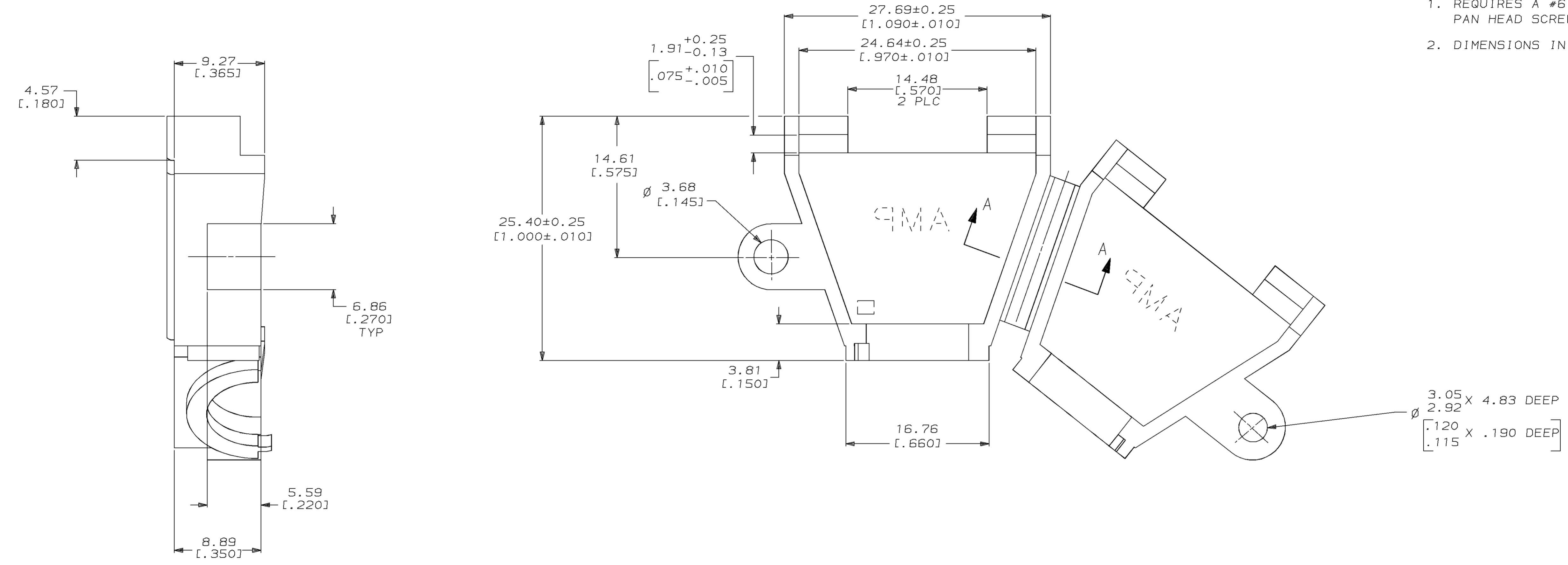
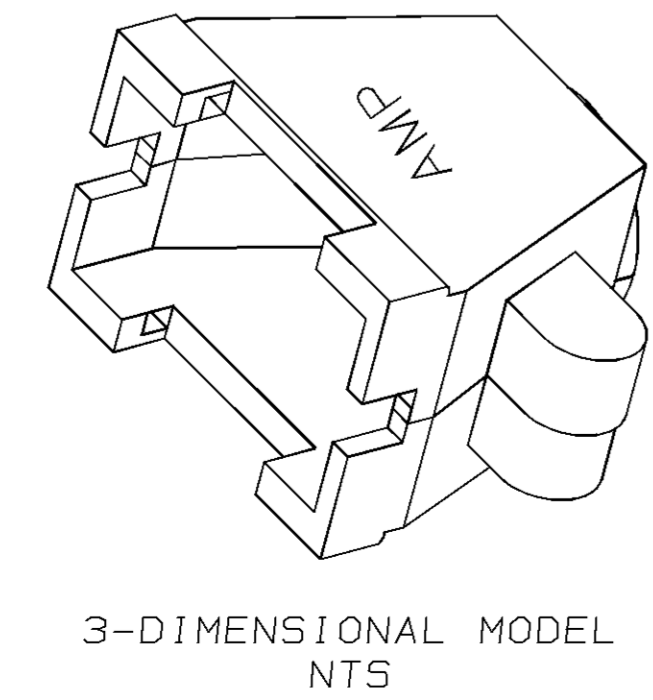


LOC		DIST		ZONE		LTR		REVISIONS	
CM	52	P	F			J		REV & REDWN PER EC 0730-0072-94	8-26-93
									APPD K5

- REQUIRES A #6 PAN HEAD TYPE "B" SELF TAPPING PAN HEAD SCREW, 9.53 [.375] LONG.
- DIMENSIONS IN BRACKETS ARE IN INCHES.



SECTION A-A
SCALE 10:1



THIS DRAWING IS A CONTROLLED DOCUMENT FOR AMP INCORPORATED. IT IS SUBJECT TO CHANGE AND THE CONTROLLING ENGINEERING ORGANIZATION SHOULD BE CONTACTED FOR THE LATEST REVISION.

BLACK	1-359523-9
BRICK RED	350523-1
COLOR	PART NO

DO NOT SCALE PRINT. UNLESS SPECIFIED DIMENSIONS IN mm [INCHES] TOLERANCES ON: 2 PLC DEC ± 0.13(.005) 3 PLC DEC ± - ANGLES ± -	DR 8-26-93 K. SALMON	AMP Incorporated Harrisburg, PA 17105-3608	
MATERIAL NYLON	CHK 8-26-93 R. SWING	NAME STRAIN RELIEF, HINGED, 15 POSITION	
FINISH COLOR, SEE TABLE	APPD - W. LONG	SIZE D	CAGE CODE 00779
	APPD - W. LONG	DRAWING NO C=350523	
	PRODUCT SPEC -	SCALE 4:1	SHEET 1 OF 1
	APPLICATION SPEC -	CUSTOMER DRAWING	
	WEIGHT -		

Mouser Electronics

Authorized Distributor

Click to View Pricing, Inventory, Delivery & Lifecycle Information:

[TE Connectivity:](#)

[350523-1](#)