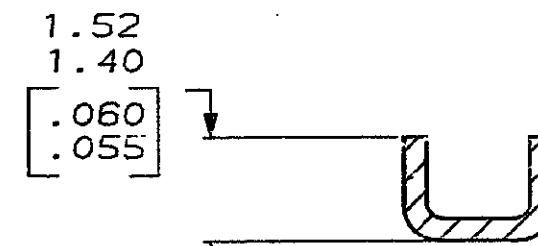
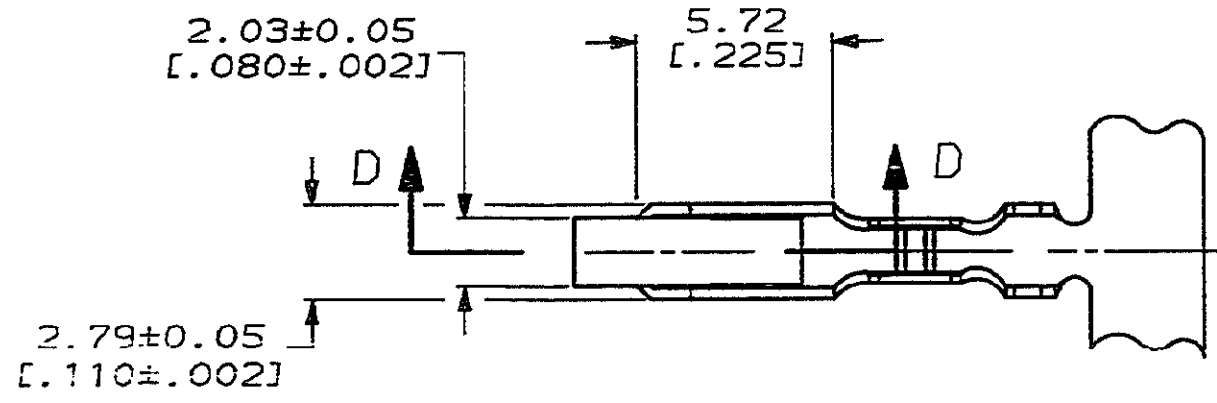
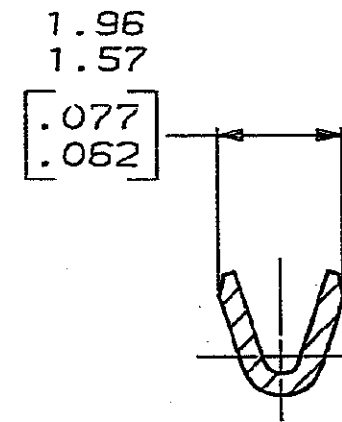
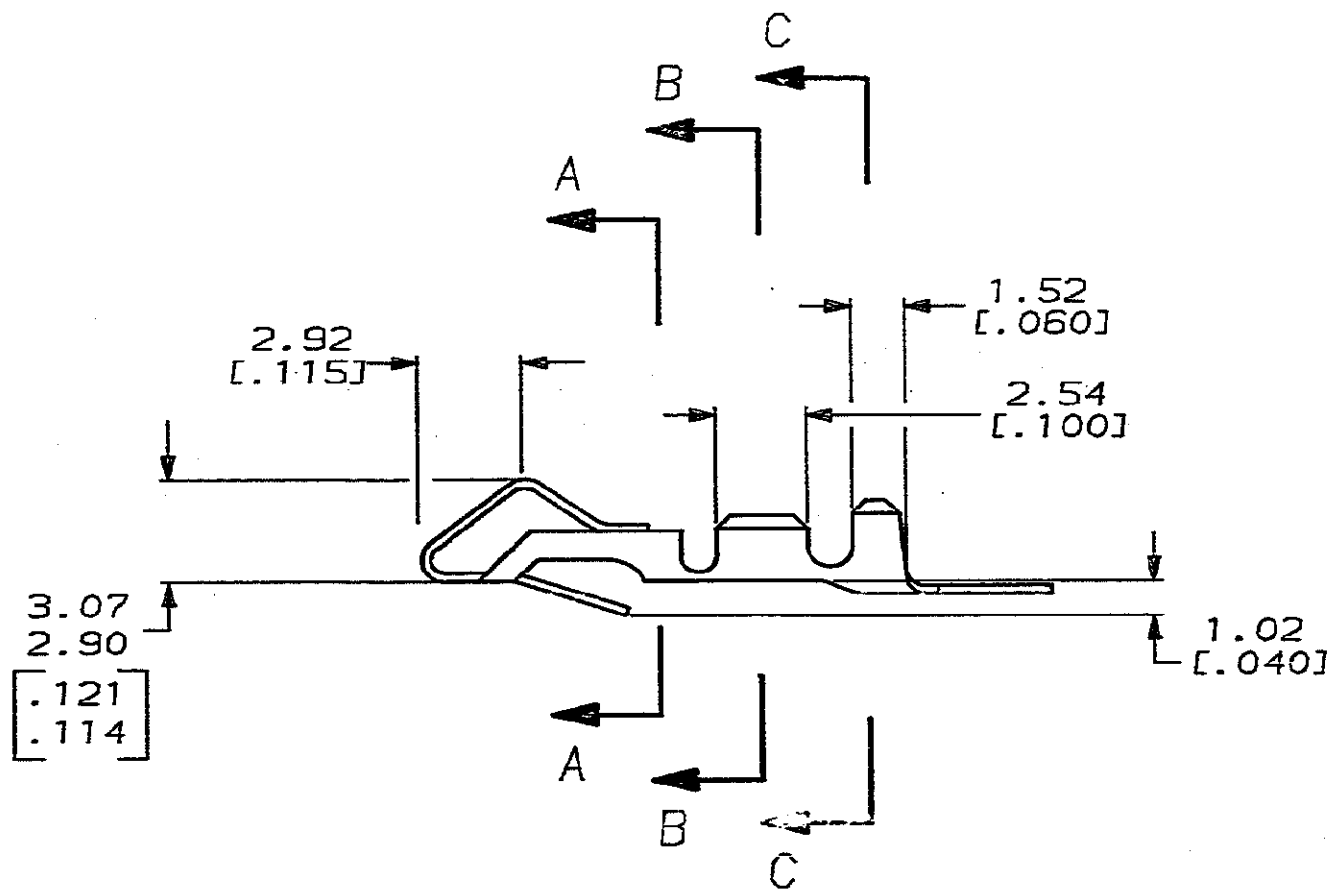


LOC	DIST	ZONE	LTR	REVISIONS	DATE	APPD
CM	54			REV & REDRAWN PER ECN CM-11	11-5-92	KS

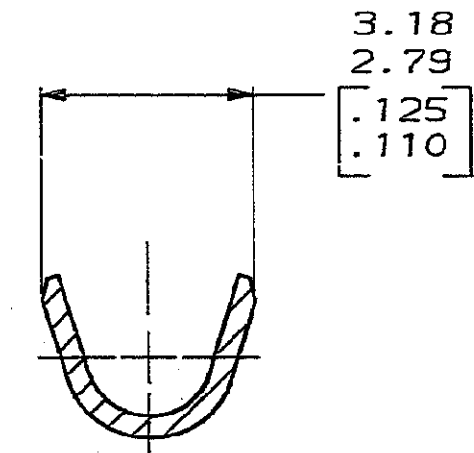
- 1. Δ 0.00330 [.000130] MAX PRE-TIN.
- 2. WIRE RANGE: 0.05-0.2mm² (30-24 AWG).
INSULATION RANGE: 1.02-1.45 [.040-.057] DIA.
- 3. DIMENSIONS IN BRACKETS ARE IN INCHES.



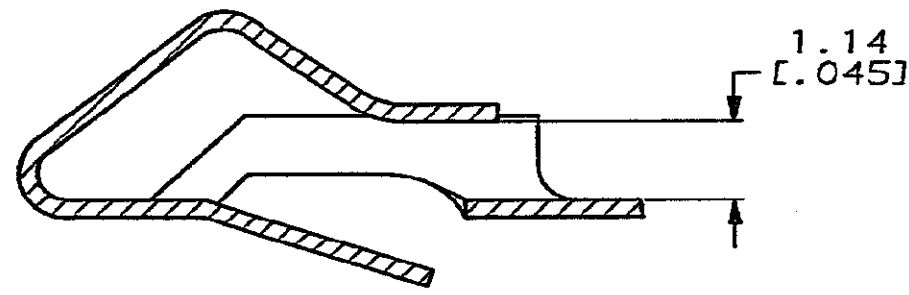
SECTION A-A
SCALE 10:1



SECTION B-B
SCALE 10:1



SECTION C-C
SCALE 10:1



SECTION D-D
SCALE 10:1

METRIC

THIS DRAWING IS A CONTROLLED DOCUMENT FOR AMP INCORPORATED. IT IS SUBJECT TO CHANGE AND THE CONTROLLING ENGINEERING ORGANIZATION SHOULD BE CONTACTED FOR THE LATEST REVISION.

DO NOT SCALE PRINT. UNLESS SPECIFIED DIMENSIONS IN mm [INCHES] TOLERANCES ON: 2 PLC DEC ± 0.13 [.005] 3 PLC DEC ± - ANGLES ± -		DR 11-2-92 K. SALMON		AMP Incorporated Harrisburg, PA 17105-3608	
MATERIAL 0.33 [.013] BRASS		CHK 11-2-92 R. SWING		NAME RECEPTACLE, SL-156	
FINISH SEE TABLE		APPD 11-20-92 E. BEILES		DRAWING NO C-641550	
		APPD -		SIZE C	
		PRODUCT SPEC -		CAGE CODE 00779	
		APPLICATION SPEC -		DRAWING NO C-641550	
		WEIGHT -		SCALE 5:1	
				SHEET 1 OF 1	

CUSTOMER DRAWING

Mouser Electronics

Authorized Distributor

Click to View Pricing, Inventory, Delivery & Lifecycle Information:

[TE Connectivity:](#)

[641550-1](#)