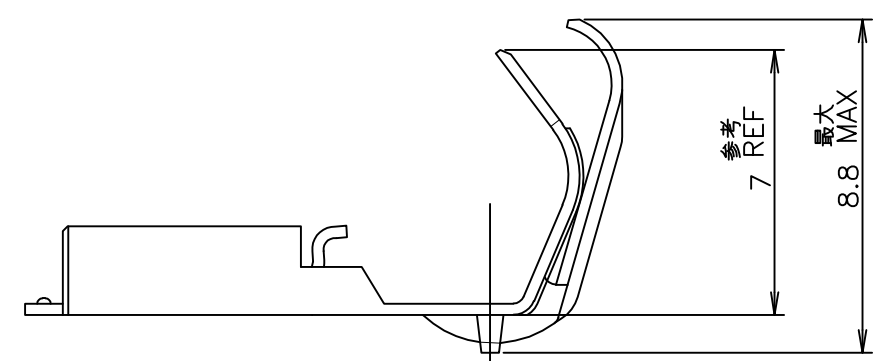
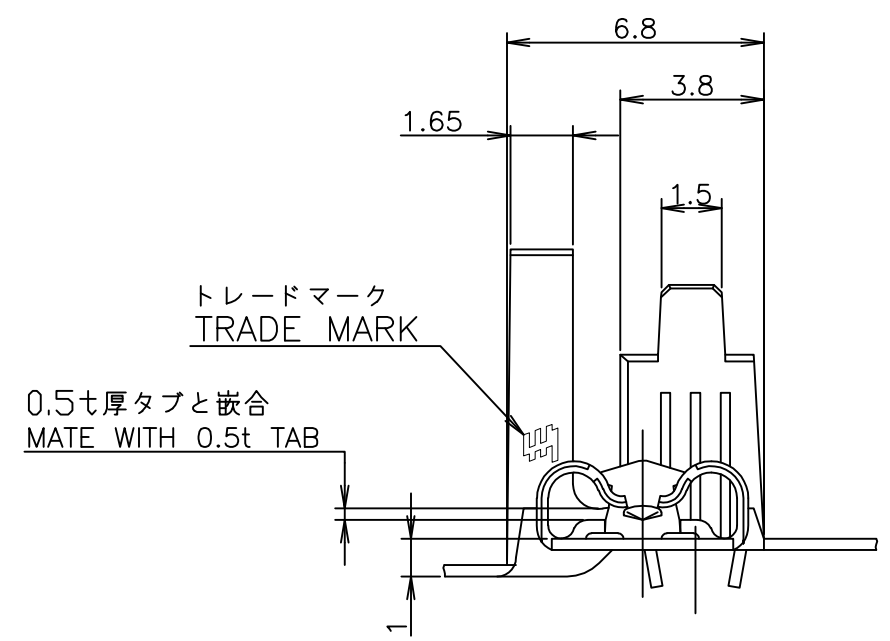
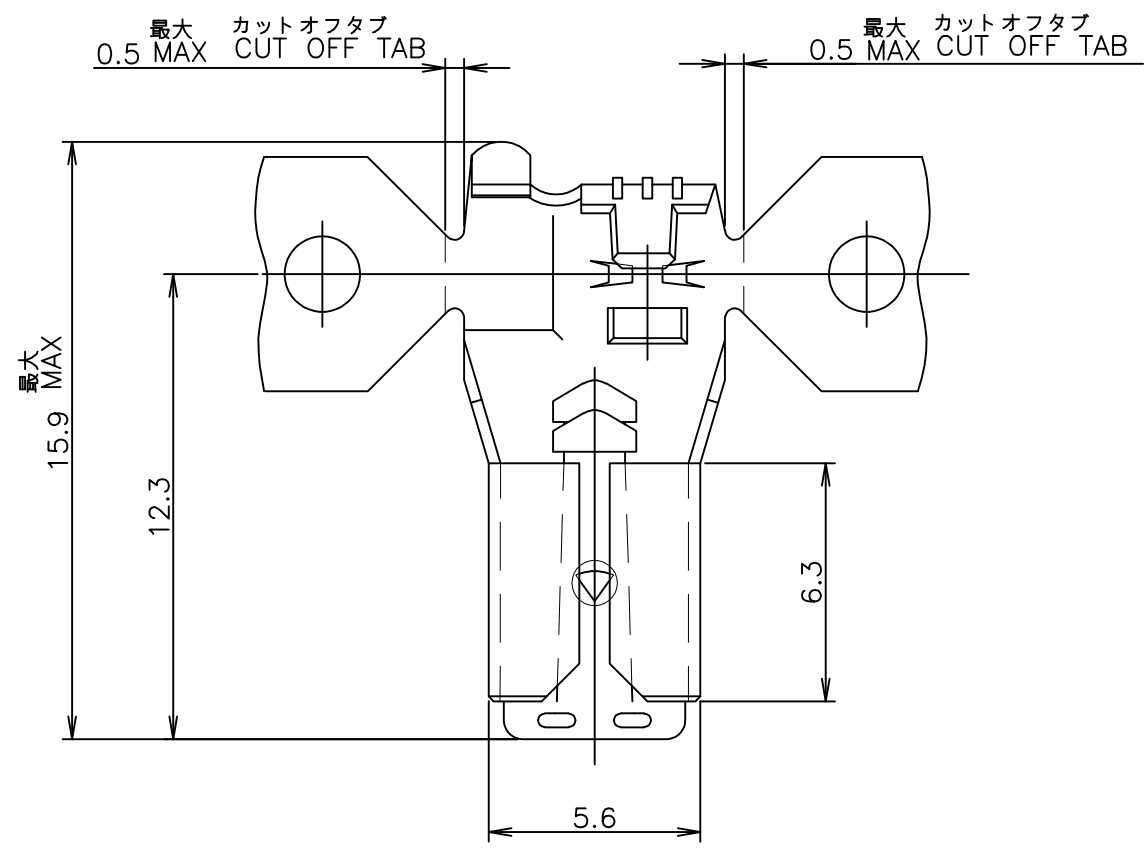


THIS DRAWING IS UNPUBLISHED. RELEASED FOR PUBLICATION JUL, 1999.
 © COPYRIGHT 1999 By - ALL RIGHTS RESERVED.

REVISIONS 変更				
P	LTR	DESCRIPTION	DATE	APVD
	F2	REVISED PER ECR-15-018717	29JUN17	LP TD

-1; AS SHOWN



OBSOLETE

1 APPLICABLE SLEEVE P/N: 1717269, 178708

1 適用スリーブ型番: 1717269, 178708

PRE TIN HIGH HEAT RESISTANCE COPPER ALLOY 0.3t	175019-6
錫めっき済み高耐熱銅合金 0.3t	
PRE TINNED PHOSPHOR BRONZE 0.3t	175019-5
錫めっき済み燐青銅 0.3t	
PRE TINNED BRASS 0.3t	175019-1
錫めっき済み黄銅 0.3t	
MATERIAL 材質	P/N 型番
WIRE RANGE 抱合電線断面積	AWG #22-#16 0.3~1.42 mm ²
INSULATION DIA 被覆外径	1.5~4.32 mm ϕ

THIS DRAWING IS A CONTROLLED DOCUMENT.

DIMENSIONS: 単位: 耗 mm	TOLERANCES UNLESS OTHERWISE SPECIFIED: 一般公差
	0 PLC ±
	1 PLC ±
	2 PLC ±
	3 PLC ±
	4 PLC ±
ANGLES ±	

GENERAL TOLERANCE 一般公差
10 \geq : ± 0.2
30 \geq > 10: ± 0.25
100 \geq > 30: ± 0.3
ANGLES: $\pm 3'$

MATERIAL 材料	表参照 SEE TABLE
FINISH 仕上	

DWN	M.SUZUKI	07JUL1999
CHK	M.SHINDO	07JUL1999
APVD	M.SHINDO	07JUL1999
PRODUCT SPEC	製品規格	108-5250
APPLICATION SPEC	取付適用規格	114-5118
WEIGHT	0.000000	

		TE Connectivity	
		NAME 名称 187 SERIES FLAG POSITIVE LOCK-EX REC. 187 シリーズ・旗型・ポジティブロック EX リセブタクル	
SIZE	CAGE CODE	DRAWING NO 番号	RESTRICTED TO
A3	00779	C-175019	-
CUSTOMER DRAWING		SCALE 尺度	SHEET 1 OF 1
		5:1	REV F2

Mouser Electronics

Authorized Distributor

Click to View Pricing, Inventory, Delivery & Lifecycle Information:

[TE Connectivity:](#)

[175019-1](#)