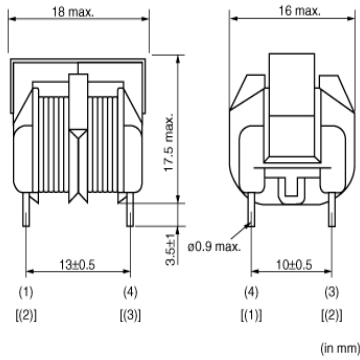


# PLY10AS8720R7R2B



## Appearance & Shape



## Packaging Information

Packaging	Specifications	Minimum Order Quantity
-	Box	1200

### Attention

- 1.This datasheet is downloaded from the website of Murata Manufacturing Co., Ltd. Therefore, it's specifications are subject to change or our products in it may be discontinued without advance notice. Please check with our sales representatives or product engineers before ordering.
- 2.This datasheet has only typical specifications because there is no space for detailed specifications. Therefore, please review our product specifications or consult the approval sheet for product specifications before ordering.

# PLY10AS8720R7R2B



## Specifications

Common Mode Inductance (min.)	8.7mH
Nomal Mode Inductance (min.)	530 $\mu$ H
DC Resistance(max.)	1.2 $\Omega$
Rated Current	0.7A
Length	18mm max.
Width	16mm max.
Thickness	17.5mm max.
Operating Temperature Range	-25°C to 60°C
Winding Temperature Rise (at Rated Current)(max.)	60°C
Rated Voltage	300Vac
Insulation Resistance(min.)	10M $\Omega$
Withstanding Voltage	1600V(AC)(1minute) or 2000V(AC)(2second)
Mass(typ.)	9.9g
Winding Mode	Standard Winding

### Attention

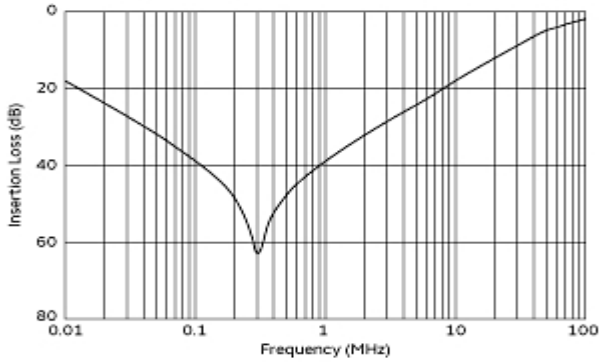
1.This datasheet is downloaded from the website of Murata Manufacturing Co., Ltd. Therefore, it's specifications are subject to change or our products in it may be discontinued without advance notice. Please check with our sales representatives or product engineers before ordering.

2.This datasheet has only typical specifications because there is no space for detailed specifications.

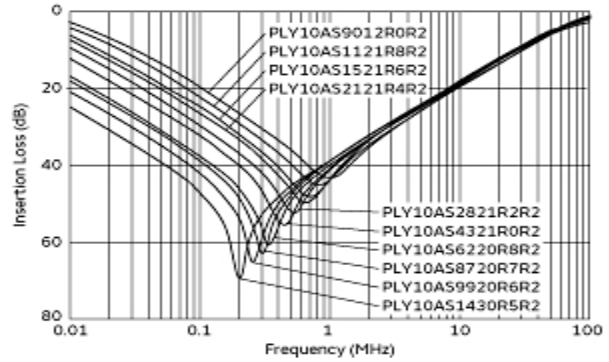
Therefore, please review our product specifications or consult the approval sheet for product specifications before ordering.

# PLY10AS8720R7R2B

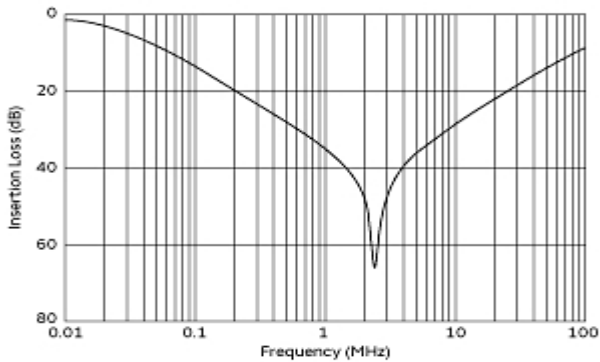
## Product Data



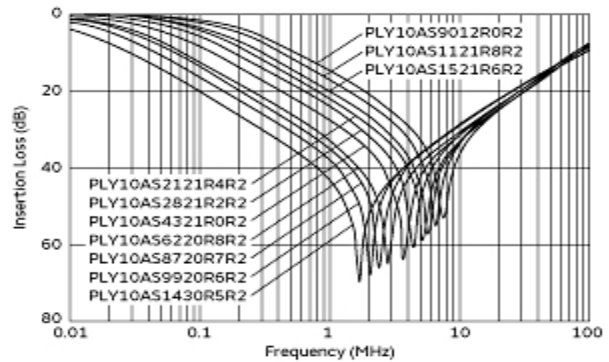
Common Mode Insertion Loss (Typ.)



Common Mode Insertion Loss-Frequency Characteristics



Differential Mode Insertion Loss (Typ.)



Differential Mode Insertion Loss-Frequency Characteristics

**Attention**

1.This datasheet is downloaded from the website of Murata Manufacturing Co., Ltd. Therefore, it's specifications are subject to change or our products in it may be discontinued without advance notice. Please check with our sales representatives or product engineers before ordering.

2.This datasheet has only typical specifications because there is no space for detailed specifications.

Therefore, please review our product specifications or consult the approval sheet for product specifications before ordering.