



OD3510 Series

DC Fan - 5V, 12V
35 x 10mm (1.38 x .39in)



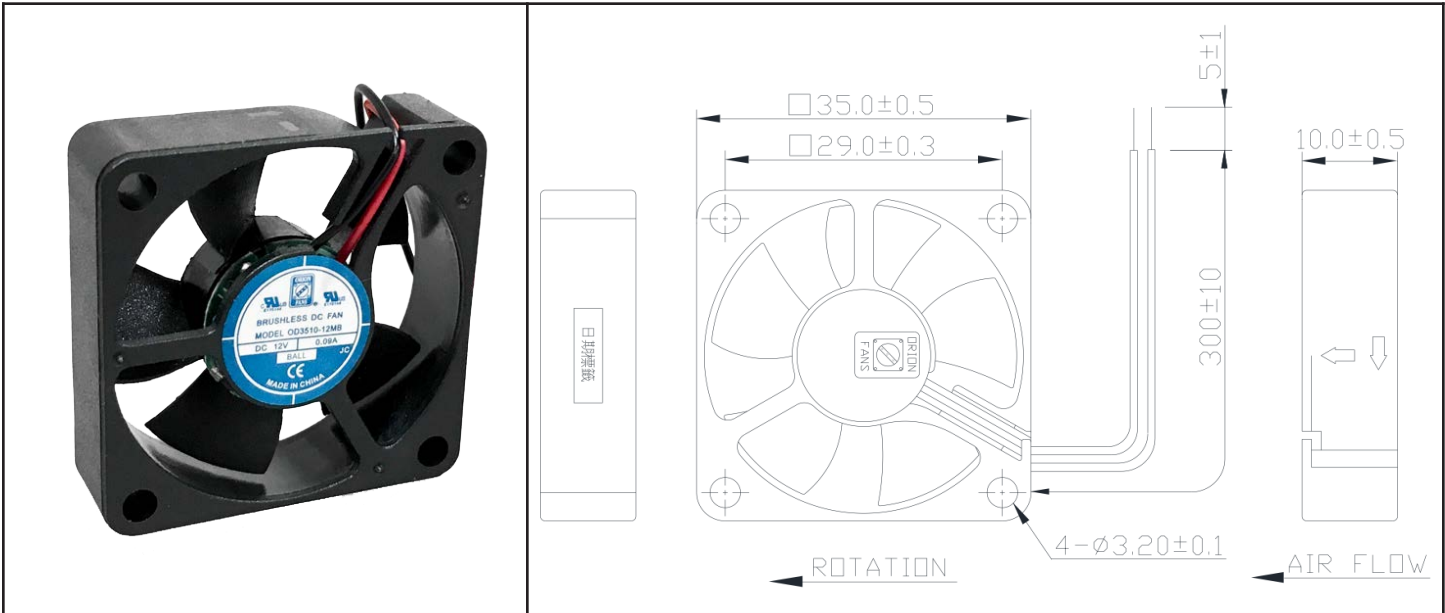
| Model # | Pg # | Voltage | RPM | CFM | Noise Level | Max Static Pressure |
|----------------|------|---------|------|-----|-------------|----------------------|
| OD3510-05LLB | 2 | 5 VDC | 4500 | 3.0 | 17 dB | .05 H ₂ O |
| OD3510-05MB | 3 | 5 VDC | 8000 | 6.0 | 32 dB | .17 H ₂ O |
| OD3510-05MB01A | 4 | 5 VDC | 8000 | 6.0 | 32 dB | .17 H ₂ O |
| OD3510-12LLB | 5 | 12 VDC | 4500 | 3.0 | 17 dB | .05 H ₂ O |
| OD3510-12MB | 6 | 12 VDC | 8000 | 6.0 | 32 dB | .17 H ₂ O |
| OD3510-12MB02A | 7 | 12 VDC | 8000 | 6.0 | 32 dB | .17 H ₂ O |

** For some models and part numbers, minimum order quantities may apply.

OD3510-05LLB



DC Fan, 5 VDC
35x10mm (1.38x.39in)



| | | | |
|-----------------------|---|---|--|
| Frame & Impeller | PBT, UL94V-0 plastic | Available Options IP55 Other speeds and voltages Tachometer Alarm *Connection: Wire Leads - UL1571 28AWG Red(+), Black (-), Weight: 9 g | |
| Connection | 2x Lead wires * | | |
| Motor | Brushless DC, auto restart, polarity protected. | | |
| Bearing System | Dual ball bearing | | |
| Insulation Resistance | Min. 10M at 500VDC | | |
| Dielectric Strength | 1 second at 500VAC max leakage 500 microamp | | |
| Temperature Range | -10C ~ +70C | | |
| Storage Temperature | -40C ~ +80C | | |
| Life (L10) | 70,000 hours (40C) | | |

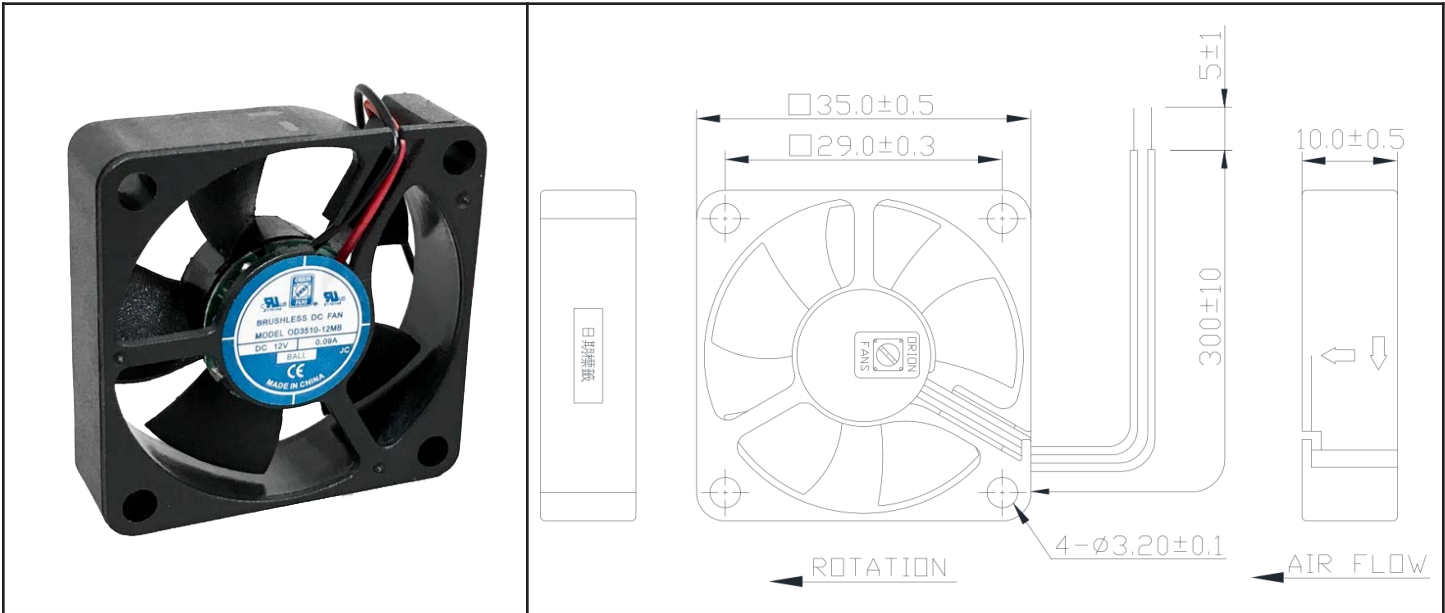
| | |
|----------------------|-----------------------|
| Model Number | OD3510-05LLB |
| Part Number | 135511001 |
| Nominal Voltage | 5 VDC |
| Voltage Range | 4 ~ 5.5 VDC |
| Nominal Current | .06 A |
| Rated Power | .3 Watts |
| Rated Speed (RPM) | 4500 |
| Airflow (CFM) | 3 |
| Noise Level (dB) | 17 |
| Max. Static Pressure | .05 "H ₂ O |



OD3510-05MB



DC Fan, 5VDC
35x10mm (1.38x.39in)

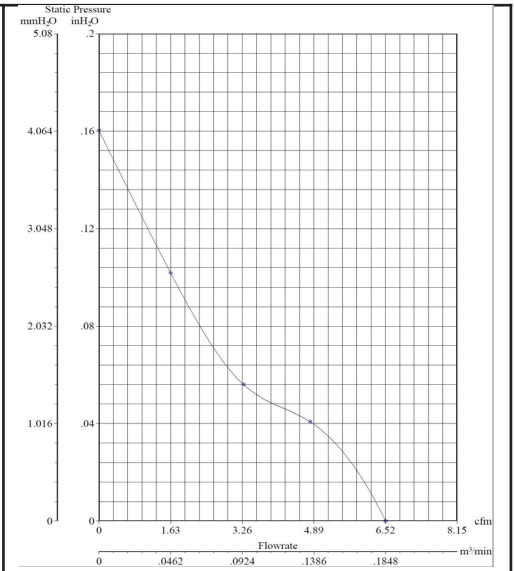


| | |
|-----------------------|---|
| Frame & Impeller | PBT, UL94V-0 plastic |
| Connection | 2x Lead wires * |
| Motor | Brushless DC, auto restart, polarity protected. |
| Bearing System | Dual ball bearing |
| Insulation Resistance | Min. 10M at 500VDC |
| Dielectric Strength | 1 second at 500VAC max leakage 500 microamp |
| Temperature Range | -10C ~ +70C |
| Storage Temperature | -40C ~ +80C |
| Life (L10) | 70,000 hours (40C) |

Available Options
 IP55
 Other speeds and voltages
 Tachometer Alarm

*Connection:
 Wire Leads - UL1571
 28AWG Red(+), Black (-)

Weight: 9 g

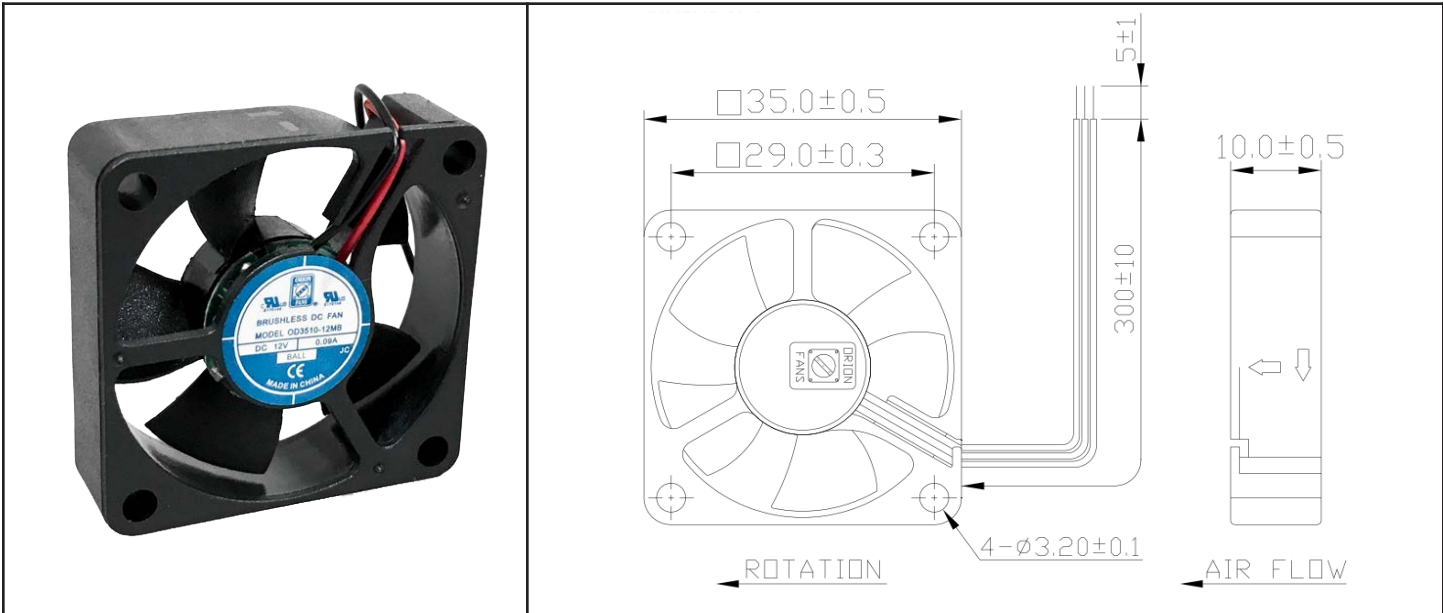


| | |
|----------------------|-----------------------|
| Model Number | OD3510-05MB |
| Part Number | 135531001 |
| Nominal Voltage | 5 VDC |
| Voltage Range | 4~5.5 VDC |
| Nominal Current | .075 A |
| Rated Power | .65 Watts |
| Rated Speed (RPM) | 8000 |
| Airflow (CFM) | 6 |
| Noise Level (dB) | 32 |
| Max. Static Pressure | .17 "H ₂ O |

OD3510-05MB01A



DC Fan, 5VDC
35x10mm (1.38x.39in)



| | | | |
|-----------------------|---|--|--|
| Frame & Impeller | PBT, UL94V-0 plastic | <u>Available Options</u> IP55 Other speeds and voltages Alarm *Connection: Wire Leads - UL1571 28AWG Red(+), Black (-), White Tachometer Weight: 9 g | |
| Connection | 3x Lead wires * | | |
| Motor | Brushless DC, auto restart, polarity protected. | | |
| Bearing System | Dual ball bearing | | |
| Insulation Resistance | Min. 10M at 500VDC | | |
| Dielectric Strength | 1 second at 500VAC max leakage 500 microamp | | |
| Temperature Range | -10C ~ +70C | | |
| Storage Temperature | -40C ~ +80C | | |
| Life (L10) | 70,000 hours (40C) | | |

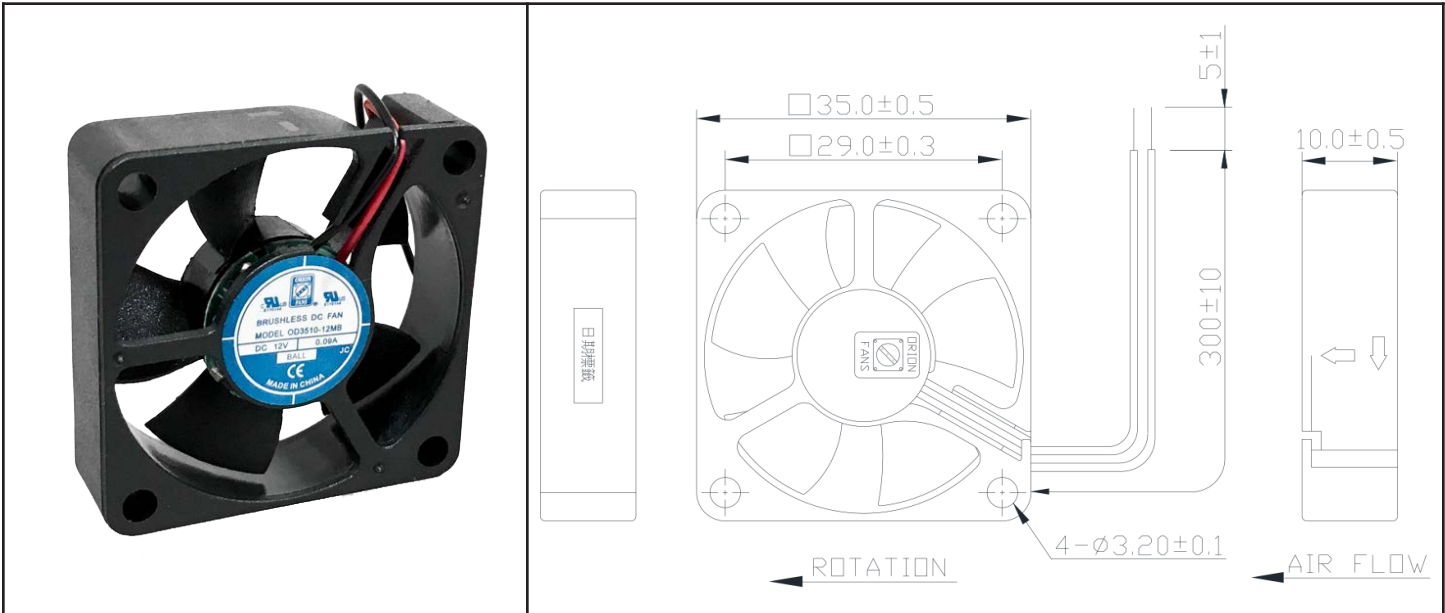
| | |
|----------------------|-----------------------|
| Model Number | OD3510-05MB01A |
| Part Number | 135531221 |
| Nominal Voltage | 5 VDC |
| Voltage Range | 4~5.5 VDC |
| Nominal Current | .075 A |
| Rated Power | .65 Watts |
| Rated Speed (RPM) | 8000 |
| Airflow (CFM) | 6 |
| Noise Level (dB) | 32 |
| Max. Static Pressure | .17 "H ₂ O |



OD3510-12LLB



DC Fan, 12VDC
35x10mm (1.38x.39in)



| | | | |
|-----------------------|---|---|--|
| Frame & Impeller | PBT, UL94V-0 plastic | Available Options IP55 Other speeds and voltages Tachometer Alarm *Connection: Wire Leads - UL1571 28AWG Red(+), Black (-), Weight: 9 g | |
| Connection | 2x Lead wires * | | |
| Motor | Brushless DC, auto restart, polarity protected. | | |
| Bearing System | Dual ball bearing | | |
| Insulation Resistance | Min. 10M at 500VDC | | |
| Dielectric Strength | 1 second at 500VAC max leakage 500 microamp | | |
| Temperature Range | -10C ~ +70C | | |
| Storage Temperature | -40C ~ +80C | | |
| Life (L10) | 70,000 hours (40C) | | |

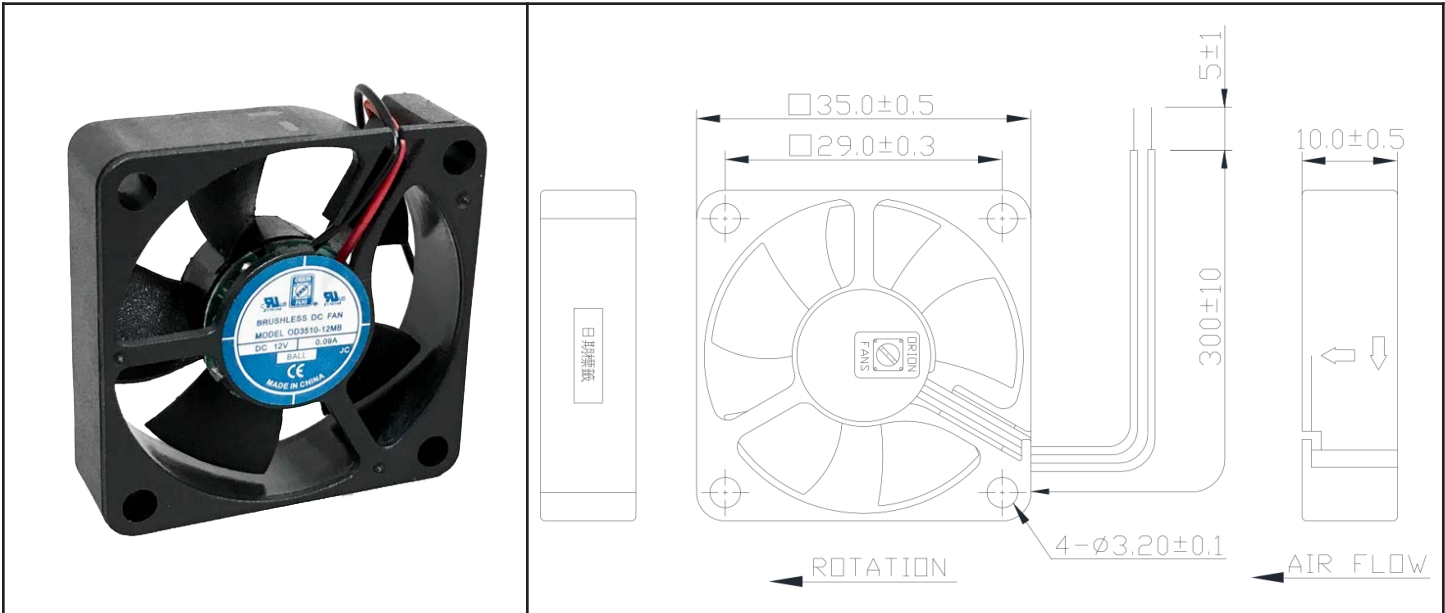
| | |
|----------------------|-----------------------|
| Model Number | OD3510-12LLB |
| Part Number | 135111001 |
| Nominal Voltage | 12 VDC |
| Voltage Range | 9~13.2 VDC |
| Nominal Current | .04 A |
| Rated Power | .60 Watts |
| Rated Speed (RPM) | 4500 |
| Airflow (CFM) | 3 |
| Noise Level (dB) | 17 |
| Max. Static Pressure | .05 "H ₂ O |



OD3510-12MB



DC Fan, 12VDC
35x10mm (1.38x.39in)



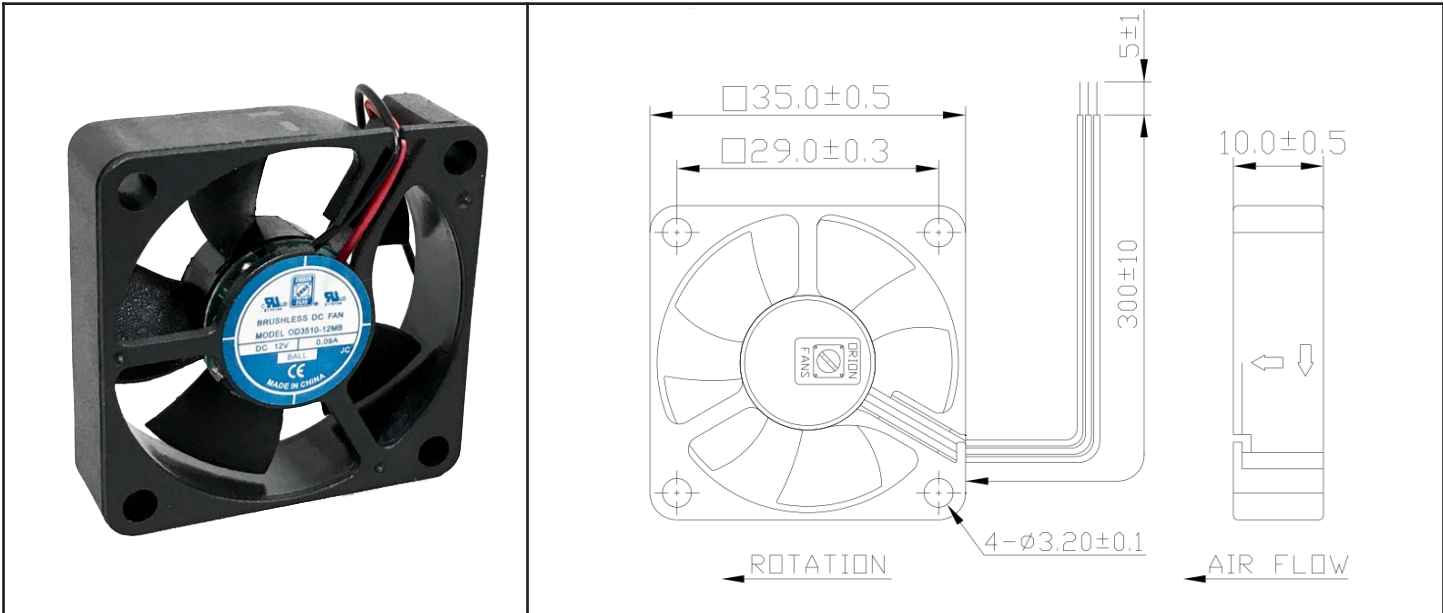
| | | | |
|-----------------------|---|--|--|
| Frame & Impeller | PBT, UL94V-0 plastic | Available Options IP55 Other speeds and voltages Tachometer Alarm *Connection: Wire Leads - UL1571 28AWG Red(+), Black (-) Weight: 9 g | |
| Connection | 2x Lead wires * | | |
| Motor | Brushless DC, auto restart, polarity protected. | | |
| Bearing System | Dual ball bearing | | |
| Insulation Resistance | Min. 10M at 500VDC | | |
| Dielectric Strength | 1 second at 500VAC max leakage 500 microamp | | |
| Temperature Range | -10C ~ +70C | | |
| Storage Temperature | -40C ~ +80C | | |
| Life (L10) | 70,000 hours (40C) | | |

| | |
|----------------------|-----------------------|
| Model Number | OD3510-12MB |
| Part Number | 135131001 |
| Nominal Voltage | 12 VDC |
| Voltage Range | 9~13.2 VDC |
| Nominal Current | .06 A |
| Rated Power | 1.08 Watts |
| Rated Speed (RPM) | 8000 |
| Airflow (CFM) | 6 |
| Noise Level (dB) | 32 |
| Max. Static Pressure | .17 "H ₂ O |

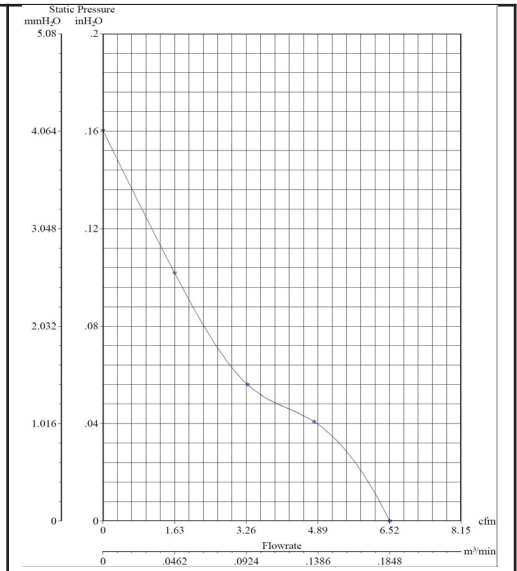
OD3510-12MB02A



DC Fan, 12VDC
35x10mm (1.38x.39in)



| | | |
|-----------------------|---|---|
| Frame & Impeller | PBT, UL94V-0 plastic | Available Options IP55 Other speeds and voltages Tachometer *Connection: Wire Leads - UL1571 28AWG Red(+), Black (-), Yellow Alarm Weight: 9 g |
| Connection | 3x Lead wires * | |
| Motor | Brushless DC, auto restart, polarity protected. | |
| Bearing System | Dual ball bearing | |
| Insulation Resistance | Min. 10M at 500VDC | |
| Dielectric Strength | 1 second at 500VAC max leakage 500 microamp | |
| Temperature Range | -10C ~ +70C | |
| Storage Temperature | -40C ~ +80C | |
| Life (L10) | 70,000 hours (40C) | |



| | |
|----------------------|-----------------------|
| Model Number | OD3510-12MB02A |
| Part Number | 135131231 |
| Nominal Voltage | 12 VDC |
| Voltage Range | 9~13.2 VDC |
| Nominal Current | .065 A |
| Rated Power | 1.56 Watts |
| Rated Speed (RPM) | 8000 |
| Airflow (CFM) | 6 |
| Noise Level (dB) | 32 |
| Max. Static Pressure | .17 "H ₂ O |

