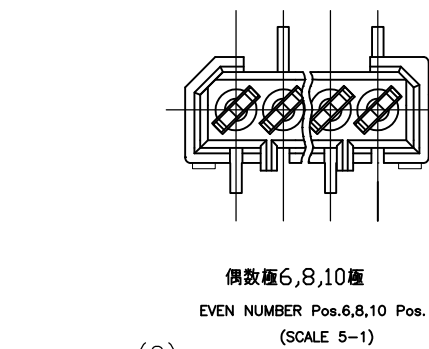
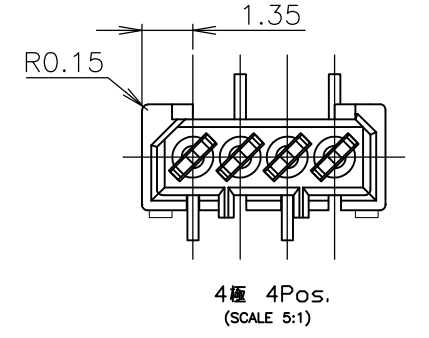
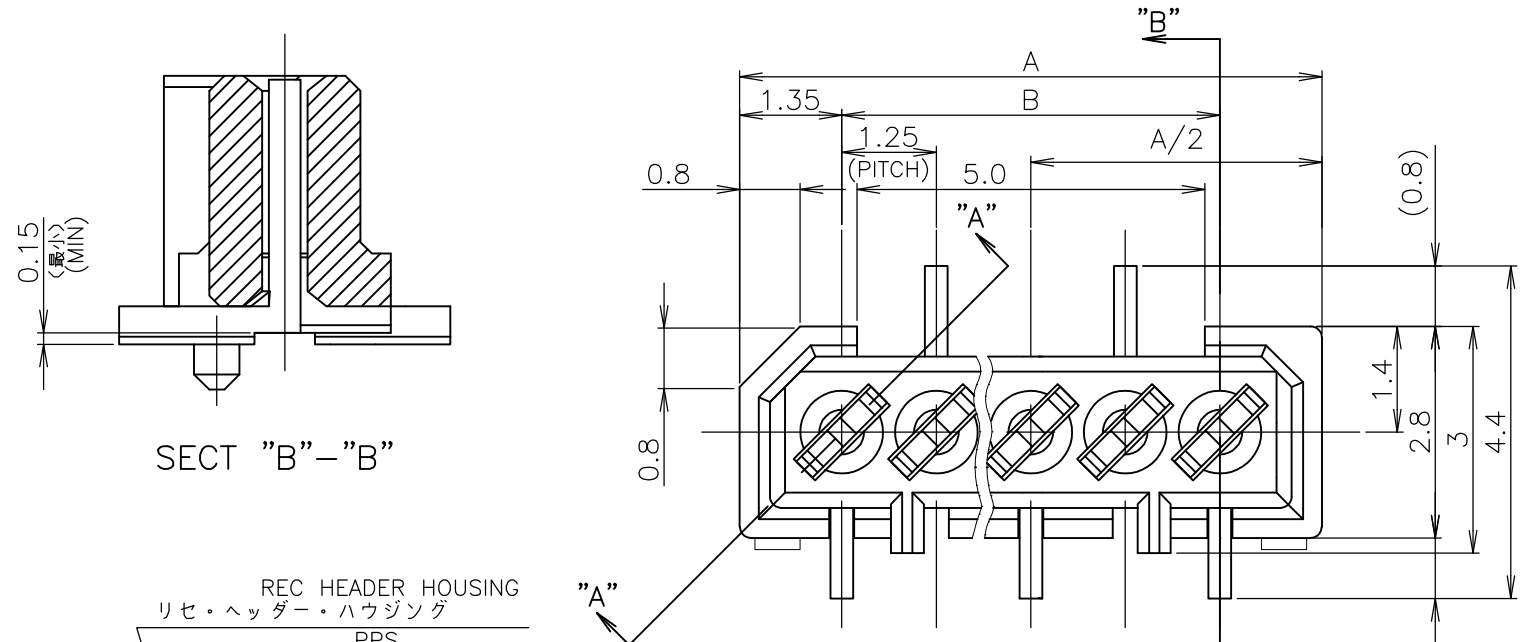


THIS DRAWING IS UNPUBLISHED. RELEASED FOR PUBLICATION
 © COPYRIGHT By - ALL RIGHTS RESERVED.

LOC	DIST	REVISIONS					
		P	LTR	DESCRIPTION	DATE	DWN	APVD
J		M	REVISED	ECR-14-010014	15NOV2014	I.T	W.H

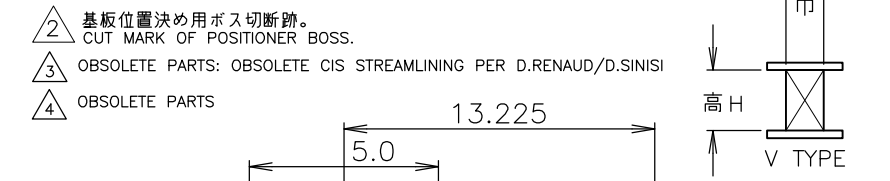


注記 NOTES
 1 嵌合相手製品型番及び、嵌合寸法は MATING COUNTER PART NUMBER AND DIMENSIONS 表-1 参照のこと。 AFTER MATING: SEE TABLE 1.

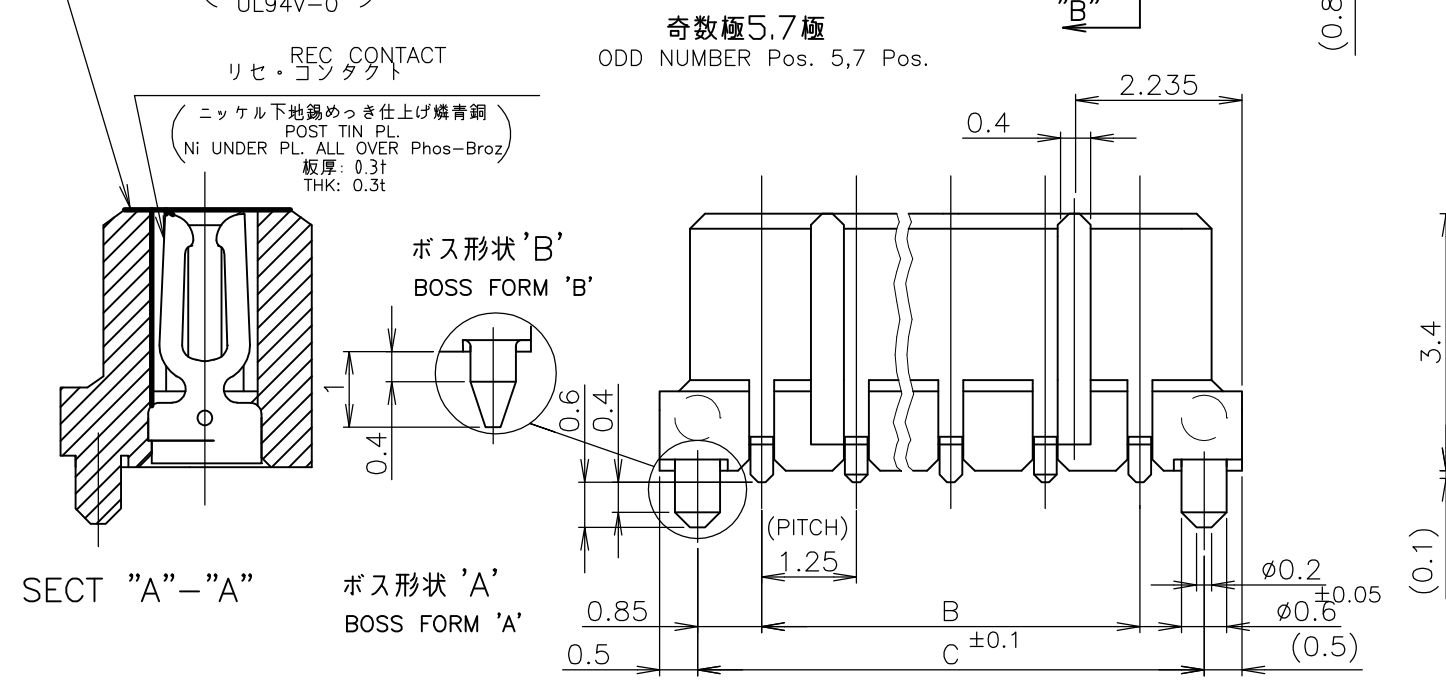
嵌合時寸法: 巾(W) × 高さ(H) DIMENSIONS AFTER MATING: WIDE(mm) × HEIGHT(mm)

SMT TYPE	MATING COUNTER CONN 嵌合相手側コネクタ POST HDR ASSY		WITH BOSS X-174637-X	
	製品型番	P/N	高さ H	巾 W
DIP TYPE	X-174642-X		3.95	5.1 (高さH) 4.4 (巾W) x
			5.95	7.0 (高さH) 4.4 (巾W) x
SMT TYPE	ボス無 WITHOUT BOSS X-174644-X		3.95	5.1 (高さH) 4.4 (巾W) x
	ボス付 WITH BOSS X-174820-X		5.95	7.1 (高さH) 4.4 (巾W) x

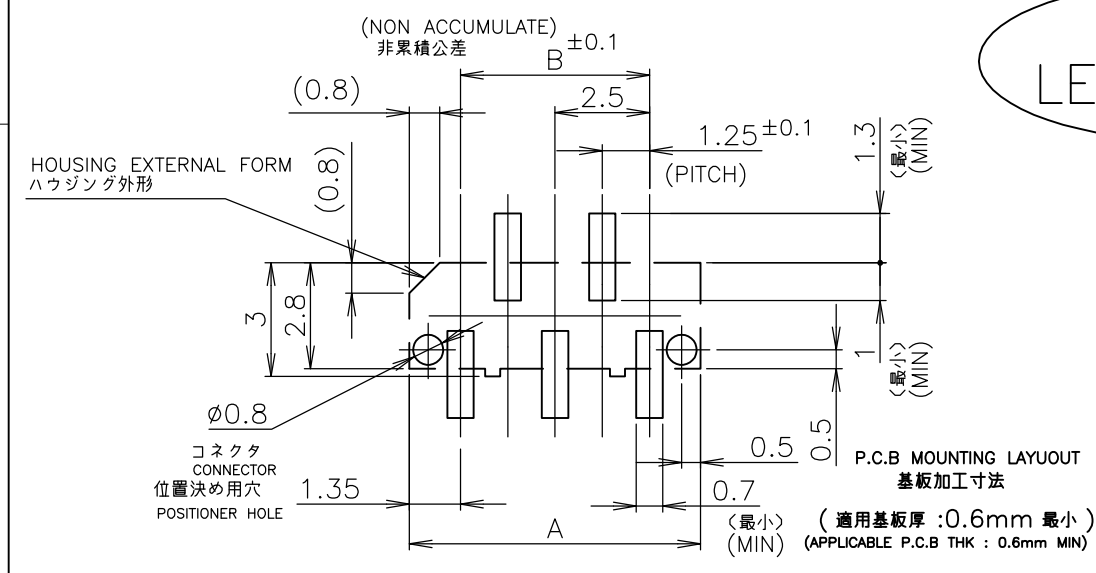
TABLE 1 SMT TYPEは、巾及び高さ寸法に SMT TYPE INCLUDE DIMENSIONS OF SOLDER DIP TINE.



	25.45	23.75	26.45	20	△3	5	0
'A'	21.70	20.00	22.70	17	△3	4	7
'B'	12.95	11.25	13.95	10	4	-	0
	10.45	8.75	11.45	8	3	-	8
'A'	9.20	7.50	10.20	7	△3	3	7
	7.95	6.25	8.95	6	△3	3	6
	6.70	5.00	7.70	5	△3	3	5
'B'	5.45	3.75	6.45	4	3	-	4
ボス形状 BOSS FORM	C	B	A	極数 Pos.			型番 P/N
							3-174637-4



鉛フリー LEAD FREE



THIS DRAWING IS A CONTROLLED DOCUMENT.

DIMENSIONS: mm	TOLERANCES UNLESS OTHERWISE SPECIFIED:	DWN S.KANEKI 13MAY91
	0-PLC ±	CHK J.TANIGAWA 13MAY91
	1-PLC ±	APVD S.KUBOUCHI 24DEC98
	2-PLC ±	NAME
	3-PLC ±	1.25 F-P CONNECTOR (B-TO-B)
	4-PLC ±	SINGLE ROW REC HDR ASS'Y (V) SMT TYPE
	ANGLES ±3'	WITH BOSS
MATERIAL AS SHOWN 図中参照	FINISH AS SHOWN 図中参照	SIZE A3
		CAGE CODE 00779
		DRAWING NO C-174637
		RESTRICTED TO
		SCALE 10:1
		SHEET 1 OF 1
		REV M

STE TE Connectivity

1.25 F-P CONNECTOR (B-TO-B)
 SINGLE ROW REC HDR ASS'Y (V) SMT TYPE
 WITH BOSS

SIZE A3 CAGE CODE 00779 DRAWING NO C-174637 RESTRICTED TO

SCALE 10:1 SHEET 1 OF 1 REV M

Mouser Electronics

Authorized Distributor

Click to View Pricing, Inventory, Delivery & Lifecycle Information:

[TE Connectivity:](#)

[4-174637-0](#)