

# 16mm Rotary Encoder

## Type DP16 Series

### Type DP16 Series



16mm Rotary incremental encoder for use in electronic equipment.

Can be supplied with customisation to standard options

#### Key Features

- 16mm Rotary Encoder
- Incremental Type
- Various Shaft Lengths
- Pulse Options
- Detent Options

### Characteristics - Electrical

<b>Pulses:</b>	12 & 24
<b>Contact Rating:</b>	5VDC @ 5mA
<b>Dielectric Strength:</b>	50VAC / 1mA, 1 minute
<b>Insulation Resistance (min):</b>	10M ohms at 50VDC
<b>Operating Speed (RPM):</b>	60 RPM
<b>Electrical Travel:</b>	Continuous
<b>Rotational Noise:</b>	t <sub>2</sub> = 2.0 ms max (see below)
<b>Chattering:</b>	t <sub>1</sub> & t <sub>3</sub> = 3.0 ms max (see below)



Code Off area V = 3.5V or more. Code on area V=1.5V or less

### Characteristics - Mechanical

<b>Total Mechanical Travel:</b>	Continuous
<b>Detents:</b>	0, 12, 24
<b>Shaft Type:</b>	F – Flatted
<b>Shaft Length (from Mounting Surface):</b>	15, 20, 25

### Characteristics - Environmental

<b>Operating Temperature</b>	-10 ~ +70 degrees C
<b>Rotational Life</b>	15,000 Cycles

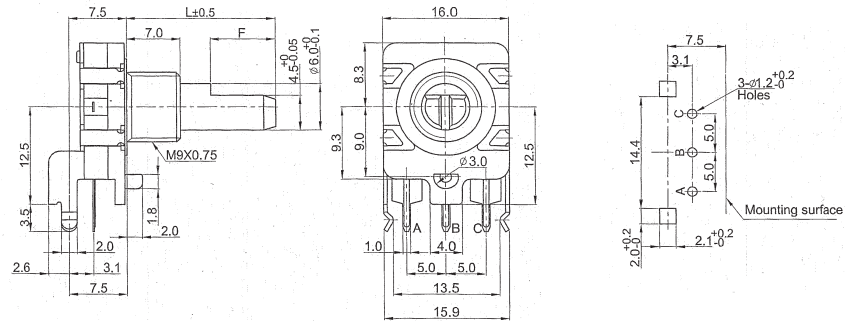
### Output Signal Format

Shaft Rotational Direction	Signal	Format
Clockwise	A (Terminal A-C)	OFF ON
	B (Terminal B-C)	OFF ON
Anticlockwise	A (Terminal A-C)	OFF ON
	B (Terminal B-C)	OFF ON

# 16mm Rotary Encoder

## Type DP16 Series

### Dimensions DP16H



### DP16V



### Shaft Length

L	15	20	25
F	7	12	12

### How to Order

DP16	H	N	12	A	15	F
Common Part	Orientation	Detent	Pulses	Bush Details	Shaft Length	Shaft Style
DP16 – No Switch	H - Horizontal V - Vertical	N - None 12 – 12 Clicks 24 – 24 Clicks	12 – 12 Pulses 24 – 24 Pulses	A – 5mm B – 7mm	15 – 15mm 20 – 20mm 25 – 25mm	F - Flatted

# Mouser Electronics

Authorized Distributor

Click to View Pricing, Inventory, Delivery & Lifecycle Information:

[TE Connectivity:](#)

[DP16VN12B15F](#)