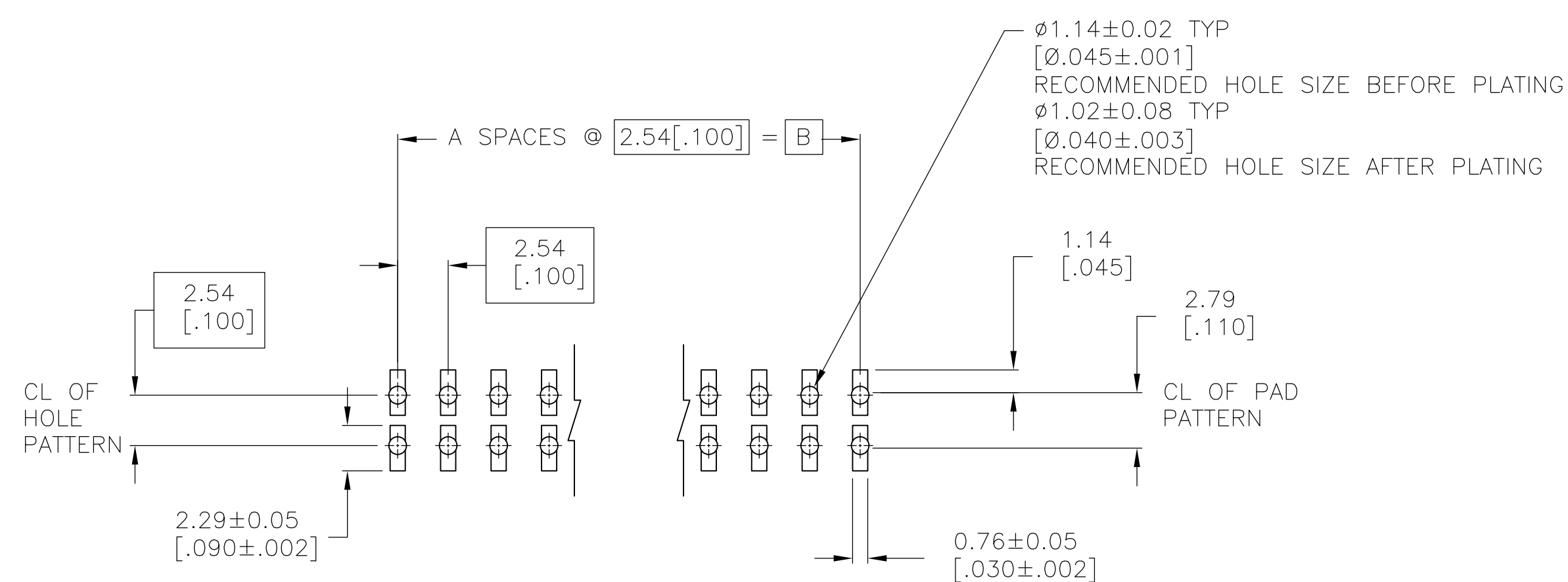
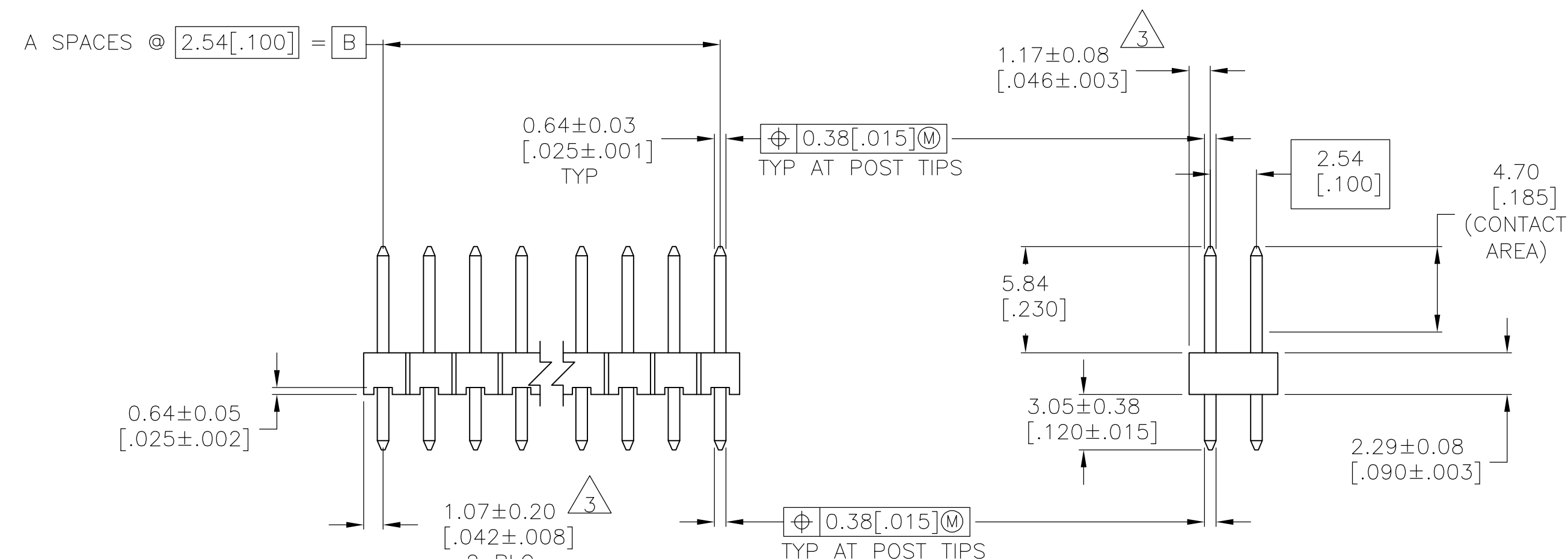
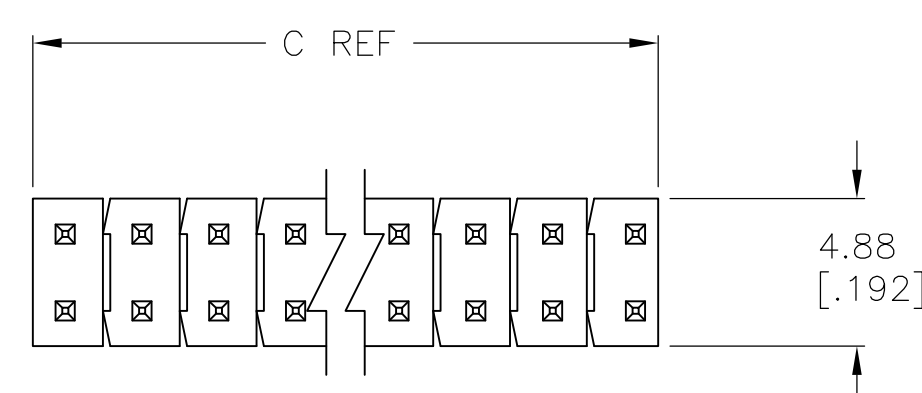


- 1 ASSEMBLY MAY BE BROKEN TO THE DESIRED NUMBER OF POSITIONS.
- 2 TRUE POSITION TOLERANCE OF THE POST TIPS APPLIES WHEN THE HEADER IS HELD FLAT AGAINST THE PRINTED CIRCUIT BOARD.
- 3 THE NOTED DIMENSIONS APPLY AT THE INTERSECTION OF THE POST AND HOUSING.
- 4 POST PLATING: 0.00762[.000030] GOLD ON CONTACT AREA, 0.00254-0.00508[.000100-.000200] MATTE TIN-LEAD ON SOLDERTAIL, ALL OVER 0.00127[.000050] NICKEL.
- 5 HOUSING: LCP, COLOR-BLACK.
- 6 POST: COPPER ALLOY.
- 7 PARTS PACKAGED IN TUBES.
- 8 POST PLATING: 0.00762[.000030] GOLD ON CONTACT AREA, 0.00254-0.00508[.000100-.000200] MATTE TIN ON SOLDERTAIL, ALL OVER 0.00127[.000050] NICKEL.
- 9 PRELIMINARY PART - NOT RELEASED FOR PRODUCTION.
- 10 OBSOLETE PARTS: OBSOLETE CIS STREAMLINING PER D.RENAUD/D.SINISI.

| REVISIONS |           |                           |    |     |      |
|-----------|-----------|---------------------------|----|-----|------|
| REV       | DATE      | DESCRIPTION               | BY | CHK | APPV |
| N1        | 01SEP2016 | REVISED PER ECO-16-012733 | NK | MM  |      |



RECOMMENDED PC BOARD MOUNTING DIMENSIONS FOR .063 [.160] THICK PC BOARD AND .012 [.305] STENCIL THICK.

| PLATING | C      | B     | A  | NO. OF POSITIONS | PART NUMBER   |
|---------|--------|-------|----|------------------|---------------|
| 8       | 101.19 | 99.06 | 39 | 80               | 9-146257-0    |
| 8       | 98.65  | 96.52 | 38 | 78               | 10-8-146257-9 |
| 8       | 96.11  | 93.98 | 37 | 76               | 10-8-146257-8 |
| 8       | 93.57  | 91.44 | 36 | 74               | 10-8-146257-7 |
| 8       | 91.03  | 88.90 | 35 | 72               | 8-146257-6    |
| 8       | 88.49  | 86.36 | 34 | 70               | 8-146257-5    |
| 8       | 85.95  | 83.82 | 33 | 68               | 8-146257-4    |
| 8       | 83.41  | 81.28 | 32 | 66               | 10-8-146257-3 |
| 8       | 80.87  | 78.74 | 31 | 64               | 10-8-146257-2 |
| 8       | 78.33  | 76.20 | 30 | 62               | 10-8-146257-1 |
| 8       | 75.79  | 73.66 | 29 | 60               | 8-146257-0    |
| 8       | 73.25  | 71.12 | 28 | 58               | 10-7-146257-9 |
| 8       | 70.71  | 68.58 | 27 | 56               | 10-7-146257-8 |
| 8       | 68.17  | 66.04 | 26 | 54               | 10-7-146257-7 |
| 8       | 65.63  | 63.50 | 25 | 52               | 10-7-146257-6 |
| 8       | 63.09  | 60.96 | 24 | 50               | 7-146257-5    |
| 8       | 60.55  | 58.42 | 23 | 48               | 10-7-146257-4 |
| 8       | 58.01  | 55.88 | 22 | 46               | 10-7-146257-3 |
| 8       | 55.47  | 53.34 | 21 | 44               | 7-146257-2    |
| 8       | 52.93  | 50.80 | 20 | 42               | 10-7-146257-1 |
| 8       | 50.39  | 48.26 | 19 | 40               | 10-7-146257-0 |
| 8       | 47.85  | 45.72 | 18 | 38               | 6-146257-9    |
| 8       | 45.31  | 43.18 | 17 | 36               | 10-6-146257-8 |
| 8       | 42.77  | 40.64 | 16 | 34               | 6-146257-7    |
| 8       | 40.23  | 38.10 | 15 | 32               | 10-6-146257-6 |
| 8       | 37.69  | 35.56 | 14 | 30               | 6-146257-5    |
| 8       | 35.15  | 33.02 | 13 | 28               | 10-6-146257-4 |
| 8       | 32.61  | 30.48 | 12 | 26               | 6-146257-3    |
| 8       | 30.07  | 27.94 | 11 | 24               | 6-146257-2    |
| 8       | 27.53  | 25.40 | 10 | 22               | 6-146257-1    |
| 8       | 24.99  | 22.86 | 9  | 20               | 6-146257-0    |
| 8       | 22.45  | 20.32 | 8  | 18               | 10-5-146257-9 |
| 8       | 19.91  | 17.78 | 7  | 16               | 5-146257-8    |
| 8       | 17.37  | 15.24 | 6  | 14               | 5-146257-7    |
| 8       | 14.83  | 12.70 | 5  | 12               | 5-146257-6    |
| 8       | 12.29  | 10.16 | 4  | 10               | 5-146257-5    |
| 8       | 9.75   | 7.62  | 3  | 8                | 5-146257-4    |
| 8       | 7.21   | 5.08  | 2  | 6                | 5-146257-3    |
| 8       | 4.67   | 2.54  | 1  | 4                | 5-146257-2    |
| 8       | -      | -     | 0  | 2                | 5-146257-1    |

| PLATING | C      | B     | A  | NO. OF POSITIONS | PART NUMBER   |
|---------|--------|-------|----|------------------|---------------|
| 9       | 17.37  | 15.24 | 6  | 14               | 4-146257-6    |
| 9       | 9.75   | 7.62  | 3  | 8                | 4-146257-5    |
| 9       | 7.21   | 5.08  | 2  | 6                | 4-146257-4    |
| 8       | 24.99  | 22.86 | 9  | 20               | 4-146257-3    |
| 7       | 75.79  | 73.66 | 29 | 60               | 10-4-146257-2 |
| 7       | 17.37  | 15.24 | 6  | 14               | 10-4-146257-1 |
| 4       | 101.19 | 99.06 | 39 | 80               | 4-146257-0    |
| 4       | 98.65  | 96.52 | 38 | 78               | 10-3-146257-9 |
| 4       | 96.11  | 93.98 | 37 | 76               | 10-3-146257-8 |
| 4       | 93.57  | 91.44 | 36 | 74               | 10-3-146257-7 |
| 4       | 91.03  | 88.90 | 35 | 72               | 10-3-146257-6 |
| 4       | 88.49  | 86.36 | 34 | 70               | 10-3-146257-5 |
| 4       | 85.95  | 83.82 | 33 | 68               | 10-3-146257-4 |
| 4       | 83.41  | 81.28 | 32 | 66               | 10-3-146257-3 |
| 4       | 80.87  | 78.74 | 31 | 64               | 10-3-146257-2 |
| 4       | 78.33  | 76.20 | 30 | 62               | 10-3-146257-1 |
| 4       | 75.79  | 73.66 | 29 | 60               | 10-3-146257-0 |
| 4       | 73.25  | 71.12 | 28 | 58               | 10-2-146257-9 |
| 4       | 70.71  | 68.58 | 27 | 56               | 10-2-146257-8 |
| 4       | 68.17  | 66.04 | 26 | 54               | 10-2-146257-7 |
| 4       | 65.63  | 63.50 | 25 | 52               | 10-2-146257-6 |
| 4       | 63.09  | 60.96 | 24 | 50               | 2-146257-5    |
| 4       | 60.55  | 58.42 | 23 | 48               | 10-2-146257-4 |
| 4       | 58.01  | 55.88 | 22 | 46               | 10-2-146257-3 |
| 4       | 55.47  | 53.34 | 21 | 44               | 10-2-146257-2 |
| 4       | 52.93  | 50.80 | 20 | 42               | 10-2-146257-1 |
| 4       | 50.39  | 48.26 | 19 | 40               | 2-146257-0    |
| 4       | 47.85  | 45.72 | 18 | 38               | 10-1-146257-9 |
| 4       | 45.31  | 43.18 | 17 | 36               | 10-1-146257-8 |
| 4       | 42.77  | 40.64 | 16 | 34               | 1-146257-7    |
| 4       | 40.23  | 38.10 | 15 | 32               | 10-1-146257-6 |
| 4       | 37.69  | 35.56 | 14 | 30               | 1-146257-5    |
| 4       | 35.15  | 33.02 | 13 | 28               | 10-1-146257-4 |
| 4       | 32.61  | 30.48 | 12 | 26               | 1-146257-3    |
| 4       | 30.07  | 27.94 | 11 | 24               | 1-146257-2    |
| 4       | 27.53  | 25.40 | 10 | 22               | 10-1-146257-1 |
| 4       | 24.99  | 22.86 | 9  | 20               | 1-146257-0    |
| 4       | 22.45  | 20.32 | 8  | 18               | 10-146257-9   |
| 4       | 19.91  | 17.78 | 7  | 16               | 146257-8      |
| 4       | 17.37  | 15.24 | 6  | 14               | 10-146257-7   |
| 4       | 14.83  | 12.70 | 5  | 12               | 10-146257-6   |
| 4       | 12.29  | 10.16 | 4  | 10               | 146257-5      |
| 4       | 9.75   | 7.62  | 3  | 8                | 10-146257-4   |
| 4       | 7.21   | 5.08  | 2  | 6                | 10-146257-3   |
| 4       | 4.67   | 2.54  | 1  | 4                | 146257-2      |
| 4       | -      | -     | 0  | 2                | 146257-1      |

|   |  |  |  |  |  |
|---|--|--|--|--|--|
| THIS DRAWING IS A CONTROLLED DOCUMENT.  |  | DIN R BROWN 19JAN05                              |  | TE Connectivity  |  |
| DIMENSIONS: mm [INCHES]   |  | TOLERANCES UNLESS OTHERWISE SPECIFIED:           |  |  |  |
| 0 PLC ± -<br>1 PLC ± -<br>2 PLC ± 0.51[.02]<br>3 PLC ± 0.12[.005]<br>4 PLC ± 0.012[.0005]<br>ANGLES ± |  | APPLICATION SPEC<br>WEIGHT -<br>CUSTOMER DRAWING |  | NAME: J. GEFSEFORD<br>PRODUCT SPEC<br>APPLICATION SPEC<br>SIZE: A1<br>CASE CODE: 00779<br>DRAWING NO: 146257<br>RESTRICTED TO: |  |
| MATERIAL: SEE TABLE   |  | SCALE: 4:1                                       |  | SHEET 1 OF 1   |  |