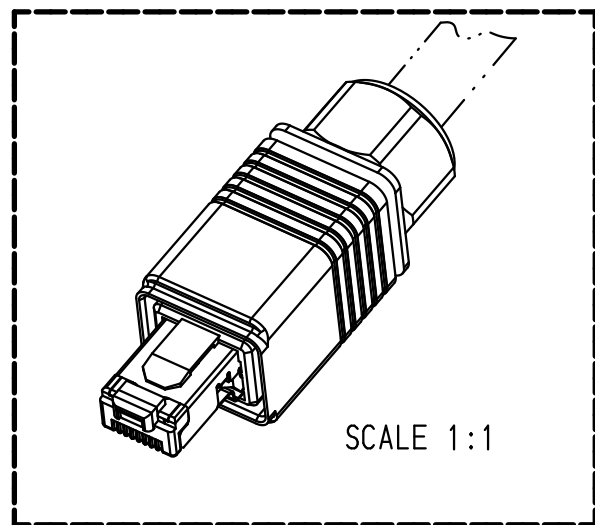
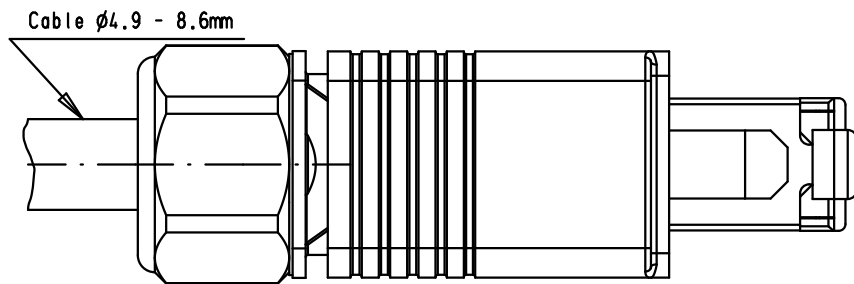
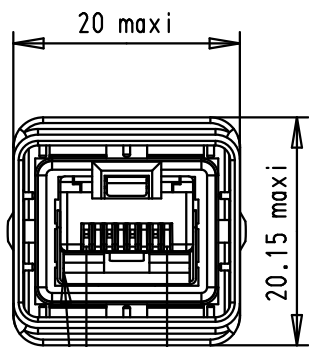
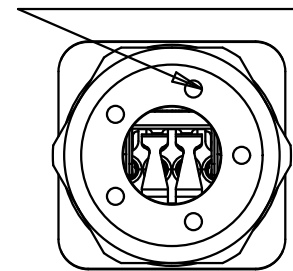


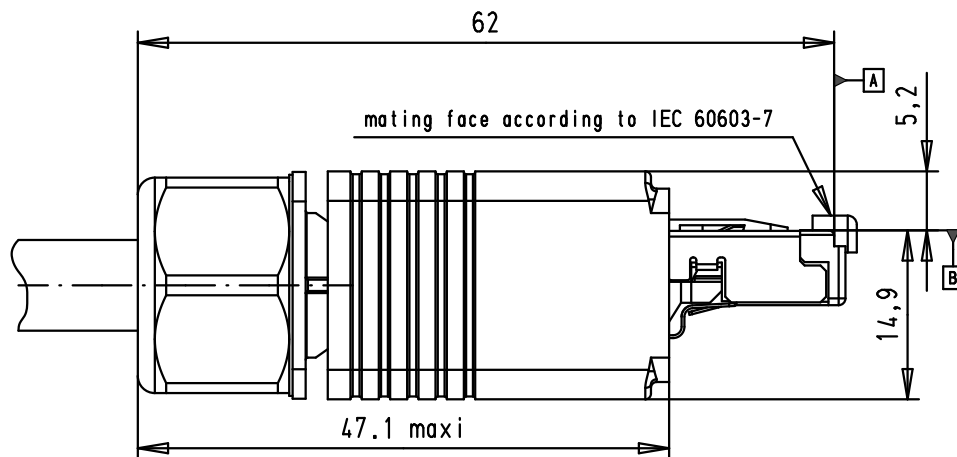
1 2 3 4 5 6



On request: color coding ring for PG9 nut
TB 09 45 840 001X





RJ45 mating face compatible to IEC 60603-7



- For solid and stranded conductors AWG 27 up to AWG 22
- Max. wire diameter 1.5mm
- Cable diameter 4.9 - 8.6mm
- Degree of protection IP65/IP67
- Cat.6 performance class EA suitable for 1/10 Gigabit Ethernet
- Temperature range -40°C up to +70°C
- 750 mating cycles

Data contact plating: Au 1.27 μm (50 μm) over nickel

			Dot.	Name	 All Dim. in mm Orig. Size DIN A 4	HARTING PushPull RJ45 10G connector 8 poles Plastic version (IDC connection)	Maßstab/ Scale 1.5:1
		Detail.	20/10/09	AB			
		Insp.	13/09/11	JMV			
		Stand.					
36311	12/09/11	SM	HARTING EURL F-95972 Paris			TB 09 45 145 1560	Blatt/ Page 1 / 1
36080	20/10/09	AB					
Mod.	Dot.	Name					

Sub.

Mouser Electronics

Authorized Distributor

Click to View Pricing, Inventory, Delivery & Lifecycle Information:

[HARTING:](#)

[09451451560](#)