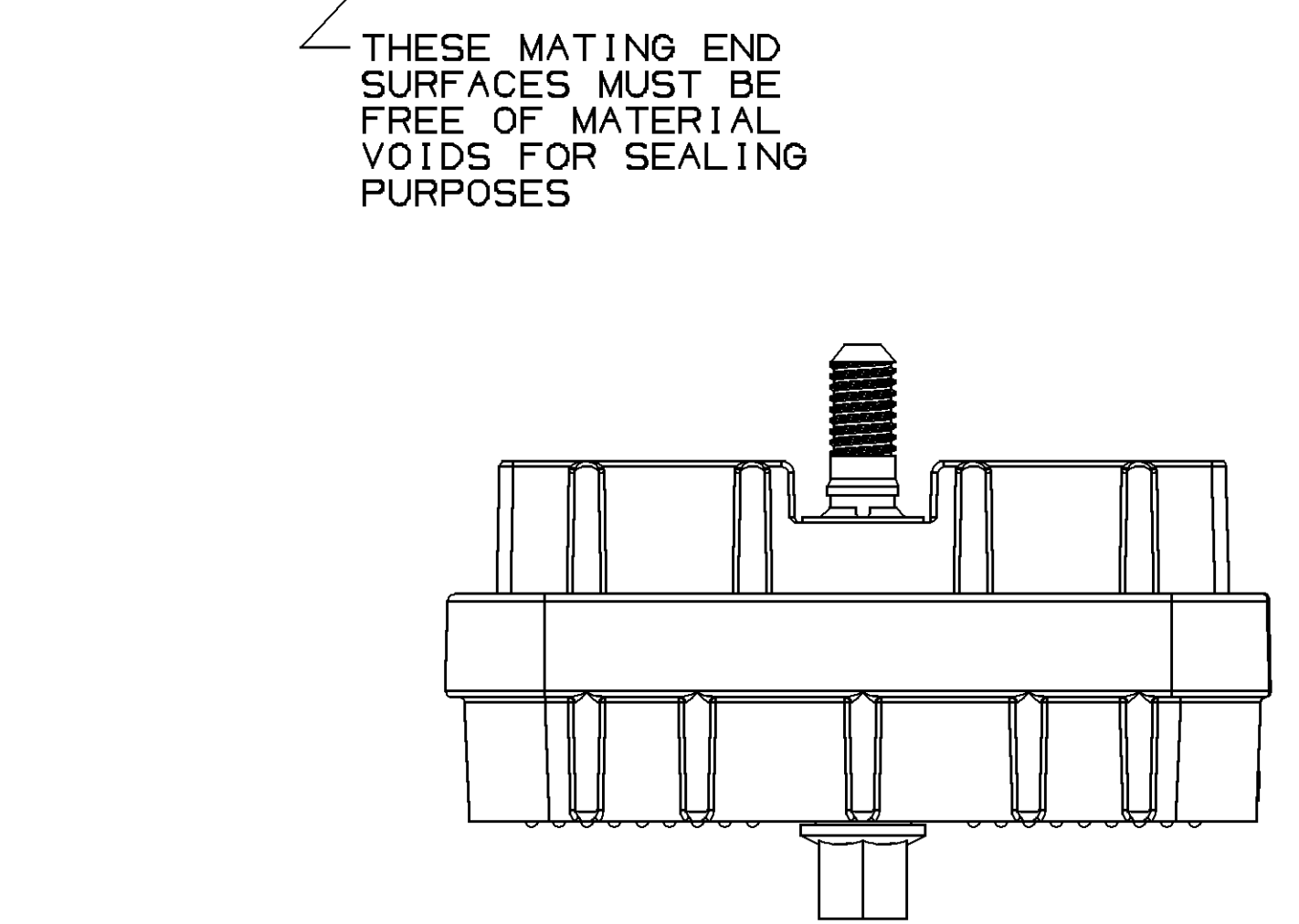
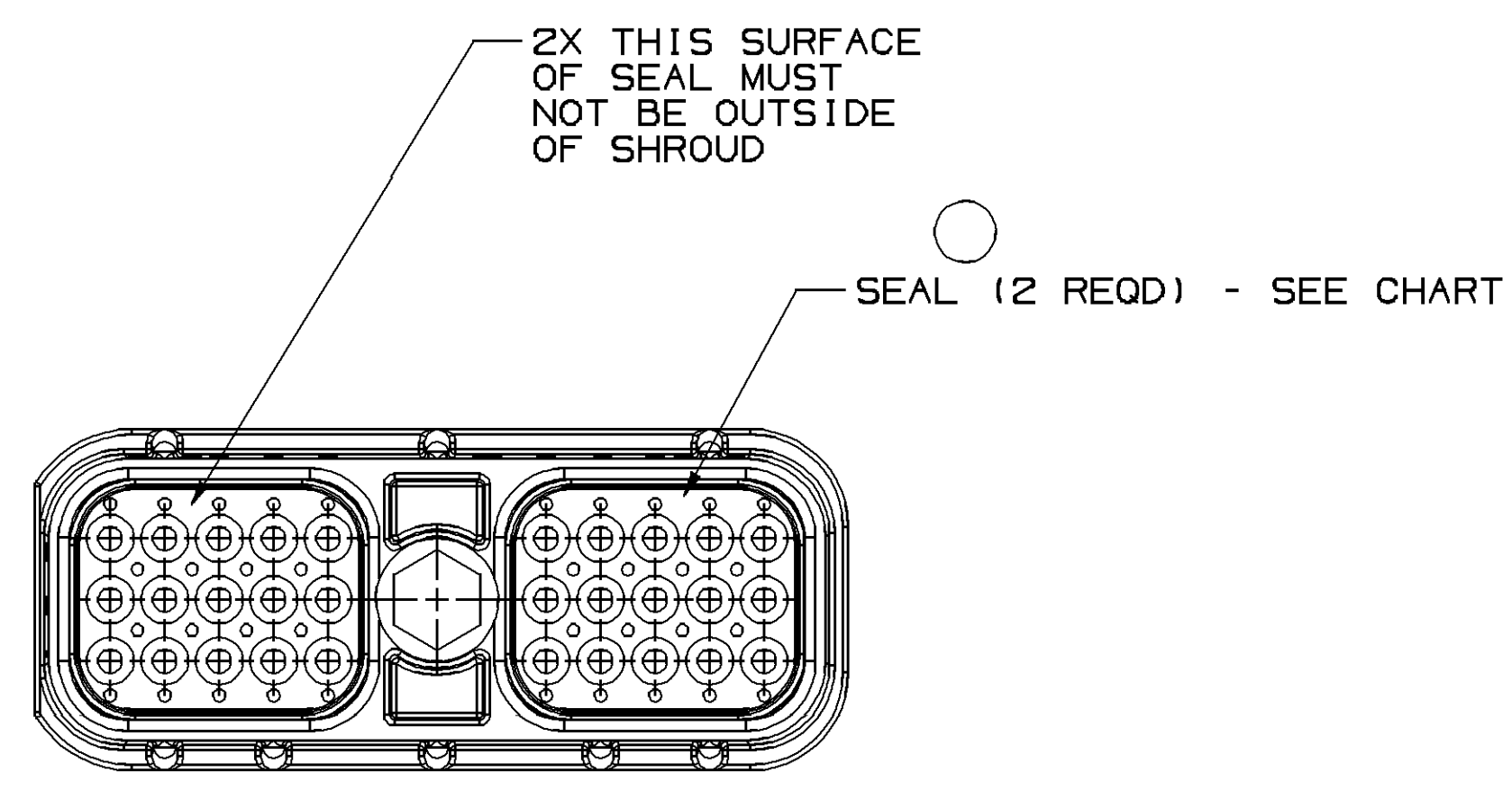
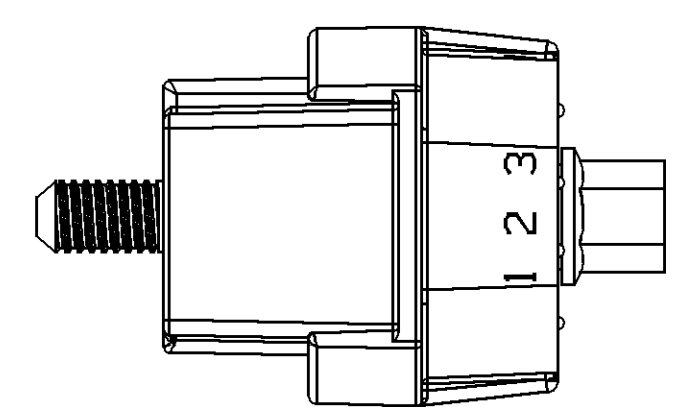
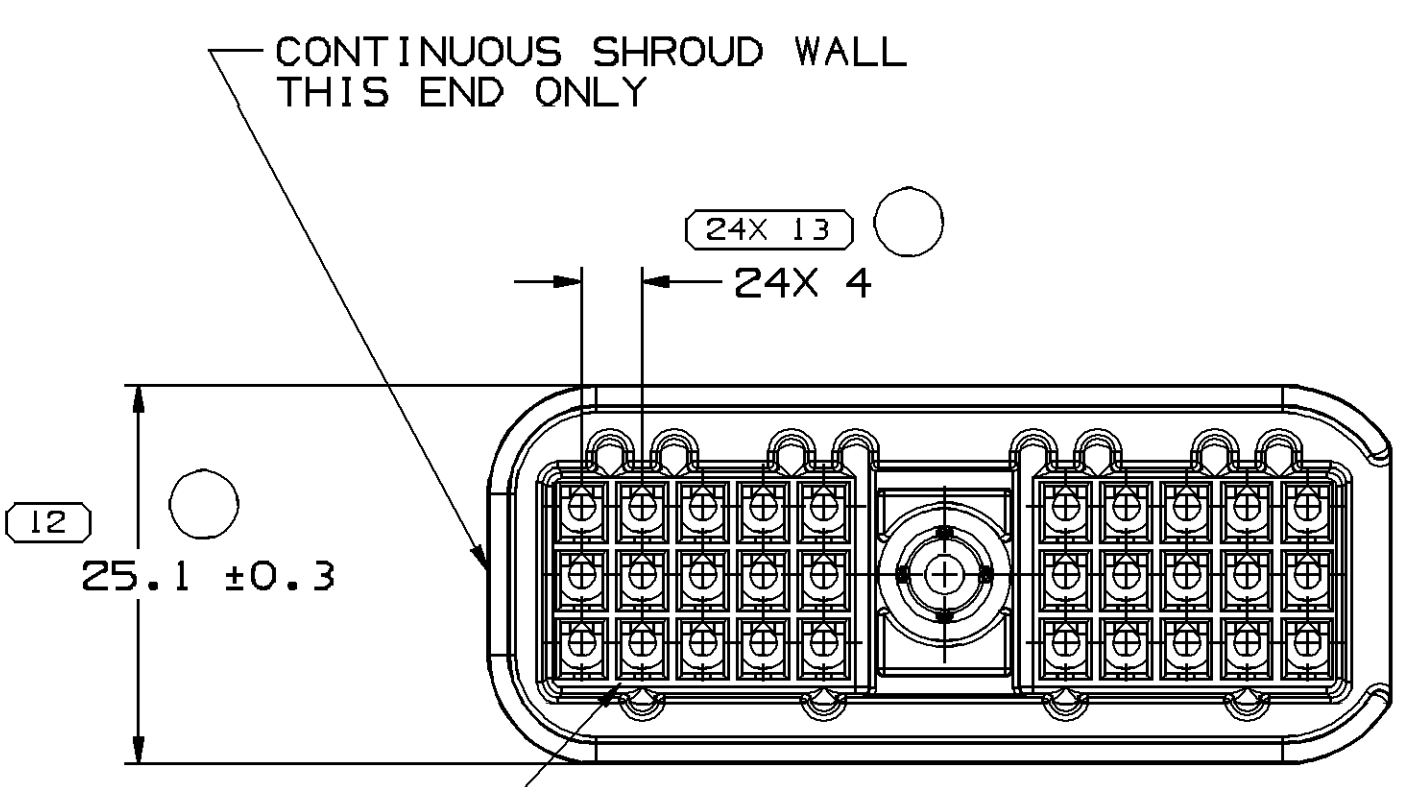
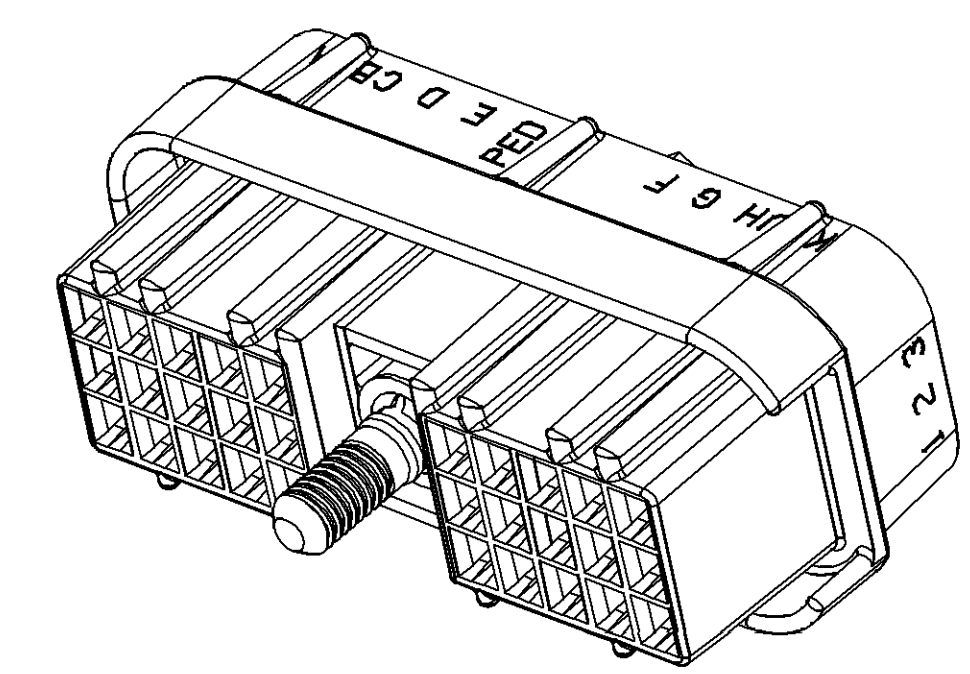
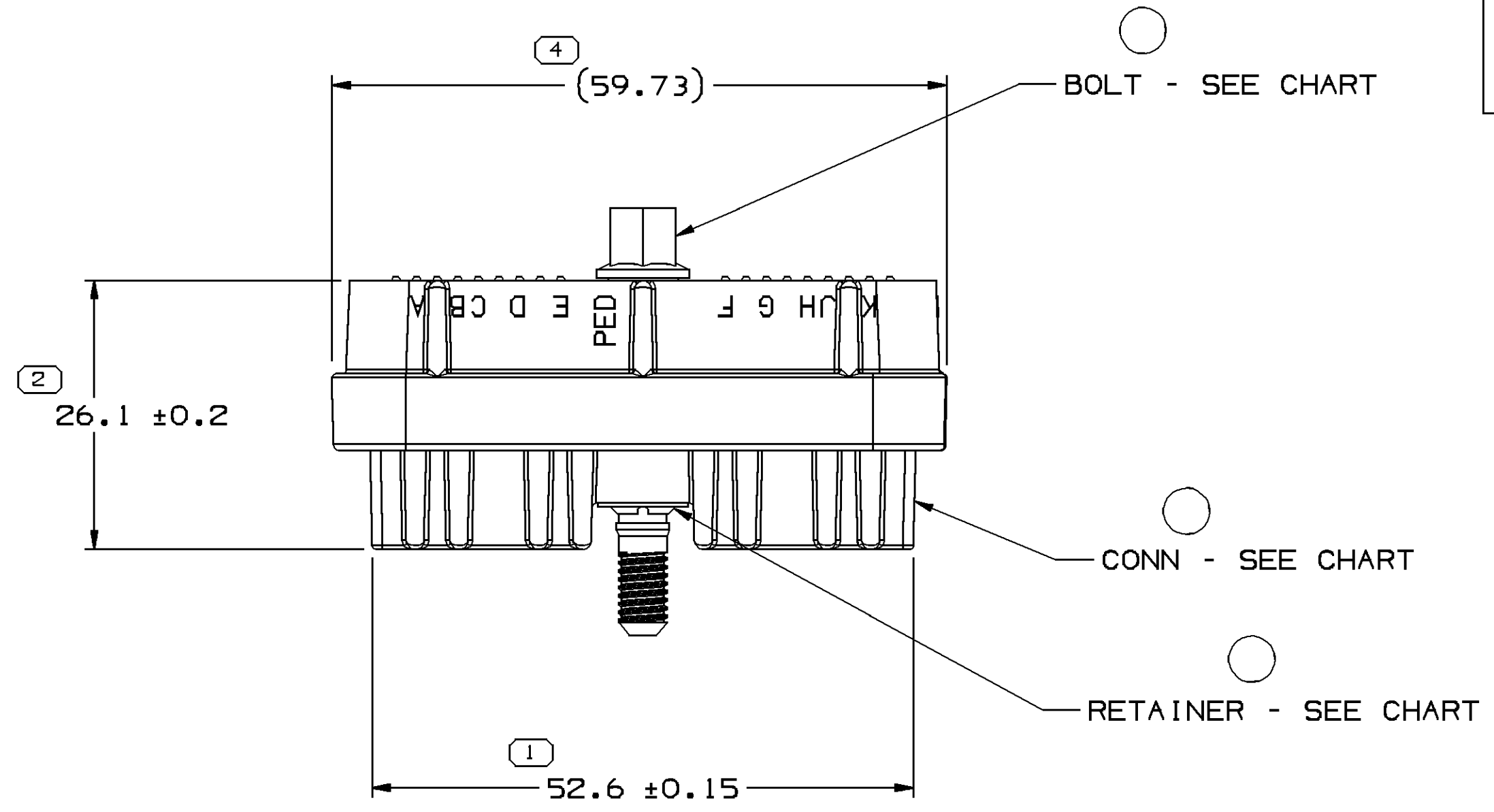


SYMBOL DEFINITION	
A DIMENSION WITHOUT AN INSPECTION REPORT SYMBOL DOES NOT REQUIRE INSPECTION. IT MAY BE CONTROLLED ON THE INDIVIDUAL COMPONENT DRAWING.	TOTAL NO OF INSPECTIONS REQUIRED
	28
	LAST NO. USED
	15

MISSING SYMBOLS		DWG STATUS		REVISION HISTORY		AUTH		DR		APVD	
DATE	STG	REV	N/P	CHG	ZONE	DATE	STG	REV	N/P	CHG	ZONE
25MY04	R	01	-	-		RELEASED	255795	JBD	FRG	MGR	
26AP05	R	01	AA	-		REMOVED LABEL FOR ASSEMBLY PART NUMBER CALLOUT	266520	JTV	FKV	MGR	
20AU07	R	01	AB	-		24X 4 DIM WAS BX 4, 25.1±0.3 DIM WAS 25.1± 0.2, REMOVED DIMS 3, 5-8, 10,11,14 & 15 AND ADDED APPEARANCE NOTE	402137	MEC	MEC	RLS	



NOTES

- UNLESS OTHERWISE SPECIFIED AND/OR INDICATED: DIMENSIONS ARE TO FACE OF VIEW SHOWN AND AUTOMATICALLY ROUNDED BY COMPUTER FOR INSPECTION (SEE MATH MODEL FOR PRECISE DIMENSIONS). FOR ALL OTHER DIMENSIONS NOT SHOWN BUT REQUIRED FOR TOOL BUILD, SEE MATH MODEL FOR PRECISE TOOL PATH DATA.
- THIS PART ACCEPTS THE FOLLOWING COMPONENTS OR EQUIVALENT: CAVITIES TO ACCEPT 12047680 TERMINAL.
- REFERENCE MATING COMPONENTS OR EQUIVALENT: CONNECTOR 12034401
- THIS PART IS NOT CONTROLLED FOR AUTOMATIC FEEDING.
- BOLT TO BE RETAINED IN ASSEMBLY TO A MIN. 400 N.
- RECOMMENDED MATING TORQUE: 0.8 N-M TO 1.5 N-M.
- BOLT MUST ROTATE IN CONNECTOR AT A TORQUE OF LESS THAN 0.6 N-M AFTER RETAINER IS ASSEMBLED.
- SEALING CODE 3 - DESIGN WILL PASS SALT FOG AND IMMERSION TEST AFTER CONDITIONING AS SPECIFIED IN ESA-644 (WEATHER-PACK), ESA-710 (METRI-PACK), ESA-650 (UNDERHOOD MICRO-PACK), C-4006 (WORLD CONNECTOR), ETC WHEN MATED TO MATING PART OR EQUIVALENT
- THIS PRODUCT IS NOT CATEGORIZED AS AN APPEARANCE ITEM, MINOR IMPERFECTIONS INCLUDING, BUT NOT LIMITED TO, FLOW MARKS, COLOR BLEMISHES, GATE VESTIGE, AND SOFT FLASH THAT DO NOT AFFECT THE FIT, FORM, OR FUNCTION OF THE PART ARE PERMISSIBLE PER NAP 4.10-18.

15492544	12034403	15492535	15492534	12040879
PART NO	CONN	RETAINER	BOLT	SEAL

DIMENSIONAL RANGE (MM)		CHART ET	
FROM	TO	> 20	> 300
> 0	> 20	> 30	> 100
> 20	> 30	> 70	> 150
> 30	> 70	> 100	> 200
> 70	> 100	> 150	> 250
> 100	> 150	> 200	> 300
> 150	> 200	> 250	> 400

TOLERANCE UNLESS OTHERWISE SPECIFIED
 ±0.15 | ±0.2 | ±0.3 | ±0.4 | ±0.5 | ±0.6 | ±0.8 | ±1 | ±1.2
 ANGULAR TOLERANCE ±2°

DWG TYPE		PART DRAWING	
STYLE			
VOLUME (CPI)	DISTR CODE		
	D		
UNLESS OTHERWISE SPECIFIED			
THIS DOCUMENT IS IN ACCORDANCE WITH ASME Y14.5M-1994 AS AMENDED BY THE GM GLOBAL DIMENSIONING AND TOLERANCING ADDENDUM-2001. SEPARATE PATTERNS OF FEATURES MAY BE GAGED SEPARATELY REGARDLESS OF DATUM REFERENCES.			
ALL DIMENSIONS ARE IN MILLIMETERS			
REFERENCE			
THIRD ANGLE PROJECTION	DO NOT SCALE	USE MATH DATA	

DELPHI
 DELPHI PACKARD ELECTRICAL/ELECTRONIC ARCHITECTURE
 WARREN, OH

DR	DATE
APVD1 JOSE R.BARRIENTOS	02JL04
APVD2 FCO. RESENDIZ	07JL04
APVD3 MATTHEW ROUSSEL	30JL04
APVD4	
APVD5	

SUBSTANCES OF CONCERN AND RECYCLED CONTENT PER DELPHI 10945001

MATERIAL SEE DRAWING

DRAWING NAME
 ASM CONN 30 F M/P 150 NAT SLD

DRAWING NUMBER
 15492544

SIZE	SCALE	FRAME NO	SHEET NO	STG	REV	N/P
A1	2:1	1 OF 1	1 OF 1	R	01	AB

Mouser Electronics

Authorized Distributor

Click to View Pricing, Inventory, Delivery & Lifecycle Information:

[Aptiv:](#)

[15492544-B](#)