

1.1 nV/ $\sqrt{\text{Hz}}$ Noise, Low Power, Precision Operational Amplifier

Check for Samples: [OPA211-HT](#)

FEATURES

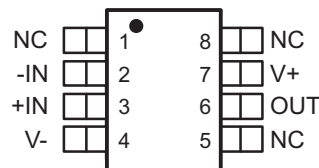
- **Low Voltage Noise:** 1.1 nV/ $\sqrt{\text{Hz}}$ at 1 kHz
- **Input Voltage Noise:** 80 nV_{PP} (0.1 Hz to 10 Hz)
- **THD+N:** –136dB (G = 1, f = 1 kHz)
- **Offset Voltage:** 240 μV (max)
- **Offset Voltage Drift:** 0.35 $\mu\text{V}/^\circ\text{C}$ (typ)
- **Low Supply Current:** 6 mA/Ch (typ)
- **Unity-Gain Stable**
- **Gain Bandwidth Product:** 80 MHz (G = 100)
45 MHz (G = 1)
- **Slew Rate:** 27 V/ μs
- **16-Bit Settling:** 700 ns
- **Wide Supply Range:** $\pm 2.25\text{ V}$ to $\pm 18\text{ V}$, 4.5 V to 36 V
- **Rail-to-rail output**
- **Output current:** 30 mA

APPLICATIONS

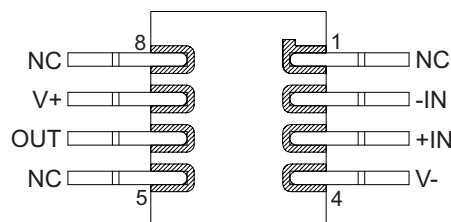
- **Down-Hole Drilling**
- **High Temperature Environments**

SUPPORTS EXTREME TEMPERATURE APPLICATIONS

- **Controlled Baseline**
- **One Assembly/Test Site**
- **One Fabrication Site**
- **Available in Extreme ($-55^\circ\text{C}/210^\circ\text{C}$) Temperature Range ⁽¹⁾**
- **Extended Product Life Cycle**
- **Extended Product-Change Notification**
- **Product Traceability**
- **Texas Instruments high temperature products utilize highly optimized silicon (die) solutions with design and process enhancements to maximize performance over extended temperatures.**

**HKJ PACKAGE
(TOP VIEW)**


NC denotes no internal connection

**HKQ PACKAGE
(TOP VIEW)**


HKQ as formed or HKJ mounted dead bug

(1) Custom temperature ranges available

DESCRIPTION

The OPA211 series of precision operational amplifiers achieves very low 1.1 nV/ $\sqrt{\text{Hz}}$ noise density with a supply current of only 3.6 mA. This series also offers rail-to-rail output swing, which maximizes dynamic range.

The extremely low voltage and low current noise, high speed, and wide output swing of the OPA211 series make these devices an excellent choice as a loop filter amplifier in PLL applications.



Please be aware that an important notice concerning availability, standard warranty, and use in critical applications of Texas Instruments semiconductor products and disclaimers thereto appears at the end of this data sheet.

All trademarks are the property of their respective owners.

In precision data acquisition applications, the OPA211 series of op amps provides 700-ns settling time to 16-bit accuracy throughout 10-V output swings. This ac performance, combined with only 240- μ V of offset and 0.35- μ V/ $^{\circ}$ C of drift over temperature, makes the OPA211 ideal for driving high-precision 16-bit analog-to-digital converters (ADCs) or buffering the output of high-resolution digital-to-analog converters (DACs).

The OPA211 series is specified over a wide dual-power supply range of ± 2.25 V to ± 18 V, or for single-supply operation from 4.5 V to 36 V.

This series of op amps is specified from $T_A = -55^{\circ}$ C to 210° C.

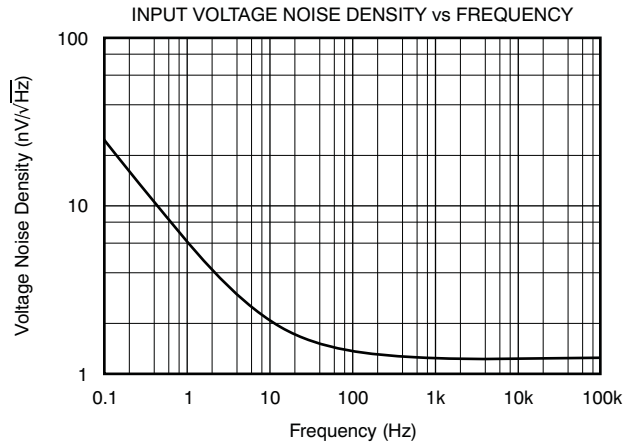


Table 1. ORDERING INFORMATION⁽¹⁾

TA	PACKAGE	ORDERABLE PART NUMBER	TOP-SIDE MARKING
-55°C to 210°C	HKJ	OPA211SHKJ	OPA211SHKJ
	HKQ	OPA211SHKQ	OPA211SHKQ
	KGD	OPA211SKGD1	NA

(1) For the most current package and ordering information, see the Package Option Addendum at the end of this document, or see the TI Web site at www.ti.com.



This integrated circuit can be damaged by ESD. Texas Instruments recommends that all integrated circuits be handled with appropriate precautions. Failure to observe proper handling and installation procedures can cause damage.

ESD damage can range from subtle performance degradation to complete device failure. Precision integrated circuits may be more susceptible to damage because very small parametric changes could cause the device not to meet its published specifications.

BARE DIE INFORMATION

DIE THICKNESS	BACKSIDE FINISH	BACKSIDE POTENTIAL	BOND PAD METALLIZATION COMPOSITION
15 mils.	Silicon with backgrind	V-	Al-Si-Cu (0.5%)

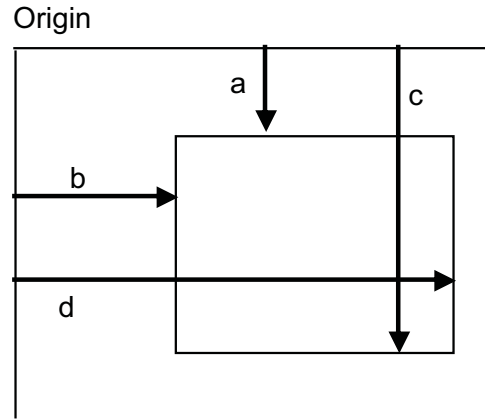
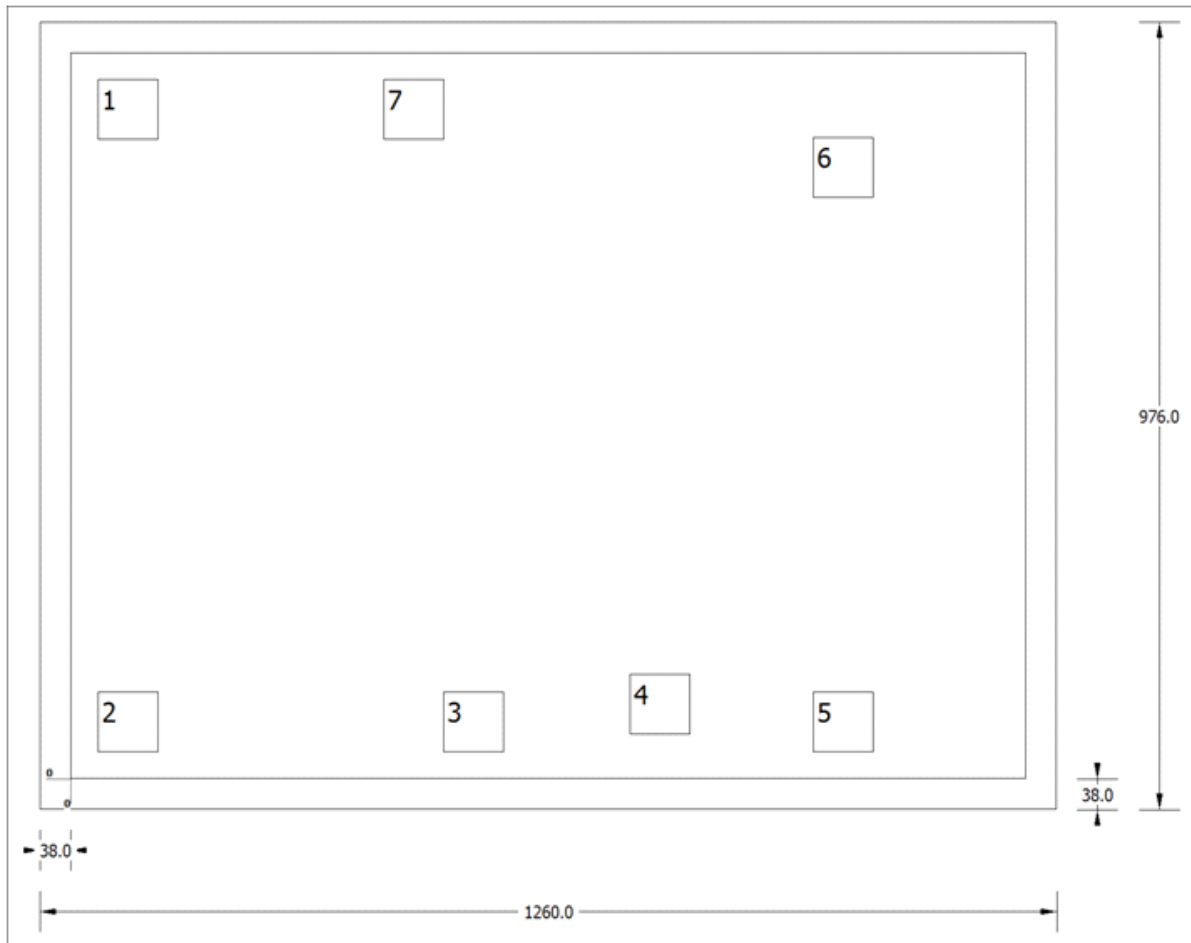


Table 2. BOND PAD COORDINATES

DESCRIPTION	PAD NUMBER	a	b	c	d
-IN	1	34.4000	792.000	109.400	867.000
+IN	2	34.4000	33.000	109.400	108.000
NC	3	461.850	33.000	536.850	108.000
V-	4	692.650	54.600	767.650	129.600
OUT	5	920.400	33.000	995.400	108.000
V+	6	920.400	720.150	995.400	795.150
NC	7	388.050	792.000	463.050	867.000



ABSOLUTE MAXIMUM RATINGS⁽¹⁾

Over operating free-air temperature range (unless otherwise noted).

		VALUE	UNIT
$V_S = (V+) - (V-)$	Supply Voltage	40	V
V_{IN}	Input Voltage	$(V-) - 0.5$ to $(V+) + 0.5$	V
I_{IN}	Input Current (Any pin except power-supply pins)	± 10	mA
	Output Short-Circuit ⁽²⁾	Continuous	
T_A	Operating Temperature	-55 to 210	°C
T_{STG}	Storage Temperature	-65 to 210	°C
T_J	Junction Temperature	210	°C
ESD Ratings	Human Body Model (HBM)	3000	V
	Charged Device Model (CDM)	1000	V

(1) Stresses above these ratings may cause permanent damage. Exposure to absolute maximum conditions for extended periods may degrade device reliability. These are stress ratings only, and functional operation of the device at these or any other conditions beyond those specified is not supported.

(2) Short-circuit to $V_S/2$ (ground in symmetrical dual supply setups), one amplifier per package.

THERMAL CHARACTERISTICS FOR HKJ OR HKQ PACKAGE

over operating free-air temperature range (unless otherwise noted)

PARAMETER		MIN	TYP	MAX	UNIT
θ_{JC}	Junction-to-case thermal resistance	to ceramic side of case		5.7	°C/W
		to top of case lid (metal side of case)		13.7	

ELECTRICAL CHARACTERISTICS: $V_S = \pm 2.25\text{ V}$ to $\pm 18\text{ V}$ At $T_A = 25^\circ\text{C}$, $R_L = 10\text{ k}\Omega$ connected to midsupply, $V_{CM} = V_{OUT} = \text{midsupply}$, unless otherwise noted.

PARAMETER	CONDITIONS	$T_A = -55$ to 125°C			$T_A = 210^\circ\text{C}$			UNIT
		MIN	TYP	MAX	MIN	TYP	MAX	
OFFSET VOLTAGE								
Input Offset Voltage	V_{OS}	$V_S = \pm 15\text{V}$		± 30	± 180	± 70	± 260	μV
Drift	dV_{OS}/dT			0.35	1.5	0.35	2.0	$\mu\text{V}/^\circ\text{C}$
vs Power Supply	PSRR	$V_S = \pm 2.25\text{V}$ to $\pm 18\text{V}$		0.1	3	0.1	3	$\mu\text{V}/\text{V}$
INPUT BIAS CURRENT								
Input Bias Current	I_B	$V_{CM} = 0\text{V}$		± 60	± 200	± 60	± 250	nA
Offset Current	I_{OS}	$V_{CM} = 0\text{V}$		± 25	± 150	± 25	± 150	nA
NOISE								
Input Voltage Noise	e_n	$f = 0.1\text{Hz}$ to 10Hz		80		80		nV_{PP}
Input Voltage Noise Density		$f = 10\text{Hz}$		2		2		$\text{nV}/\sqrt{\text{Hz}}$
		$f = 100\text{Hz}$		1.4		1.4		$\text{nV}/\sqrt{\text{Hz}}$
		$f = 1\text{kHz}$		1.1		1.1		$\text{nV}/\sqrt{\text{Hz}}$
Input Current Noise Density	I_n	$f = 10\text{Hz}$		3.2		3.2		$\text{pA}/\sqrt{\text{Hz}}$
		$f = 1\text{kHz}$		1.7		1.7		$\text{pA}/\sqrt{\text{Hz}}$
INPUT VOLTAGE RANGE⁽¹⁾								
Common-Mode Voltage Range	V_{CM}	$V_S \geq \pm 5\text{V}$		$(V-) + 1.8$	$(V+) - 1.4$	$(V-) + 1.8$	$(V+) - 1.4$	V
		$V_S < \pm 5\text{V}$		$(V-) + 2$	$(V+) - 1.4$	$(V-) + 2$	$(V+) - 1.4$	V
Common-Mode Rejection Ratio	CMRR	$V_S \geq \pm 5\text{V}$, $(V-) + 2\text{V} \leq V_{CM} \leq (V+) - 2\text{V}$		114	120	113	120	dB
		$V_S < \pm 5\text{V}$, $(V-) + 2\text{V} \leq V_{CM} \leq (V+) - 2\text{V}$		108	120	93	100	dB
INPUT IMPEDANCE								
Differential				20k 8		20k 8		Ω pF
Common-Mode				10 ⁹ 2		10 ⁹ 2		Ω pF
OPEN-LOOP GAIN								
Open-Loop Voltage Gain	A_{OL}	$(V-) + 0.2\text{V} \leq V_O \leq (V+) - 0.2\text{V}$, $R_L = 10\text{k}\Omega$		114	130	112	118	dB
		$(V-) + 0.6\text{V} \leq V_O \leq (V+) - 0.6\text{V}$, $R_L = 600\Omega$		110	114	90	93	dB
FREQUENCY RESPONSE								
Gain-Bandwidth Product	GBW	$G = 100$		80		80		MHz
		$G = 1$		45		45		MHz
Slew Rate	SR			27		27		V/ μs
Settling Time, 0.01%	t_s	$V_S = \pm 15\text{V}$, $G = -1$, 10V Step, $C_L = 100\text{pF}$		490		580		ns
		$V_S = \pm 15\text{V}$, $G = -1$, 10V Step, $C_L = 100\text{pF}$		700		750		ns
Overload Recovery Time		$G = -10$		500		500		ns
Total Harmonic Distortion + Noise	THD+N	$G = 1$, $f = 1\text{kHz}$, $V_O = 3V_{RMS}$, $R_L = 600\Omega$		0.00001		0.000015		%
				5				dB
				-136		-136		dB

(1) The OPA211-HT is not intended to be used as a comparator due to its limited differential input range capability.

ELECTRICAL CHARACTERISTICS: $V_S = \pm 2.25\text{ V}$ to $\pm 18\text{ V}$ (continued)

At $T_A = 25^\circ\text{C}$, $R_L = 10\text{ k}\Omega$ connected to midsupply, $V_{CM} = V_{OUT} = \text{midsupply}$, unless otherwise noted.

PARAMETER	CONDITIONS	$T_A = -55$ to 125°C			$T_A = 210^\circ\text{C}$			UNIT
		MIN	TYP	MAX	MIN	TYP	MAX	
OUTPUT								
Voltage Output	V_{OUT} $R_L = 10\text{ k}\Omega$, $A_{OL} \geq 114\text{ dB}$ $R_L = 600\Omega$, $A_{OL} \geq 110\text{ dB}$, $\pm 18\text{ V}$	(V-) + 0.2		(V+) - 0.2	(V-) + 0.2		(V+) - 0.2	V
Short-Circuit Current	I_{SC}		+35/-50	(V+) - 0.6		+30/-45	(V+) - 0.6	mA
Capacitive Load Drive	C_{LOAD}			See Typical Characteristics				
Open-Loop Output Impedance	Z_o $f = 1\text{ MHz}$		5					Ω
POWER SUPPLY								
Specified Voltage	V_S	± 2.25		± 18	± 2.25		± 18	V
Quiescent Current (per channel)	I_Q $I_{OUT} = 0\text{ A}$		3.6	6		6.0	7.5	mA
TEMPERATURE RANGE								
Specified range		-55°C to 210°C						
Operating range		-55°C to 210°C						

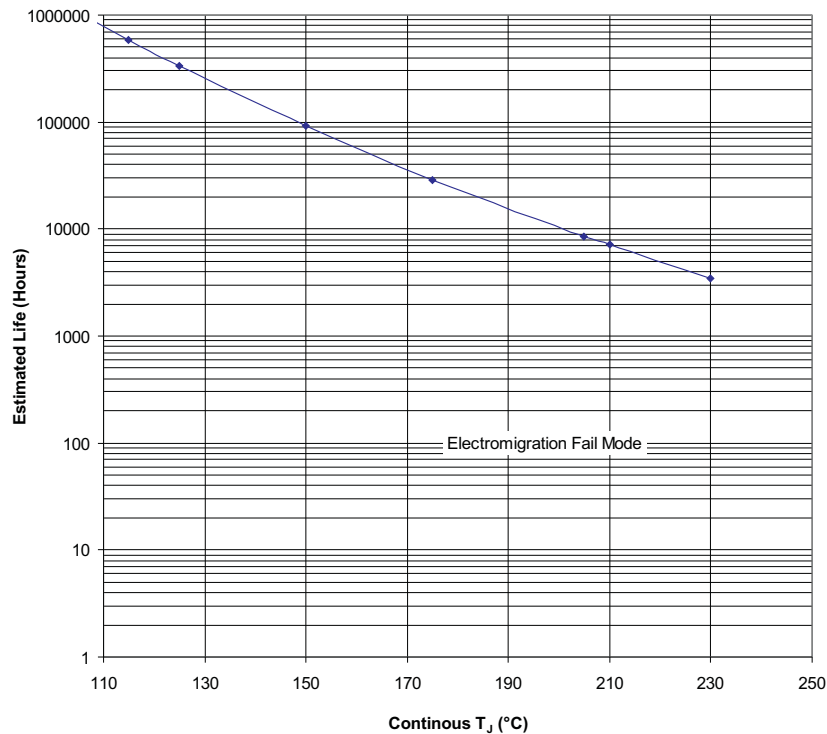


Figure 1. OPA211SKGD1 Operating Life Derating Chart

Notes:

1. See datasheet for absolute maximum and minimum recommended operating conditions.
2. Silicon operating life design goal is 10 years at 105°C junction temperature (does not include package interconnect life).

TYPICAL CHARACTERISTICS

At $T_A = 25^\circ\text{C}$, $V_S = \pm 18\text{ V}$, and $R_L = 10\text{ k}\Omega$, unless otherwise noted.

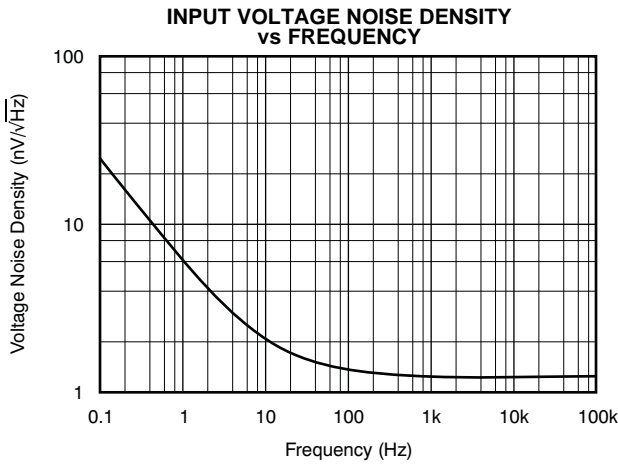


Figure 2.

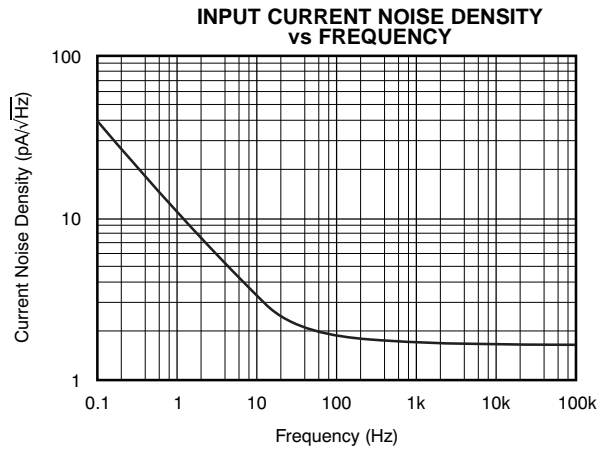


Figure 3.

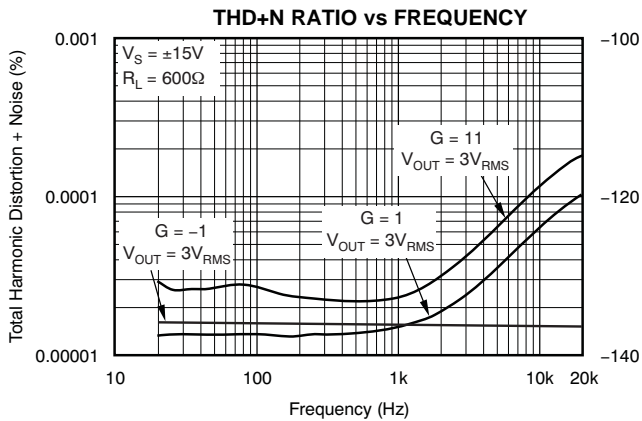


Figure 4.

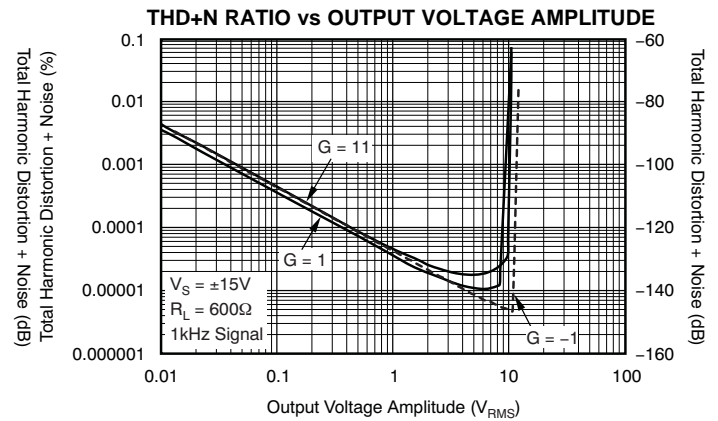


Figure 5.

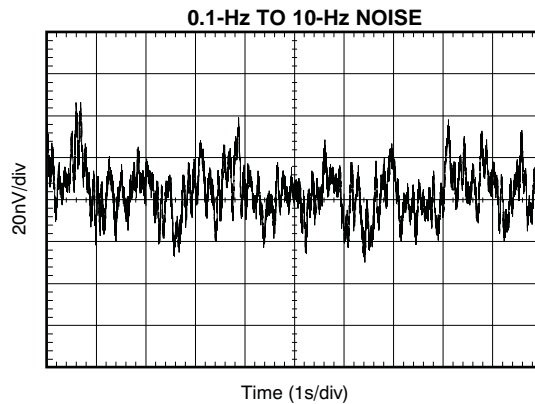
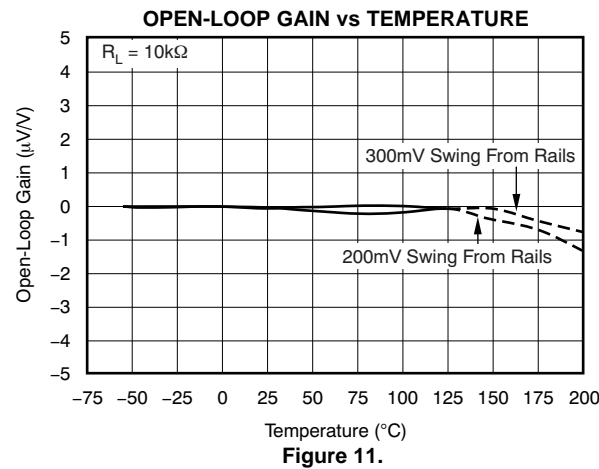
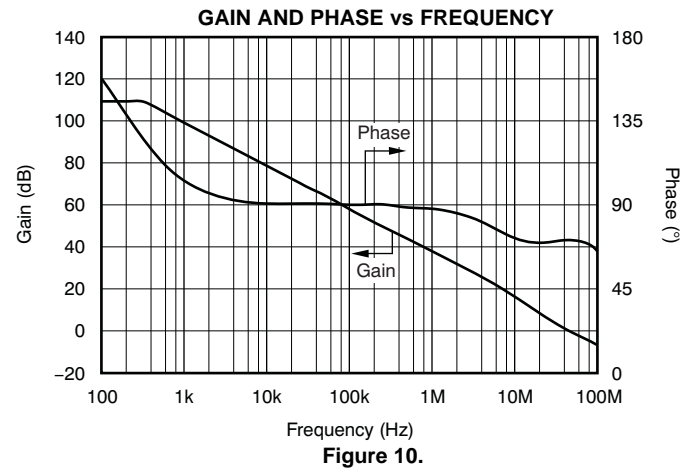
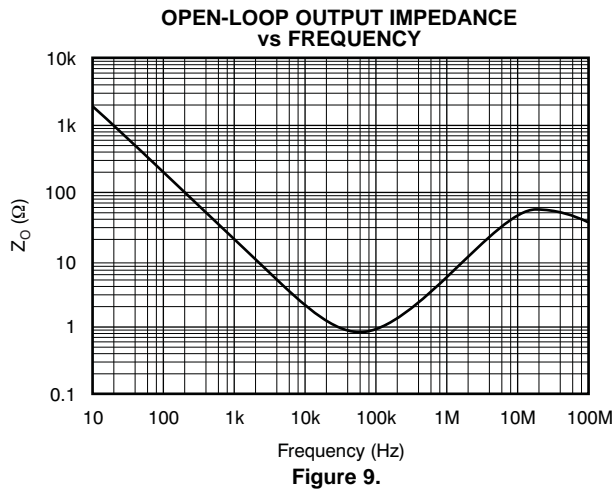
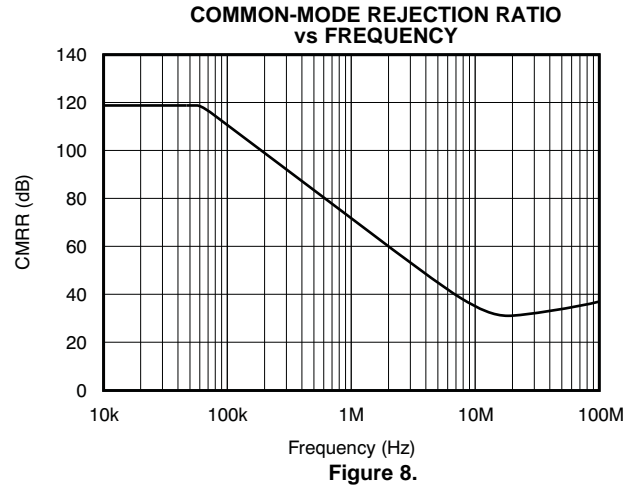
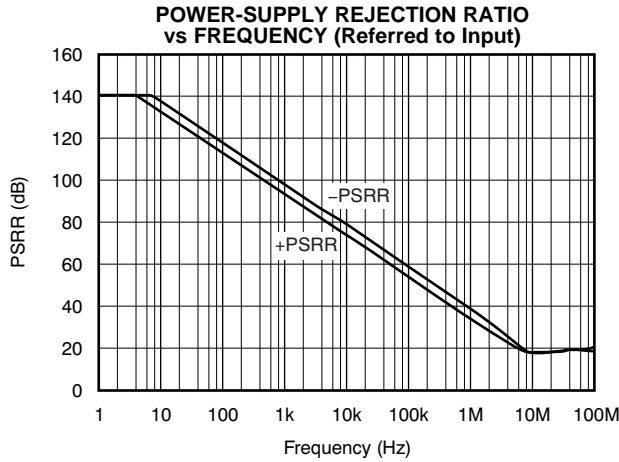


Figure 6.

TYPICAL CHARACTERISTICS (continued)

At $T_A = 25^\circ\text{C}$, $V_S = \pm 18\text{ V}$, and $R_L = 10\text{ k}\Omega$, unless otherwise noted.



TYPICAL CHARACTERISTICS (continued)

At $T_A = 25^\circ\text{C}$, $V_S = \pm 18\text{ V}$, and $R_L = 10\text{ k}\Omega$, unless otherwise noted.

OFFSET VOLTAGE PRODUCTION DISTRIBUTION

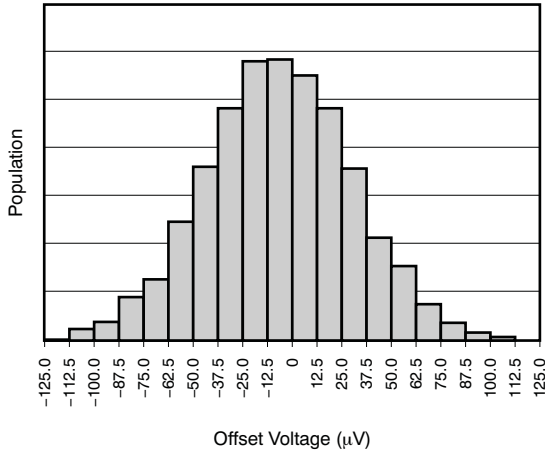


Figure 12.

OFFSET VOLTAGE DRIFT PRODUCTION DISTRIBUTION

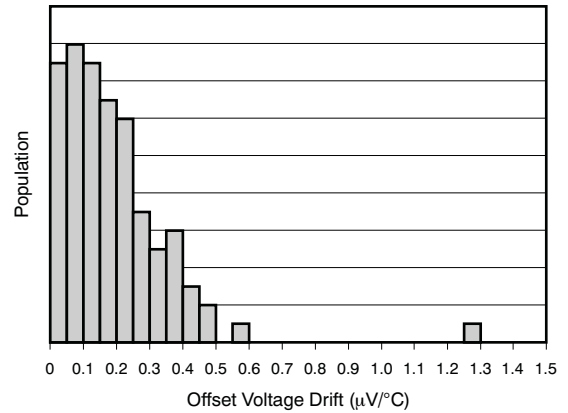


Figure 13.

I_B AND I_{OS} CURRENT vs TEMPERATURE

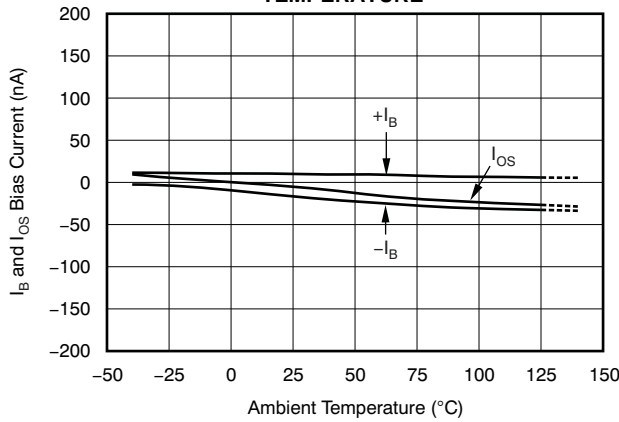


Figure 14.

OFFSET VOLTAGE vs COMMON-MODE VOLTAGE

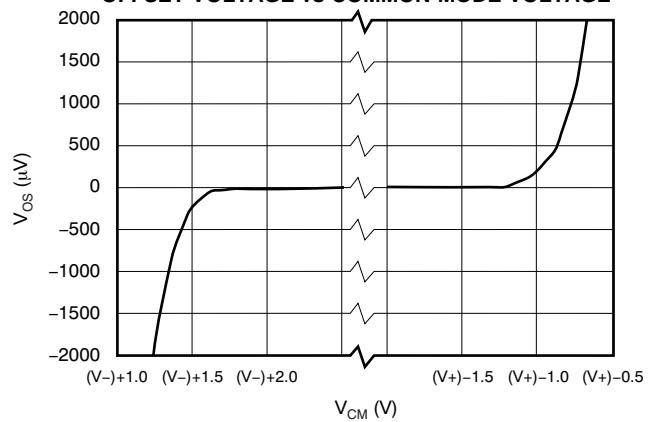


Figure 15.

V_{OS} WARMUP

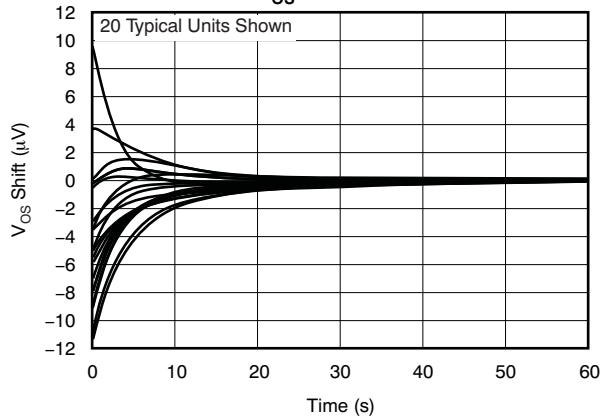


Figure 16.

INPUT OFFSET CURRENT vs SUPPLY VOLTAGE

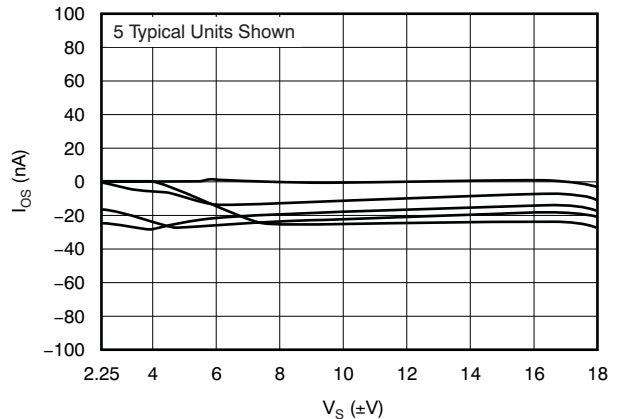


Figure 17.

TYPICAL CHARACTERISTICS (continued)

At $T_A = 25^\circ\text{C}$, $V_S = \pm 18\text{ V}$, and $R_L = 10\text{ k}\Omega$, unless otherwise noted.

INPUT OFFSET CURRENT vs COMMON-MODE VOLTAGE

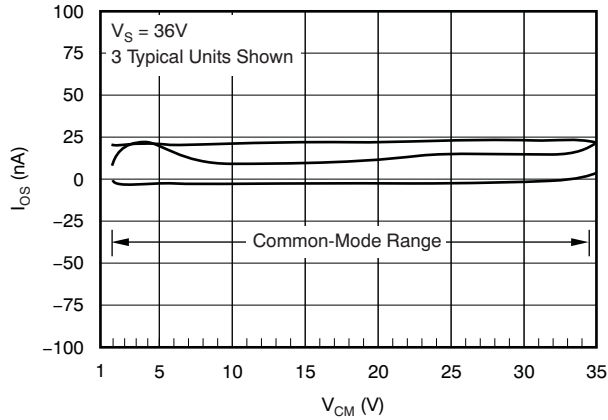


Figure 18.

INPUT BIAS CURRENT vs SUPPLY VOLTAGE

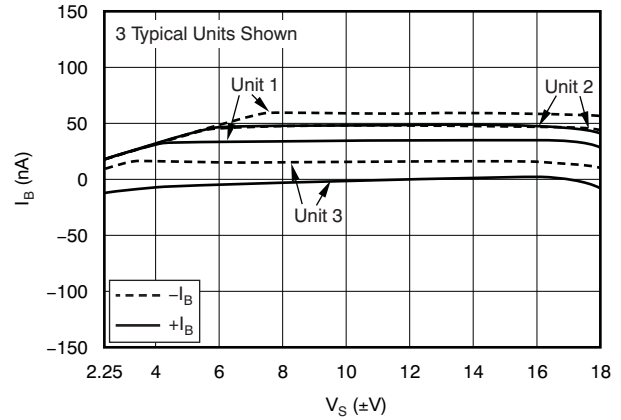


Figure 19.

INPUT BIAS CURRENT vs COMMON-MODE VOLTAGE

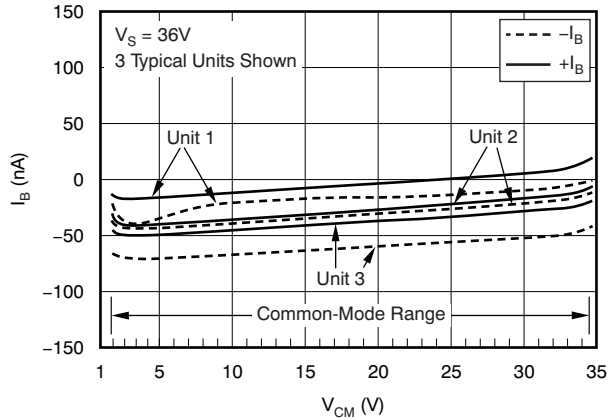


Figure 20.

QUIESCENT CURRENT vs TEMPERATURE

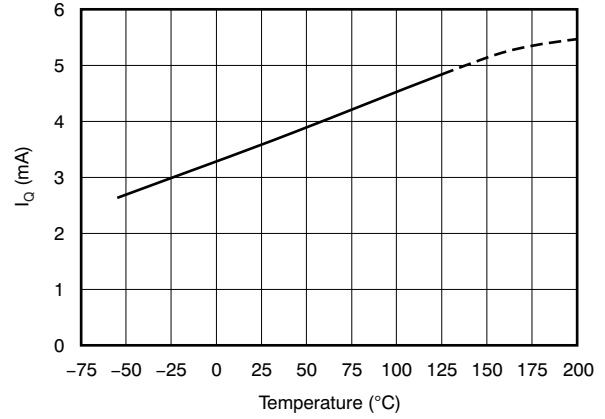


Figure 21.

QUIESCENT CURRENT vs SUPPLY VOLTAGE

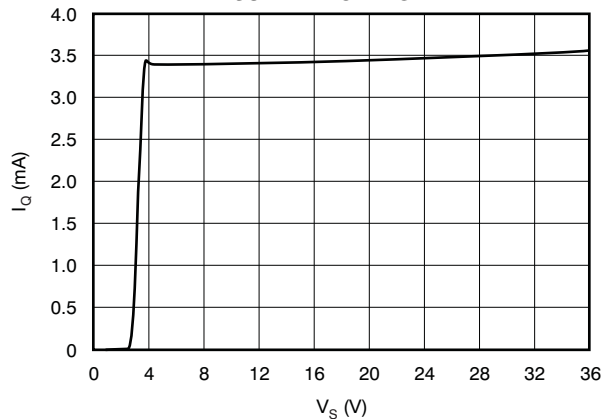


Figure 22.

NORMALIZED QUIESCENT CURRENT vs TIME

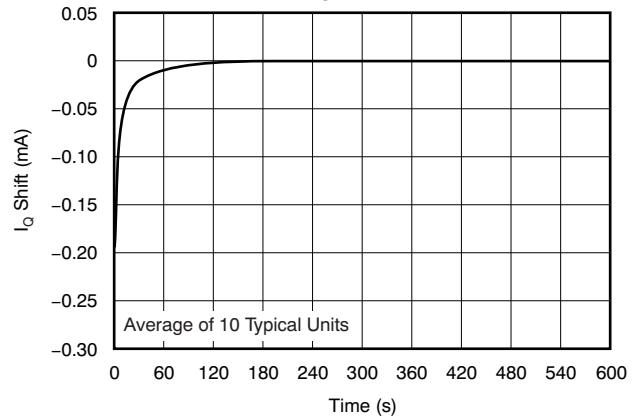


Figure 23.

TYPICAL CHARACTERISTICS (continued)

At $T_A = 25^\circ\text{C}$, $V_S = \pm 18\text{ V}$, and $R_L = 10\text{ k}\Omega$, unless otherwise noted.

SHORT-CIRCUIT CURRENT vs TEMPERATURE

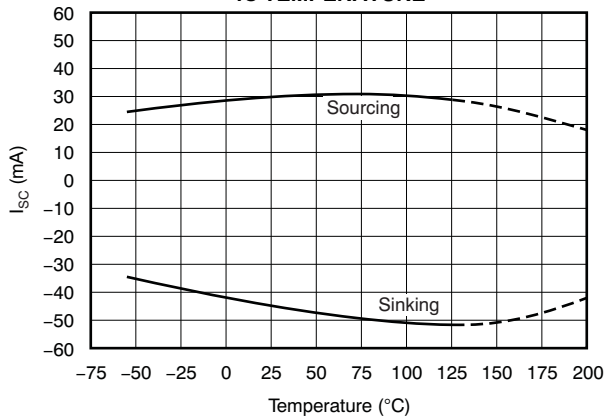


Figure 24.

SMALL-SIGNAL STEP RESPONSE (100 mV)

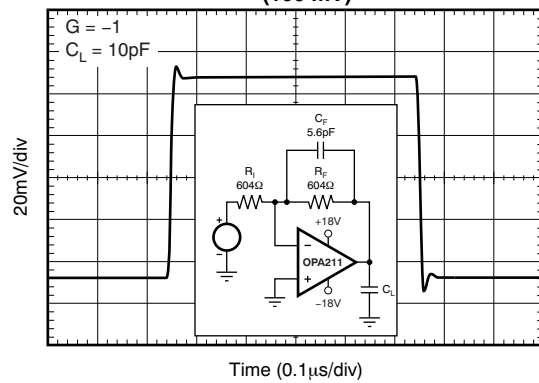


Figure 25.

SMALL-SIGNAL STEP RESPONSE (100 mV)

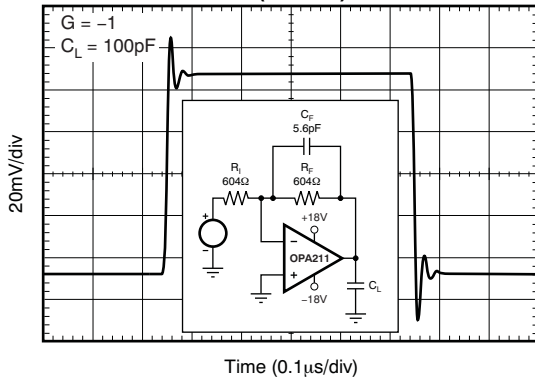


Figure 26.

SMALL-SIGNAL STEP RESPONSE (100 mV)

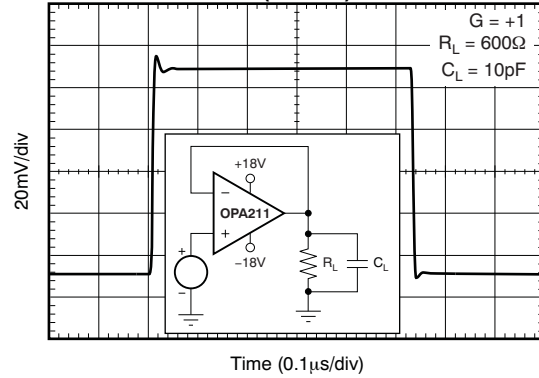


Figure 27.

SMALL-SIGNAL STEP RESPONSE (100 mV)

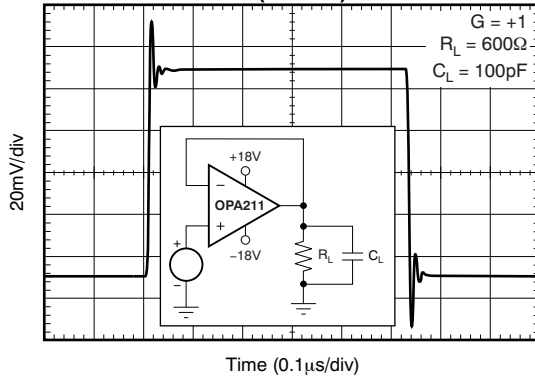


Figure 28.

SMALL-SIGNAL OVERSHOOT vs CAPACITIVE LOAD (100-mV Output Step)

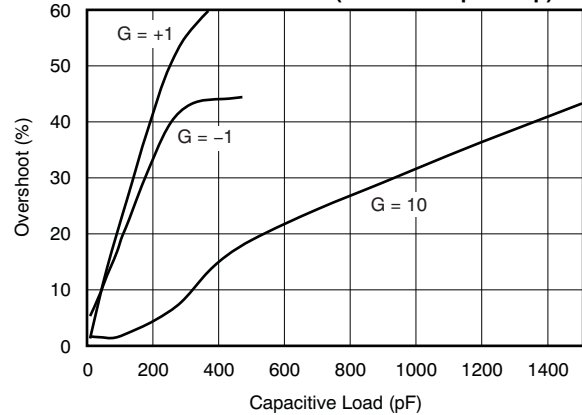
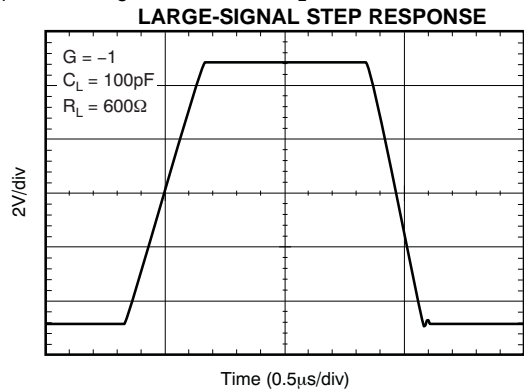


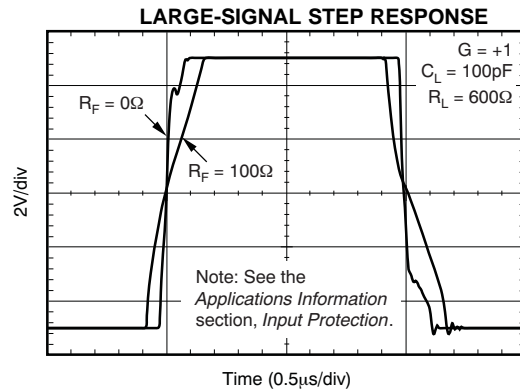
Figure 29.

TYPICAL CHARACTERISTICS (continued)

At $T_A = 25^\circ\text{C}$, $V_S = \pm 18\text{ V}$, and $R_L = 10\text{ k}\Omega$, unless otherwise noted.



Time (0.5 $\mu\text{s}/\text{div}$)
Figure 30.



Time (0.5 $\mu\text{s}/\text{div}$)
Figure 31.

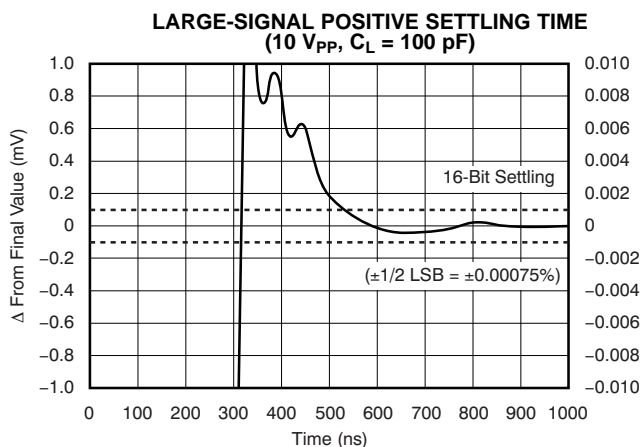


Figure 32.

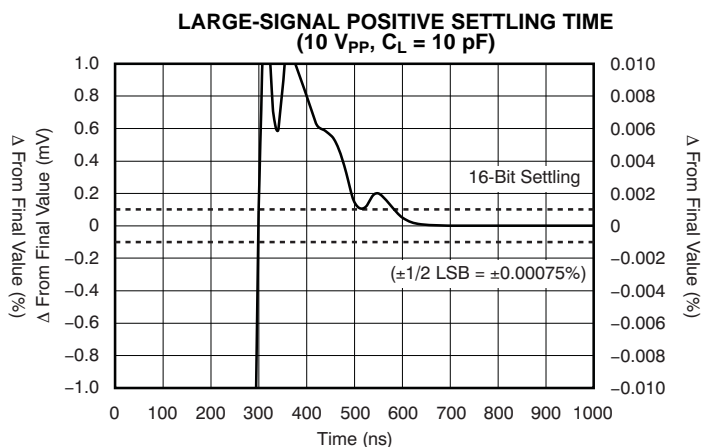


Figure 33.

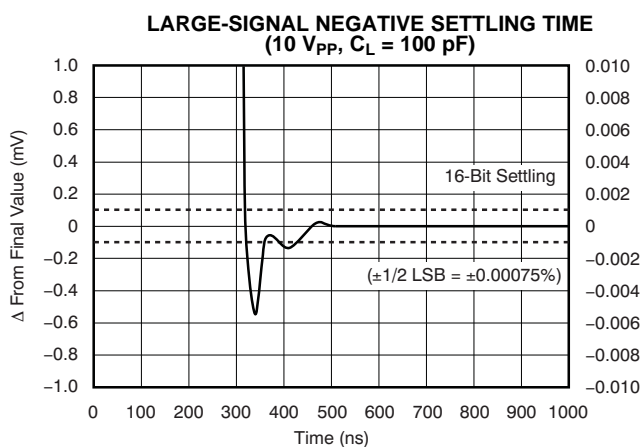


Figure 34.

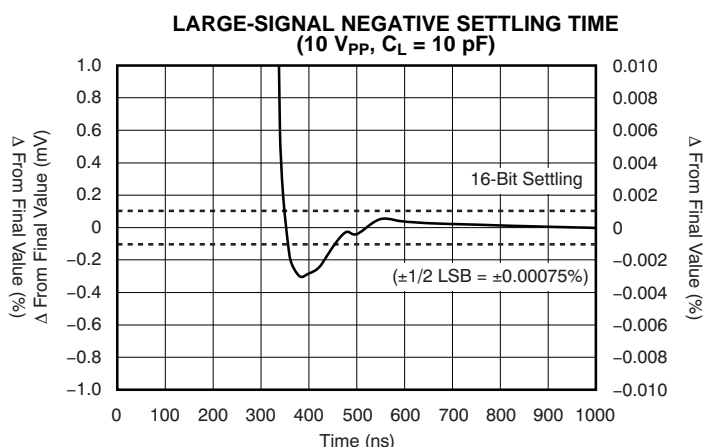
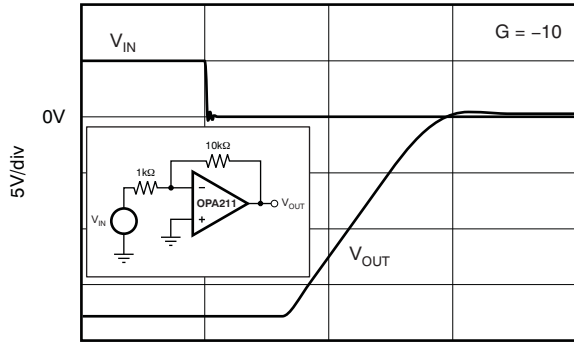


Figure 35.

TYPICAL CHARACTERISTICS (continued)

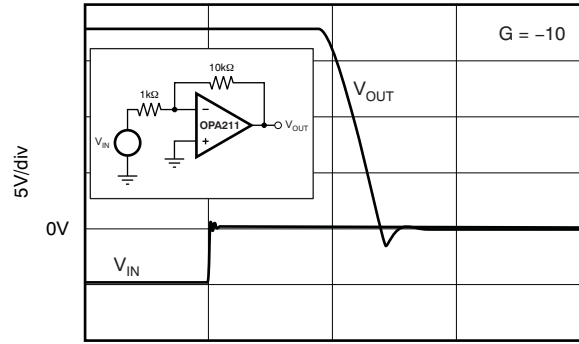
At $T_A = 25^\circ\text{C}$, $V_S = \pm 18\text{ V}$, and $R_L = 10\text{ k}\Omega$, unless otherwise noted.

NEGATIVE OVERLOAD RECOVERY



Time (0.5μs/div)
Figure 36.

POSITIVE OVERLOAD RECOVERY



Time (0.5μs/div)
Figure 37.

OUTPUT VOLTAGE vs OUTPUT CURRENT

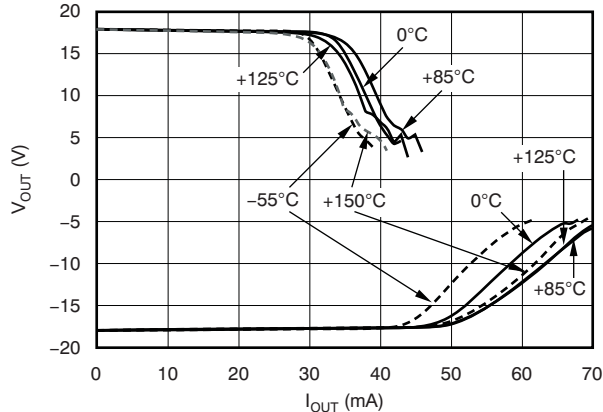


Figure 38.

NO PHASE REVERSAL

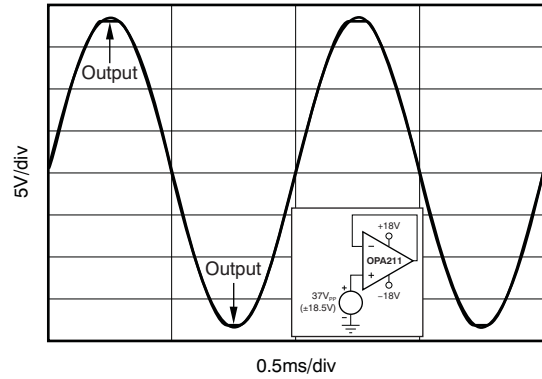
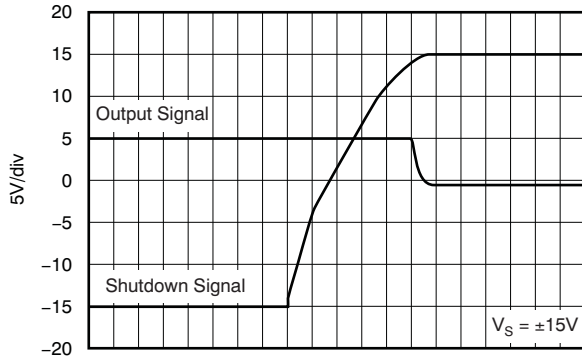


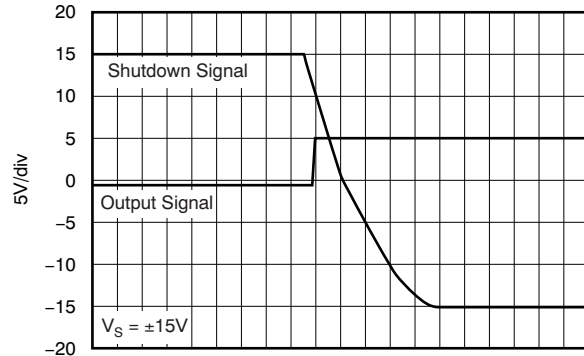
Figure 39.

TURN-OFF TRANSIENT



Time (2μs/div)
Figure 40.

TURN-ON TRANSIENT



Time (2μs/div)
Figure 41.

TYPICAL CHARACTERISTICS (continued)

At $T_A = 25^\circ\text{C}$, $V_S = \pm 18\text{ V}$, and $R_L = 10\text{ k}\Omega$, unless otherwise noted.

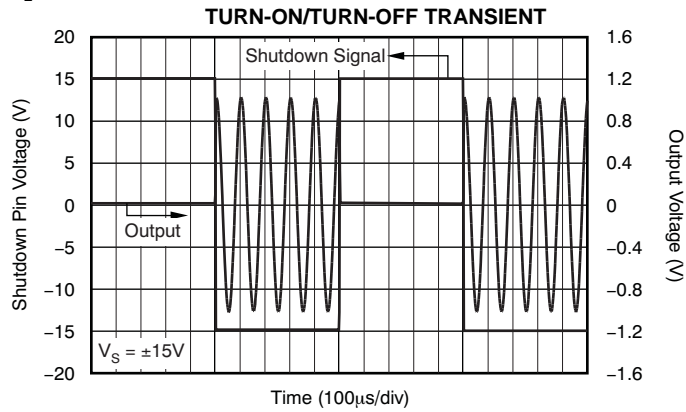


Figure 42.

APPLICATION INFORMATION

The OPA211 is a unity-gain stable, precision op amp with very low noise. Applications with noisy or high-impedance power supplies require decoupling capacitors close to the device pins. In most cases, 0.1- μ F capacitors are adequate. Figure 43 shows a simplified schematic of the OPA211. This die uses a SiGe bipolar process and contains 180 transistors.

OPERATING VOLTAGE

OPA211 series op amps operate from ± 2.25 -V to ± 18 -V supplies while maintaining excellent performance. The OPA211 series can operate with as little as 4.5 V between the supplies and with up to 36 V between the supplies. However, some applications

do not require equal positive and negative output voltage swing. With the OPA211 series, power-supply voltages do not need to be equal. For example, the positive supply could be set to 25 V with the negative supply at -5 V or vice-versa.

The common-mode voltage must be maintained within the specified range. In addition, key parameters are assured over the specified temperature range, $T_A = -55^\circ\text{C}$ to 210°C . Parameters that vary significantly with operating voltage or temperature are shown in the [Typical Characteristics](#).

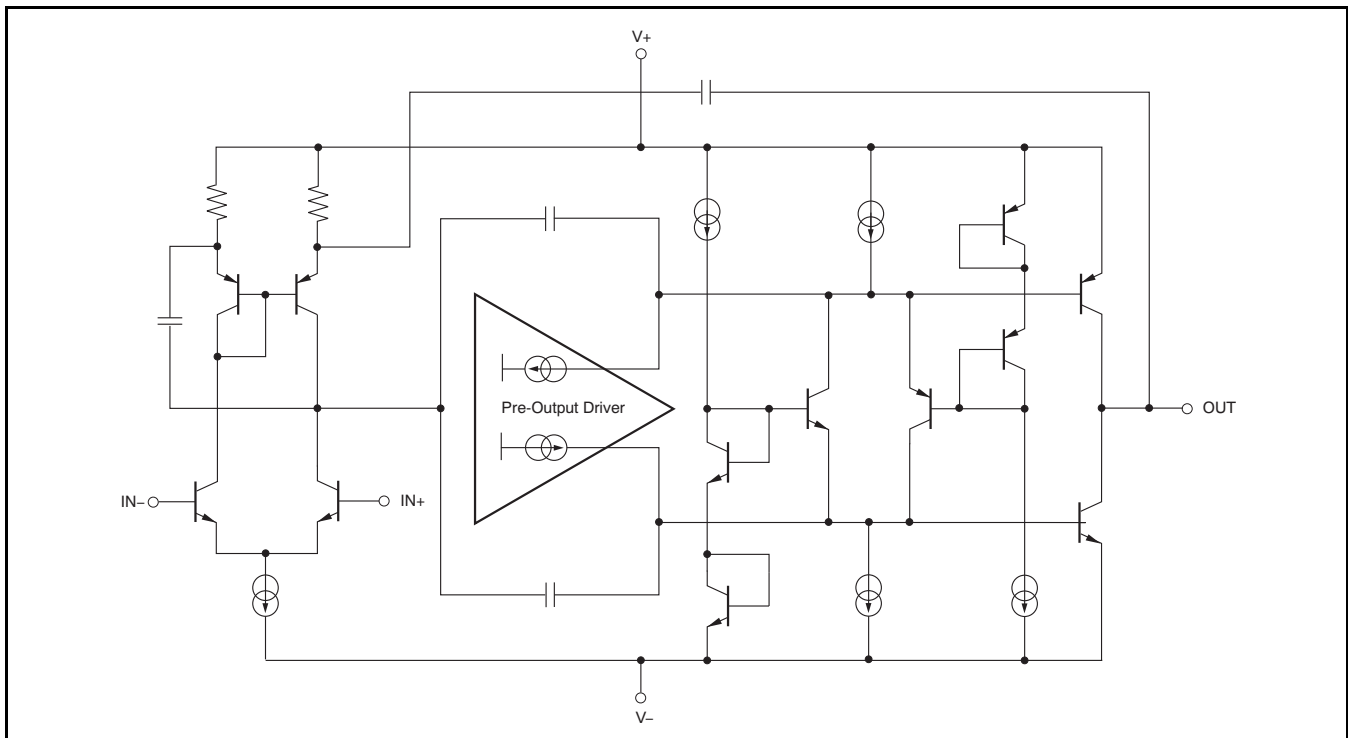


Figure 43. OPA211 Simplified Schematic

INPUT PROTECTION

The input terminals of the OPA211 are protected from excessive differential voltage with back-to-back diodes, as shown in Figure 44. In most circuit applications, the input protection circuitry has no consequence. However, in low-gain or $G = 1$ circuits, fast ramping input signals can forward bias these diodes because the output of the amplifier cannot respond rapidly enough to the input ramp. This effect is illustrated in Figure 31 of the Typical Characteristics. If the input signal is fast enough to create this forward bias condition, the input signal current must be limited to 10mA or less. If the input signal current is not inherently limited, an input series resistor can be used to limit the signal input current. This input series resistor degrades the low-noise performance of the OPA211, and is discussed in the *Noise Performance* section of this data sheet. Figure 44 shows an example implementing a current-limiting feedback resistor.

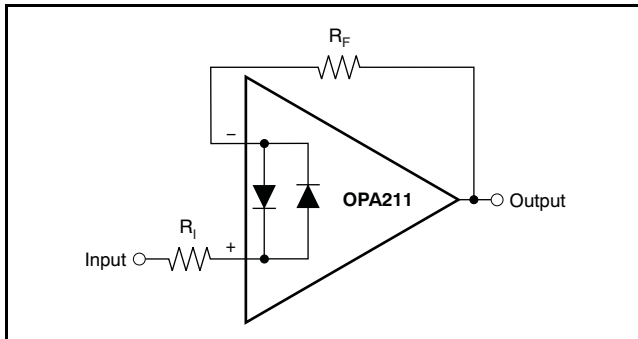


Figure 44. Pulsed Operation

NOISE PERFORMANCE ⁽¹⁾

Figure 45 shows total circuit noise for varying source impedances with the op amp in a unity-gain configuration (no feedback resistor network, and therefore no additional noise contributions). Two different op amps are shown with total circuit noise calculated. The OPA211 has very low voltage noise, making it ideal for low source impedances (less than 2 k Ω). A similar precision op amp, the OPA227, has somewhat higher precision voltage noise but lower current noise. It provides excellent noise performance at moderate source impedance (10 k Ω to 100 k Ω). Above 100 k Ω , a FET-input op amp such as the OPA132 (very low current noise) may provide improved performance. The equation in Figure 45 is shown for the calculation of the total circuit noise. Note that e_n = voltage noise, i_n = current noise, R_S = source impedance, k = Boltzmann's constant = 1.38×10^{-23} J/K, and T is temperature in K.

(1) OPA227 and OPA132 have not been characterized or tested at 210°C.

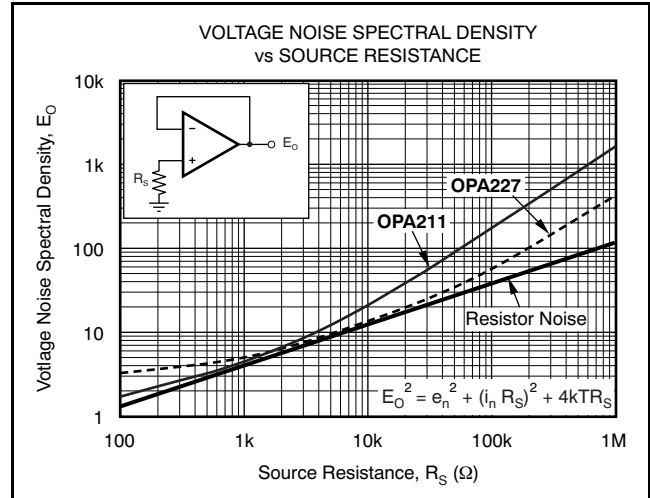


Figure 45. Noise Performance of the OPA211 and OPA227 in Unity-Gain Buffer Configuration

BASIC NOISE CALCULATIONS

Design of low-noise op amp circuits requires careful consideration of a variety of possible noise contributors: noise from the signal source, noise generated in the op amp, and noise from the feedback network resistors. The total noise of the circuit is the root-sum-square combination of all noise components.

The resistive portion of the source impedance produces thermal noise proportional to the square root of the resistance. This function is plotted in Figure 45. The source impedance is usually fixed; consequently, select the op amp and the feedback resistors to minimize the respective contributions to the total noise.

Figure 45 depicts total noise for varying source impedances with the op amp in a unity-gain configuration (no feedback resistor network, and therefore no additional noise contributions). The operational amplifier itself contributes both a voltage noise component and a current noise component. The voltage noise is commonly modeled as a time-varying component of the offset voltage. The current noise is modeled as the time-varying component of the input bias current and reacts with the source resistance to create a voltage component of noise. Therefore, the lowest noise op amp for a given application depends on the source impedance. For low source impedance, current noise is negligible and voltage noise generally dominates. For high source impedance, current noise may dominate.

Figure 46 illustrates both inverting and noninverting op amp circuit configurations with gain. In circuit configurations with gain, the feedback network resistors also contribute noise. The current noise of the op amp reacts with the feedback resistors to create additional noise components. The feedback resistor values can generally be chosen to make these noise sources negligible. The equations for total noise are shown for both configurations.

TOTAL HARMONIC DISTORTION MEASUREMENTS

OPA211 series op amps have excellent distortion characteristics. THD + Noise is below 0.0001% ($G = 1$, $V_O = 3 V_{RMS}$) throughout the audio frequency range, 20 Hz to 20 kHz, with a 600- Ω load.

The distortion produced by OPA211 series op amps is below the measurement limit of many commercially available distortion analyzers. However, a special test circuit illustrated in Figure 47 can be used to extend the measurement capabilities.

Op amp distortion can be considered an internal error source that can be referred to the input. Figure 47 shows a circuit that causes the op amp distortion to be 101 times greater than that normally produced by the op amp. The addition of R_3 to the otherwise standard noninverting amplifier configuration alters the feedback factor or noise gain of the circuit. The closed-loop gain is unchanged, but the feedback available for error correction is reduced by a factor of

101, thus extending the resolution by 101. Note that the input signal and load applied to the op amp are the same as with conventional feedback without R_3 . The value of R_3 should be kept small to minimize its effect on the distortion measurements.

Validity of this technique can be verified by duplicating measurements at high gain and/or high frequency where the distortion is within the measurement capability of the test equipment. Measurements for this data sheet were made with an Audio Precision System Two distortion/noise analyzer, which greatly simplifies such repetitive measurements. The measurement technique can, however, be performed with manual distortion measurement instruments.

SHUTDOWN

The shutdown (enable) function of the OPA211 is referenced to the positive supply voltage of the operational amplifier. A valid high disables the op amp. A valid high is defined as $(V+) - 0.35 V$ of the positive supply applied to the shutdown pin. A valid low is defined as $(V+) - 3 V$ below the positive supply pin. For example, with V_{CC} at $\pm 15 V$, the device is enabled at or below 12 V. The device is disabled at or above 14.65 V. If dual or split power supplies are used, care should be taken to ensure the valid high or valid low input signals are properly referred to the positive supply voltage. This pin must be connected to a valid high or low voltage or driven, and not left open-circuit. The enable and disable times are provided in the Typical Characteristics section (see Figure 40 through Figure 42). When disabled, the output assumes a high-impedance state.

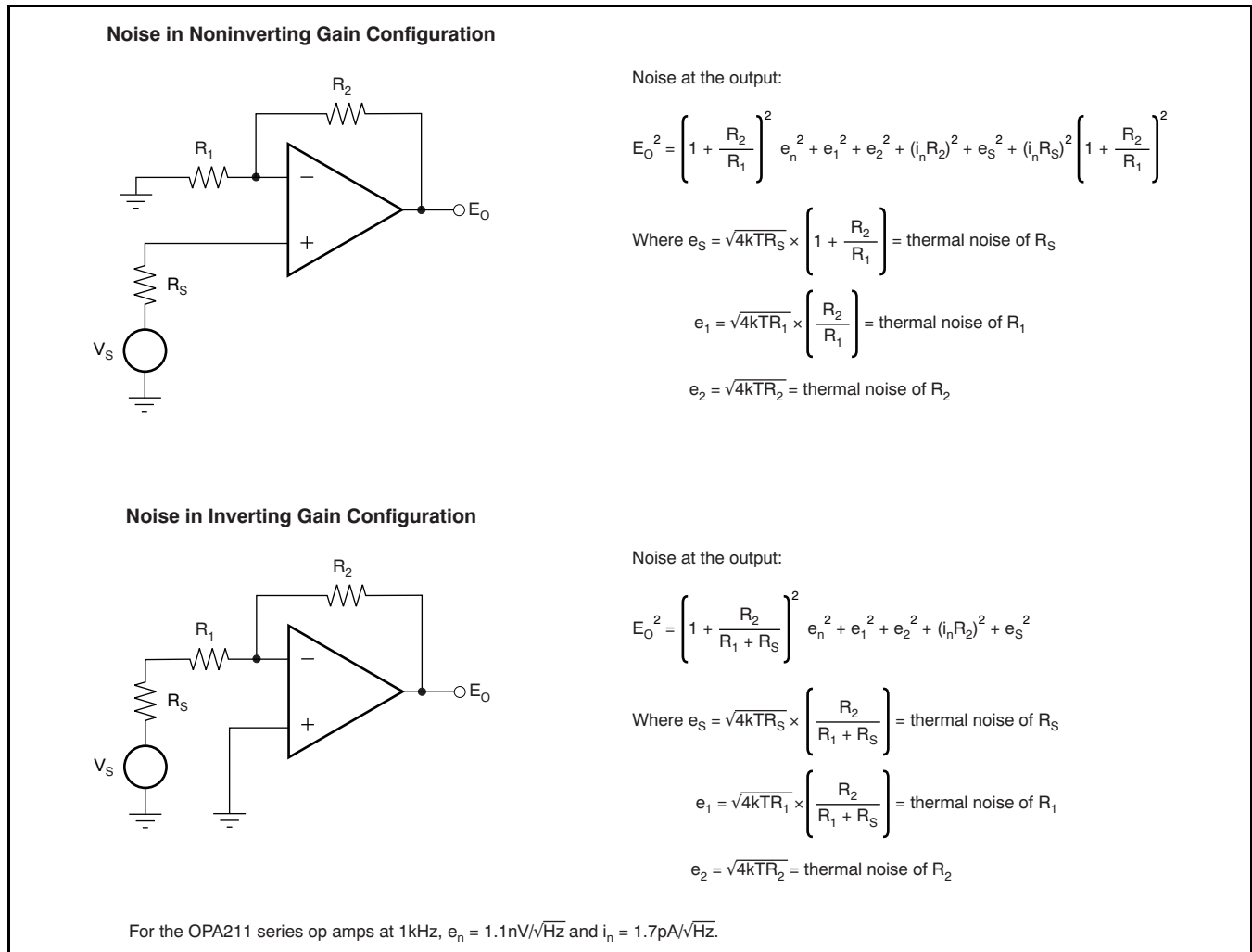


Figure 46. Noise Calculation in Gain Configurations

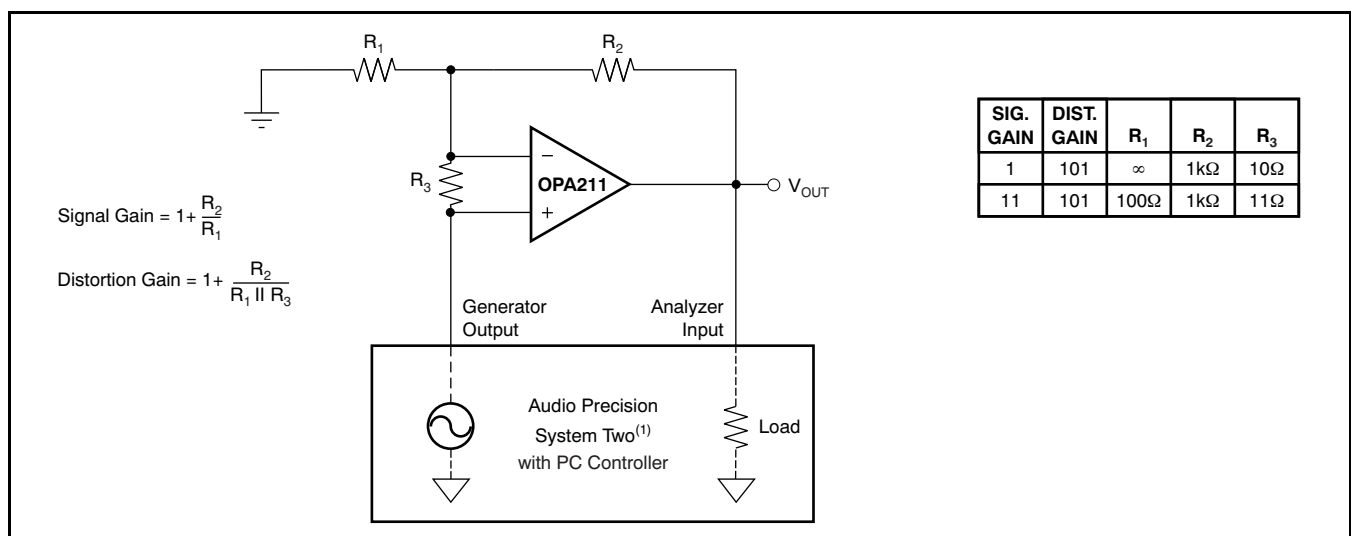


Figure 47. Distortion Test Circuit

ELECTRICAL OVERSTRESS

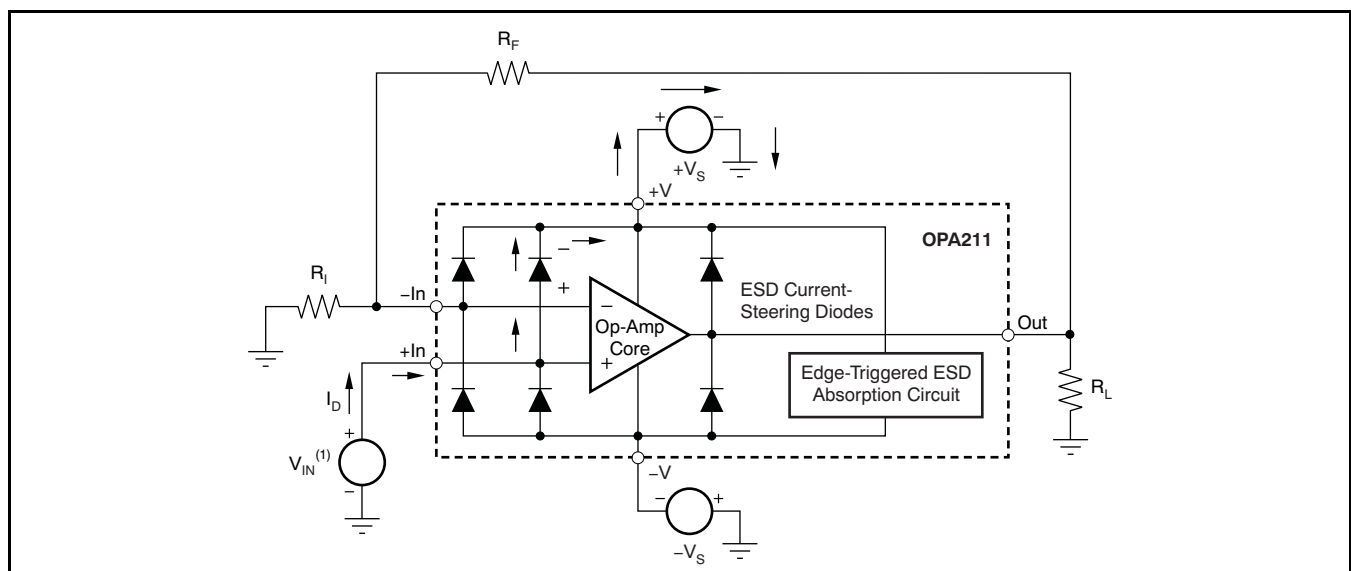
Designers often ask questions about the capability of an operational amplifier to withstand electrical overstress. These questions tend to focus on the device inputs, but may involve the supply voltage pins or even the output pin. Each of these different pin functions have electrical stress limits determined by the voltage breakdown characteristics of the particular semiconductor fabrication process and specific circuits connected to the pin. Additionally, internal electrostatic discharge (ESD) protection is built into these circuits to protect them from accidental ESD events both before and during product assembly.

It is helpful to have a good understanding of this basic ESD circuitry and its relevance to an electrical overstress event. [Figure 48](#) illustrates the ESD circuits contained in the OPA211 (indicated by the dashed line area). The ESD protection circuitry involves several current-steering diodes connected from the input and output pins and routed back to the internal power-supply lines, where they meet at an absorption device internal to the operational amplifier. This protection circuitry is intended to remain inactive during normal circuit operation.

An ESD event produces a short duration, high-voltage pulse that is transformed into a short duration, high-current pulse as it discharges through a semiconductor device. The ESD protection circuits are designed to provide a current path around the operational amplifier core to prevent it from being damaged. The energy absorbed by the protection circuitry is then dissipated as heat.

When an ESD voltage develops across two or more of the amplifier device pins, current flows through one or more of the steering diodes. Depending on the path that the current takes, the absorption device may activate. The absorption device has a trigger, or threshold voltage, that is above the normal operating voltage of the OPA211 but below the device breakdown voltage level. Once this threshold is exceeded, the absorption device quickly activates and clamps the voltage across the supply rails to a safe level.

When the operational amplifier connects into a circuit such as that illustrated in [Figure 48](#), the ESD protection components are intended to remain inactive and not become involved in the application circuit operation. However, circumstances may arise where an applied voltage exceeds the operating voltage range of a given pin. Should this condition occur, there is a risk that some of the internal ESD protection circuits may be biased on, and conduct current. Any such current flow occurs through steering diode paths and rarely involves the absorption device.



(1) $V_{IN} = +V_S + 500\text{mV}$.

Figure 48. Equivalent Internal ESD Circuitry and Its Relation to a Typical Circuit Application

Figure 48 depicts a specific example where the input voltage, V_{IN} , exceeds the positive supply voltage ($+V_S$) by 500 mV or more. Much of what happens in the circuit depends on the supply characteristics. If V_S can sink the current, one of the upper input steering diodes conducts and directs current to V_S . Excessively high current levels can flow with increasingly higher V_{IN} . As a result, the datasheet specifications recommend that applications limit the input current to 10 mA.

If the supply is not capable of sinking the current, V_{IN} may begin sourcing current to the operational amplifier, and then take over as the source of positive supply voltage. The danger in this case is that the voltage can rise to levels that exceed the operational amplifier absolute maximum ratings. In extreme but rare cases, the absorption device triggers on while V_S and $-V_S$ are applied. If this event happens, a direct current path is established between the V_S and $-V_S$ supplies. The power dissipation of the absorption device is quickly exceeded, and the extreme internal heating destroys the operational amplifier.

Another common question involves what happens to the amplifier if an input signal is applied to the input while the power supplies V_S and/or $-V_S$ are at 0 V. Again, it depends on the supply characteristic while at 0 V, or at a level below the input signal amplitude. If the supplies appear as high impedance, then the operational amplifier supply current may be supplied by the input source via the current steering diodes. This state is not a normal bias condition; the amplifier most likely will not operate normally. If the supplies are low impedance, then the current through the steering diodes can become quite high. The current level depends on the ability of the input source to deliver current, and any resistance in the input path.

DFN PACKAGE

The OPA211 is offered in an DFN-8 package (also known as SON). The DFN package is a QFN package with lead contacts on only two sides of the bottom of the package. This leadless package maximizes board space and enhances thermal and electrical characteristics through an exposed pad.

DFN packages are physically small, and have a smaller routing area, improved thermal performance, and improved electrical parasitics. Additionally, the absence of external leads eliminates bent-lead issues.

The DFN package can be easily mounted using standard printed circuit board (PCB) assembly techniques. See Application Note *QFN/SON PCB Attachment (SLUA271)* and Application Report *Quad Flatpack No-Lead Logic Packages (SCBA017)*, both available for download at www.ti.com.

The exposed leadframe die pad on the bottom of the package must be connected to V-. Soldering the thermal pad improves heat dissipation and enables specified device performance.

DFN LAYOUT GUIDELINES

The exposed leadframe die pad on the DFN package should be soldered to a thermal pad on the PCB. A mechanical drawing showing an example layout is attached at the end of this data sheet. Refinements to this layout may be necessary based on assembly process requirements. Mechanical drawings located at the end of this data sheet list the physical dimensions for the package and pad. The five holes in the landing pattern are optional, and are intended for use with thermal vias that connect the leadframe die pad to the heatsink area on the PCB.

Soldering the exposed pad significantly improves board-level reliability during temperature cycling, key push, package shear, and similar board-level tests. Even with applications that have low-power dissipation, the exposed pad must be soldered to the PCB to provide structural integrity and long-term reliability.

PACKAGING INFORMATION

Orderable Device	Status (1)	Package Type	Package Drawing	Pins	Package Qty	Eco Plan (2)	Lead/Ball Finish (6)	MSL Peak Temp (3)	Op Temp (°C)	Device Marking (4/5)	Samples
OPA211SHKJ	ACTIVE	CFP	HKJ	8	1	TBD	Call TI	N / A for Pkg Type	-55 to 210	OPA211S HKJ	Samples
OPA211SHKQ	ACTIVE	CFP	HKQ	8	1	TBD	AU	N / A for Pkg Type	-55 to 210	OPA211S HKQ	Samples
OPA211SKGD1	ACTIVE	XCEPT	KGD	0	400	Green (RoHS & no Sb/Br)	Call TI	N / A for Pkg Type	-55 to 210		Samples

(1) The marketing status values are defined as follows:

ACTIVE: Product device recommended for new designs.

LIFEBUY: TI has announced that the device will be discontinued, and a lifetime-buy period is in effect.

NRND: Not recommended for new designs. Device is in production to support existing customers, but TI does not recommend using this part in a new design.

PREVIEW: Device has been announced but is not in production. Samples may or may not be available.

OBSOLETE: TI has discontinued the production of the device.

(2) **RoHS:** TI defines "RoHS" to mean semiconductor products that are compliant with the current EU RoHS requirements for all 10 RoHS substances, including the requirement that RoHS substance do not exceed 0.1% by weight in homogeneous materials. Where designed to be soldered at high temperatures, "RoHS" products are suitable for use in specified lead-free processes. TI may reference these types of products as "Pb-Free".

RoHS Exempt: TI defines "RoHS Exempt" to mean products that contain lead but are compliant with EU RoHS pursuant to a specific EU RoHS exemption.

Green: TI defines "Green" to mean the content of Chlorine (Cl) and Bromine (Br) based flame retardants meet JS709B low halogen requirements of <=1000ppm threshold. Antimony trioxide based flame retardants must also meet the <=1000ppm threshold requirement.

(3) MSL, Peak Temp. - The Moisture Sensitivity Level rating according to the JEDEC industry standard classifications, and peak solder temperature.

(4) There may be additional marking, which relates to the logo, the lot trace code information, or the environmental category on the device.

(5) Multiple Device Markings will be inside parentheses. Only one Device Marking contained in parentheses and separated by a "-" will appear on a device. If a line is indented then it is a continuation of the previous line and the two combined represent the entire Device Marking for that device.

(6) Lead/Ball Finish - Orderable Devices may have multiple material finish options. Finish options are separated by a vertical ruled line. Lead/Ball Finish values may wrap to two lines if the finish value exceeds the maximum column width.

Important Information and Disclaimer: The information provided on this page represents TI's knowledge and belief as of the date that it is provided. TI bases its knowledge and belief on information provided by third parties, and makes no representation or warranty as to the accuracy of such information. Efforts are underway to better integrate information from third parties. TI has taken and continues to take reasonable steps to provide representative and accurate information but may not have conducted destructive testing or chemical analysis on incoming materials and chemicals. TI and TI suppliers consider certain information to be proprietary, and thus CAS numbers and other limited information may not be available for release.

In no event shall TI's liability arising out of such information exceed the total purchase price of the TI part(s) at issue in this document sold by TI to Customer on an annual basis.

OTHER QUALIFIED VERSIONS OF OPA211-HT :

- Catalog: [OPA211](#)
- Enhanced Product: [OPA211-EP](#)

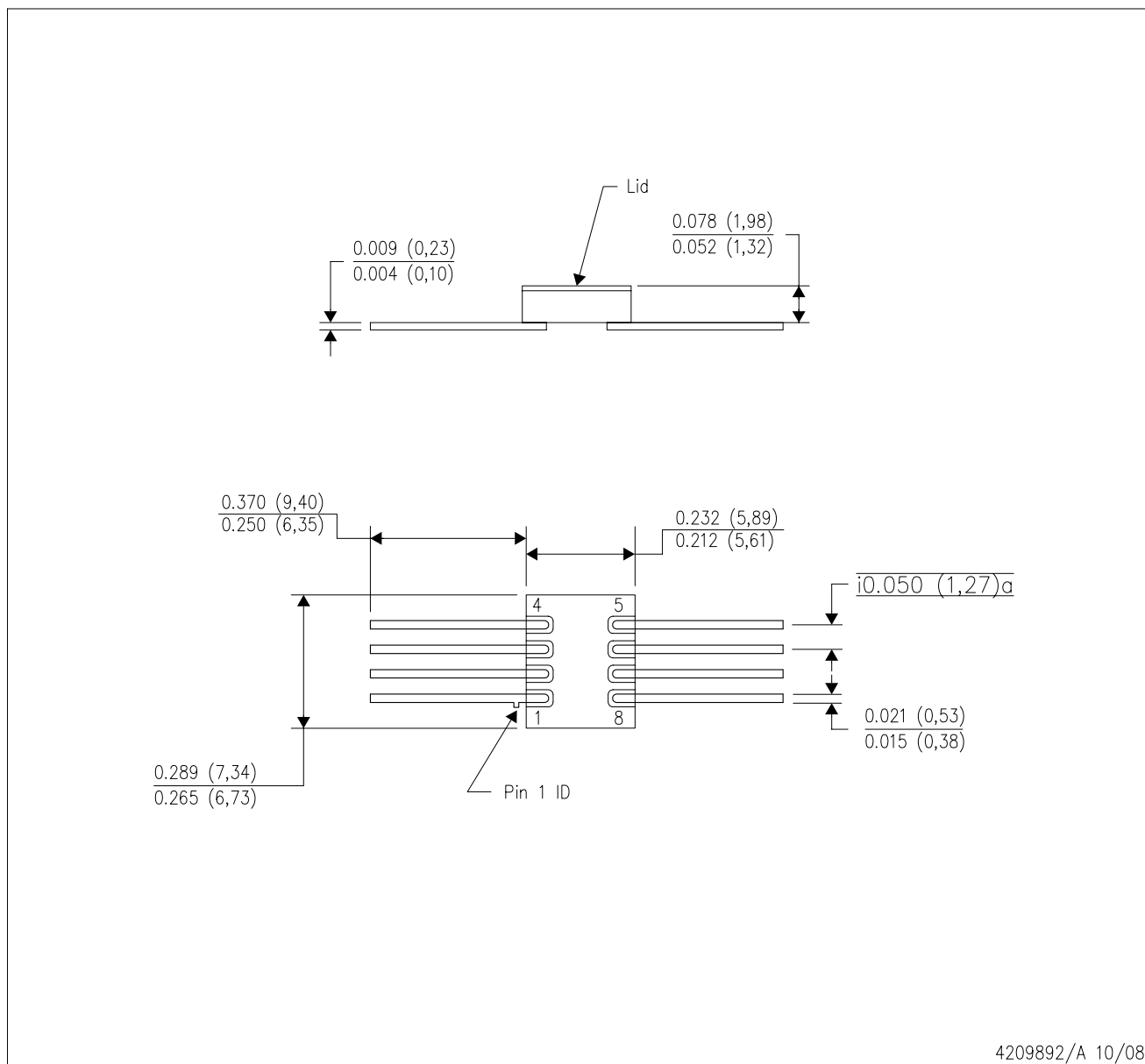
NOTE: Qualified Version Definitions:

- Catalog - TI's standard catalog product
- Enhanced Product - Supports Defense, Aerospace and Medical Applications

MECHANICAL DATA

HKJ (R-CDFP-F8)

CERAMIC DUAL FLATPACK

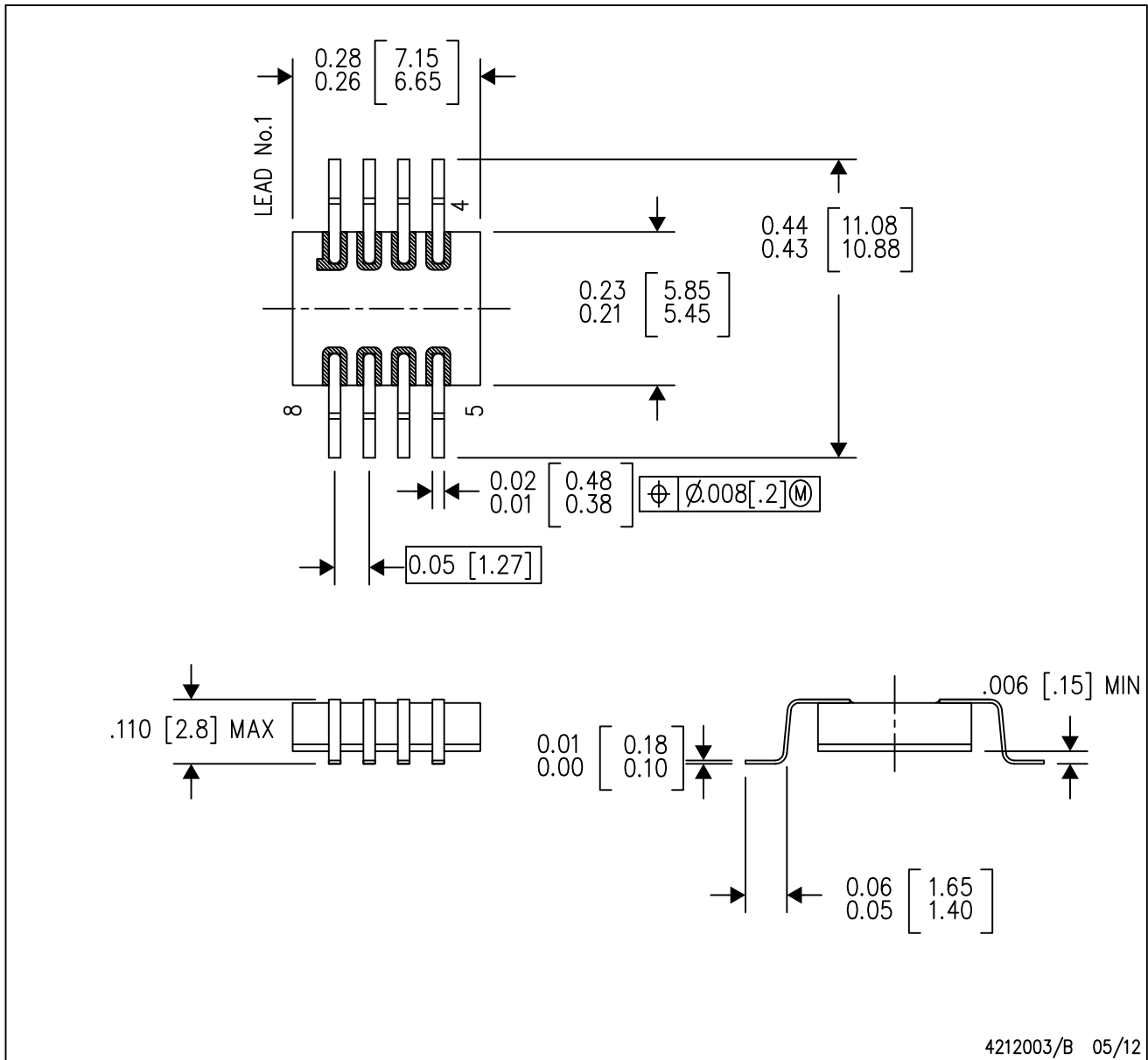


- NOTES:
- A. All linear dimensions are in inches (millimeters).
 - B. This drawing is subject to change without notice.
 - C. This package can be hermetically sealed with a metal lid.
 - D. The terminals will be gold plated.

MECHANICAL DATA

HKQ (R-CDFP-G8)

CERAMIC GULL WING



- NOTES:
- All linear dimensions are in inches (millimeters).
 - This drawing is subject to change without notice.
 - This package can be hermetically sealed with a metal lid.
 - The terminals will be gold plated.
 - Lid is not connected to any lead.

IMPORTANT NOTICE AND DISCLAIMER

TI PROVIDES TECHNICAL AND RELIABILITY DATA (INCLUDING DATASHEETS), DESIGN RESOURCES (INCLUDING REFERENCE DESIGNS), APPLICATION OR OTHER DESIGN ADVICE, WEB TOOLS, SAFETY INFORMATION, AND OTHER RESOURCES "AS IS" AND WITH ALL FAULTS, AND DISCLAIMS ALL WARRANTIES, EXPRESS AND IMPLIED, INCLUDING WITHOUT LIMITATION ANY IMPLIED WARRANTIES OF MERCHANTABILITY, FITNESS FOR A PARTICULAR PURPOSE OR NON-INFRINGEMENT OF THIRD PARTY INTELLECTUAL PROPERTY RIGHTS.

These resources are intended for skilled developers designing with TI products. You are solely responsible for (1) selecting the appropriate TI products for your application, (2) designing, validating and testing your application, and (3) ensuring your application meets applicable standards, and any other safety, security, or other requirements. These resources are subject to change without notice. TI grants you permission to use these resources only for development of an application that uses the TI products described in the resource. Other reproduction and display of these resources is prohibited. No license is granted to any other TI intellectual property right or to any third party intellectual property right. TI disclaims responsibility for, and you will fully indemnify TI and its representatives against, any claims, damages, costs, losses, and liabilities arising out of your use of these resources.

TI's products are provided subject to TI's Terms of Sale (www.ti.com/legal/termsofsale.html) or other applicable terms available either on ti.com or provided in conjunction with such TI products. TI's provision of these resources does not expand or otherwise alter TI's applicable warranties or warranty disclaimers for TI products.

Mailing Address: Texas Instruments, Post Office Box 655303, Dallas, Texas 75265
Copyright © 2019, Texas Instruments Incorporated