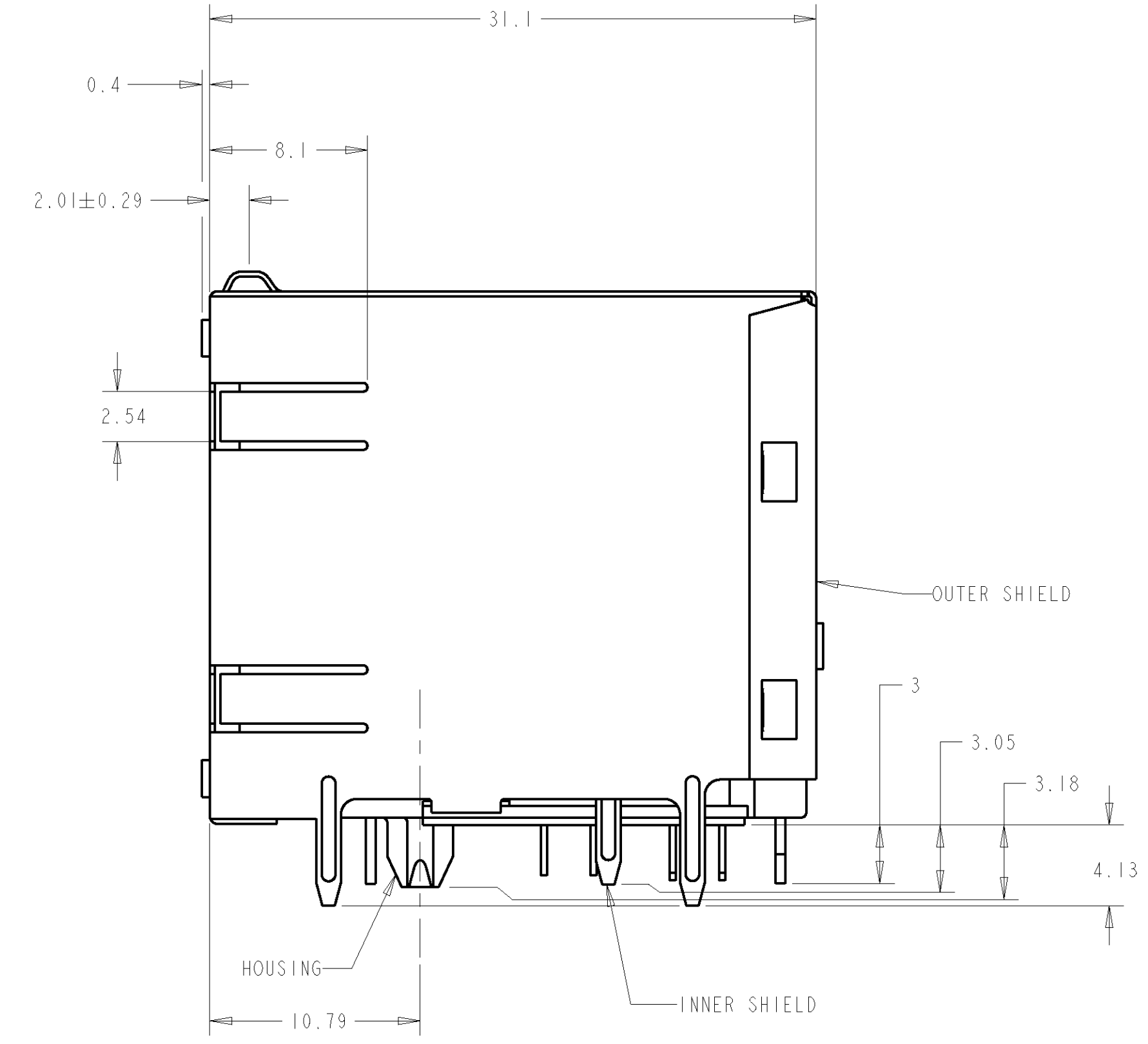
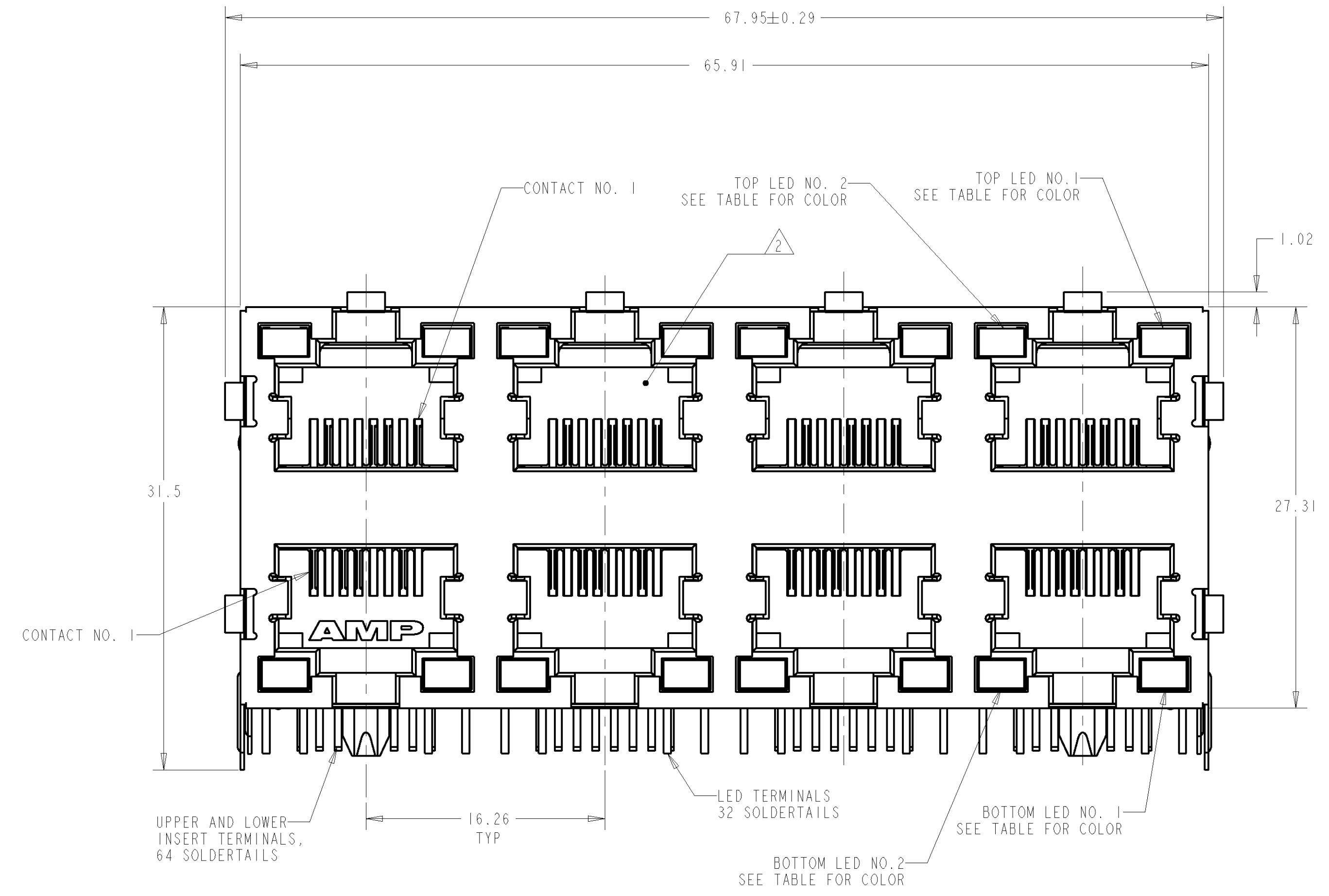
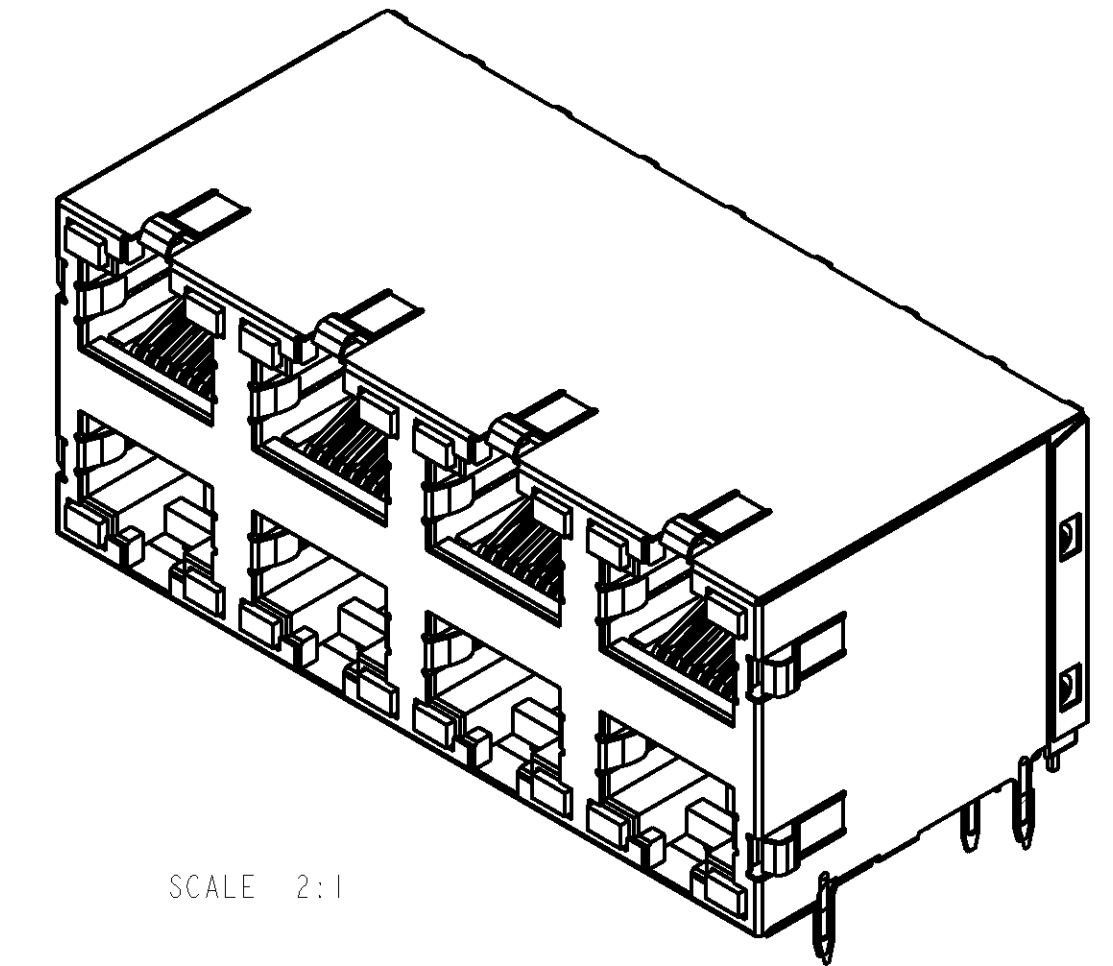
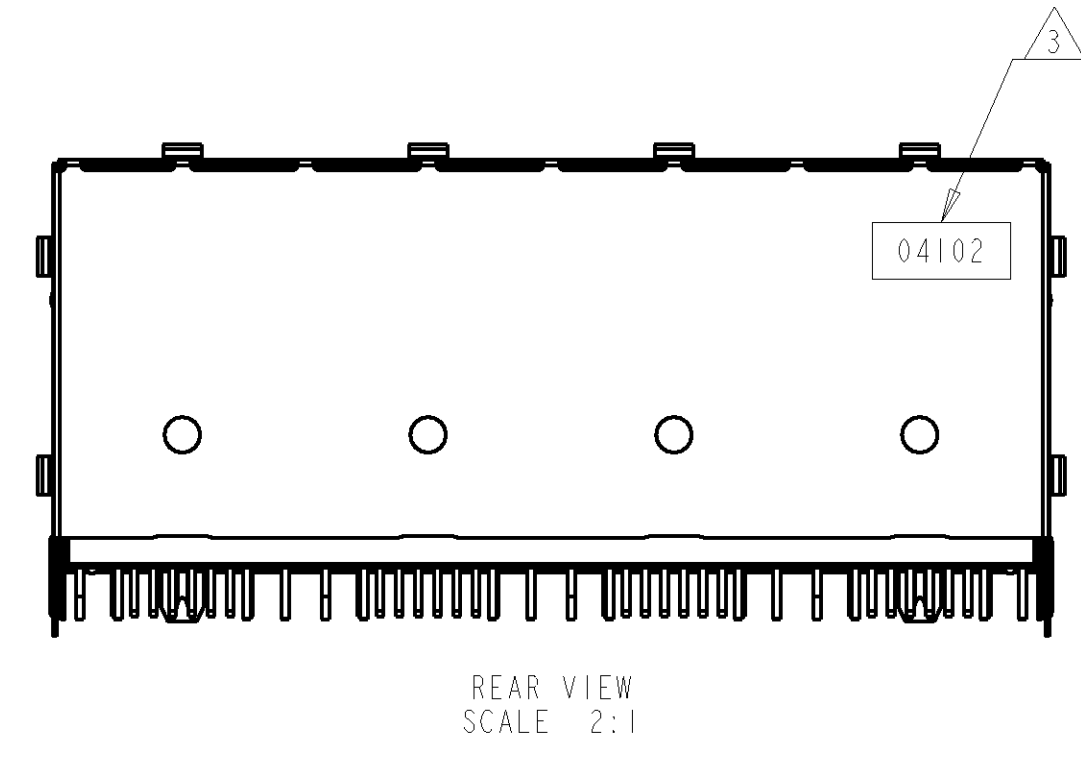
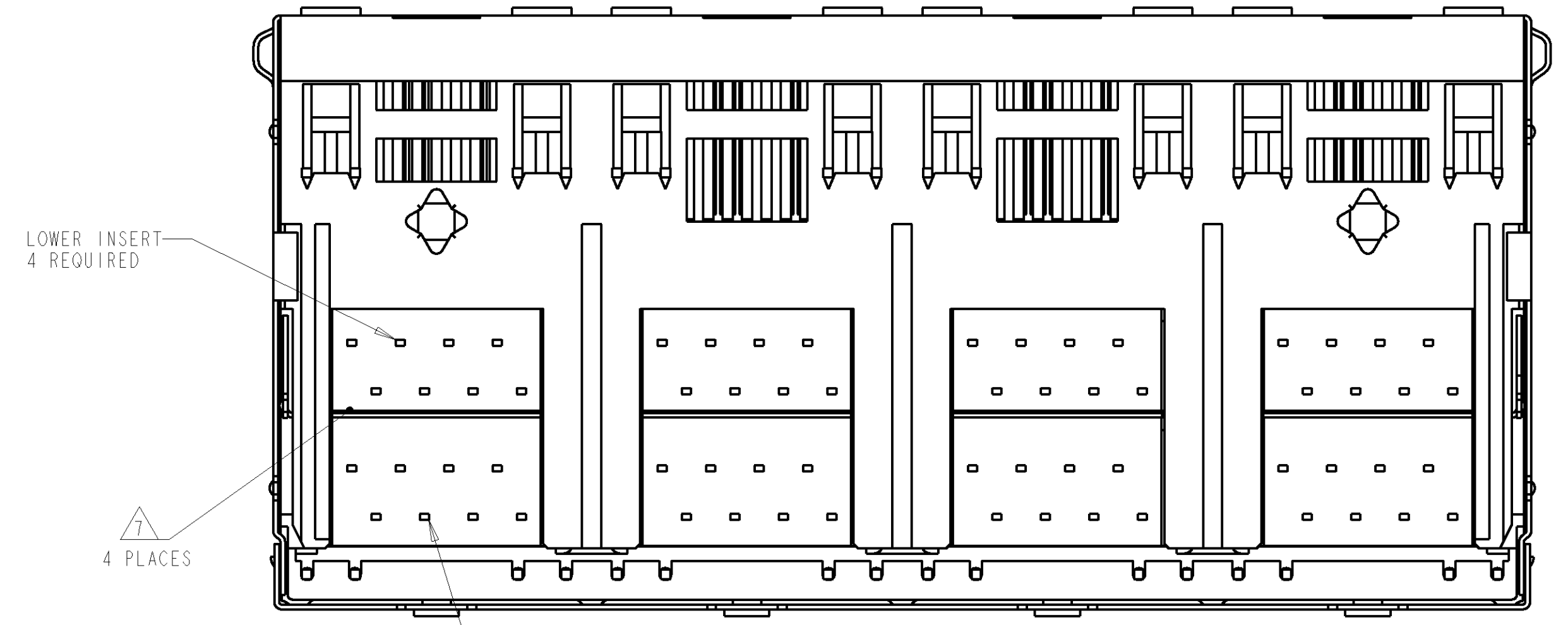


LOC	DIST	REVISIONS				
AA	00	REV	DESCRIPTION	DATE	DWN	APVD
		A	REVISED PER EC 0511-0201-04	23JUN2005	LV	SF
		B	ECO-07-007817	18APR2007	LAM	JW
		C	ECO-07-025050	26OCT2007	LAM	JW
		D	ECR-08-017313	10JUL2008	A. I.	S. Y.
		D1	REVISED PER ECO-10-000445	11JAN10	KK	AEG



- HOUSING: PBT POLYESTER, BLACK, UL 94V-0.  
 TERMINALS: 0.3175 THICK PHOS BRONZE PLATED WITH 1.27µm MINIMUM THICK HARD GOLD IN LOCALIZED AREA AND 3.81µm MINIMUM THICK MATTE TIN IN SOLDER AREA OVER 1.27µm MINIMUM THICK NICKEL UNDERPLATE.  
 INNER SHIELD: 0.25 THICK COPPER ALLOY PLATED WITH 2.03µm MINIMUM BRIGHT TIN OVER 1.27µm MINIMUM NICKEL.  
 OUTER SHIELD: 0.25 THICK COPPER ALLOY PLATED WITH 2.03µm MINIMUM HOT TIN DIPPED PCB GROUND TABS OVER 1.27µm MINIMUM NICKEL.  
 LIGHT EMITTING DIODE (LED): DIFFUSED EPOXY LENS, 0.50 X 0.50 CARBON STEEL WIREFRAME LEADS PLATED WITH 8.89µm TIN/COPPER OVER 2.03µm SILVER OVER 1.02µm COPPER OVER 3.56µm NICKEL OVER 1.02µm COPPER UNDERPLATE.
- JACK CAVITY CONFORMS TO FCC RULES AND REGULATIONS, PART 68 SUBPART F.
- DATE CODE LOCATED ON REAR OF PART APPROX AS SHOWN: FIRST 2 DIGITS ARE LAST 2 DIGITS OF YEAR, SECOND 2 DIGITS ARE MANUFACTURING WORK WEEK, LAST DIGIT IS DAY OF WEEK, WITH SUNDAY=1.
- SUGGESTED OPERATING CURRENT FOR THE LED IS 20mA
- THIS MODULAR JACK WITH INTEGRATED LED IS NOT IR REFLOW SOLDERING PROCESS COMPATIBLE.
- PRODUCT MEETS IEEE 802.3 SECTION 14.3.1.1 ISOLATION REQUIREMENT.
  - A) 1500 V RMS AT 50 HZ TO 60 HZ FOR 60 S, APPLIED AS SPECIFIED IN SECTION 5.3.2 OF IEC 60950:1991.
  - B) 2250 VDC FOR 60 S, APPLIED AS SPECIFIED IN SECTION 5.3.2 OF IEC 60950:1991.
- INSULATOR TAPE (.425" X .425") APPLIED BETWEEN LOWER INSERT AND INNER SHIELD.
- OBSOLETE PARTS: OBSOLETE CIS STREAMLINING PER D.RENAUD/D.SINISI

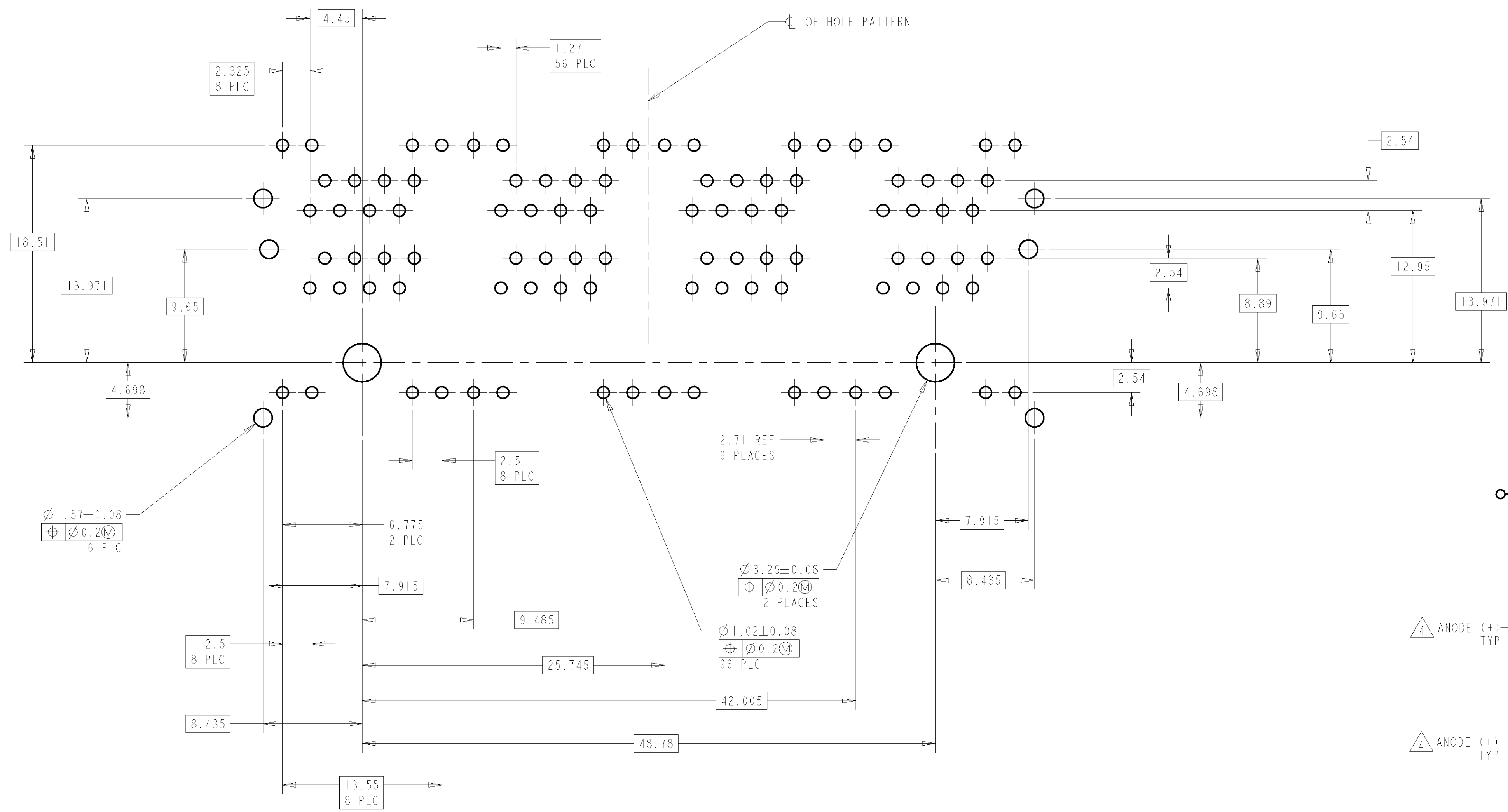


GREEN/YELLOW	GREEN/YELLOW	GREEN/YELLOW	GREEN/YELLOW	6339082-7
GREEN/YELLOW	GREEN	GREEN/YELLOW	GREEN	6339082-6
GREEN/ORANGE	GREEN/ORANGE	GREEN/ORANGE	GREEN/ORANGE	6339082-4
GREEN	YELLOW	GREEN	YELLOW	6339082-3
YELLOW	GREEN	GREEN	YELLOW	6339082-2
GREEN	GREEN	GREEN	GREEN	6339082-1
BOTTOM LED NO. 2	BOTTOM LED NO. 1	TOP LED NO. 2	TOP LED NO. 1	PART NUMBER

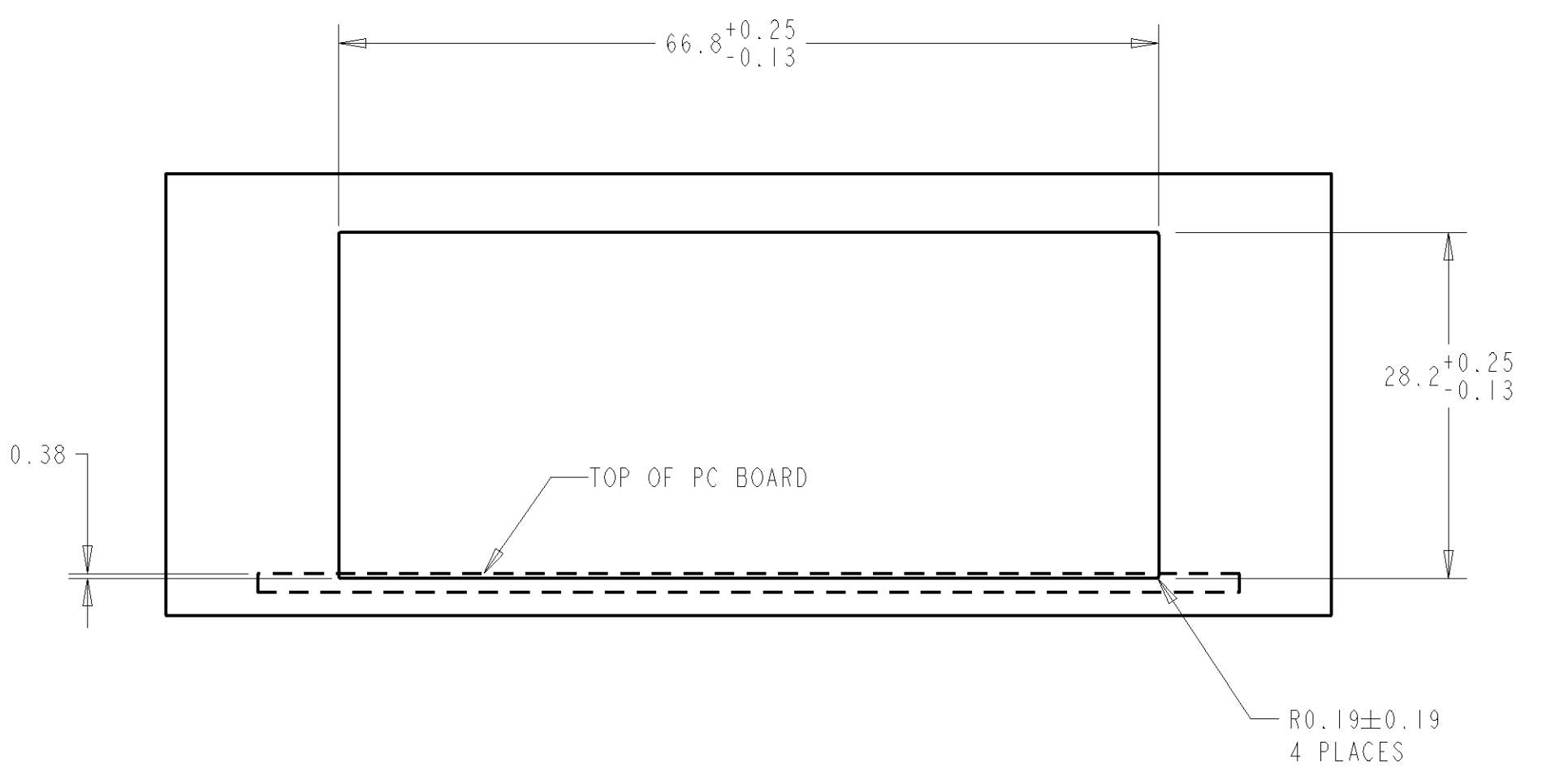
**OBsolete**

DIMENSIONS: mm 0 PLC ±0.25 1 PLC ±0.25 2 PLC ±0.25 3 PLC ±0.25 4 PLC ±0.25 ANGLES ±0.25		TOLERANCES UNLESS OTHERWISE SPECIFIED: DIMENSIONS: mm 0 PLC ±0.25 1 PLC ±0.25 2 PLC ±0.25 3 PLC ±0.25 4 PLC ±0.25 ANGLES ±0.25		DWN: VARELA - 23JUN2005 CHK: J. WESTMAN APVD: S. FLICKINGER		Tyco Electronics Corporation Harrisburg, PA 17105-3608	
MATERIAL: SEE NOTE 1 FINISH: SEE NOTE 1		PRODUCT SPEC: 108-1163-2 APPLICATION SPEC: 114-2154		NAME: ASSEMBLY, STACKED JACK, 2 X 4, 8 POSITION, SHIELDED, PANEL GROUND, LED, CATEGORY 5		SIZE: CAGE CODE DRAWING NO: 00779 WEIGHT: - CUSTOMER DRAWING: SCALE 1:1 SHEET 1 OF 2 REV D1	

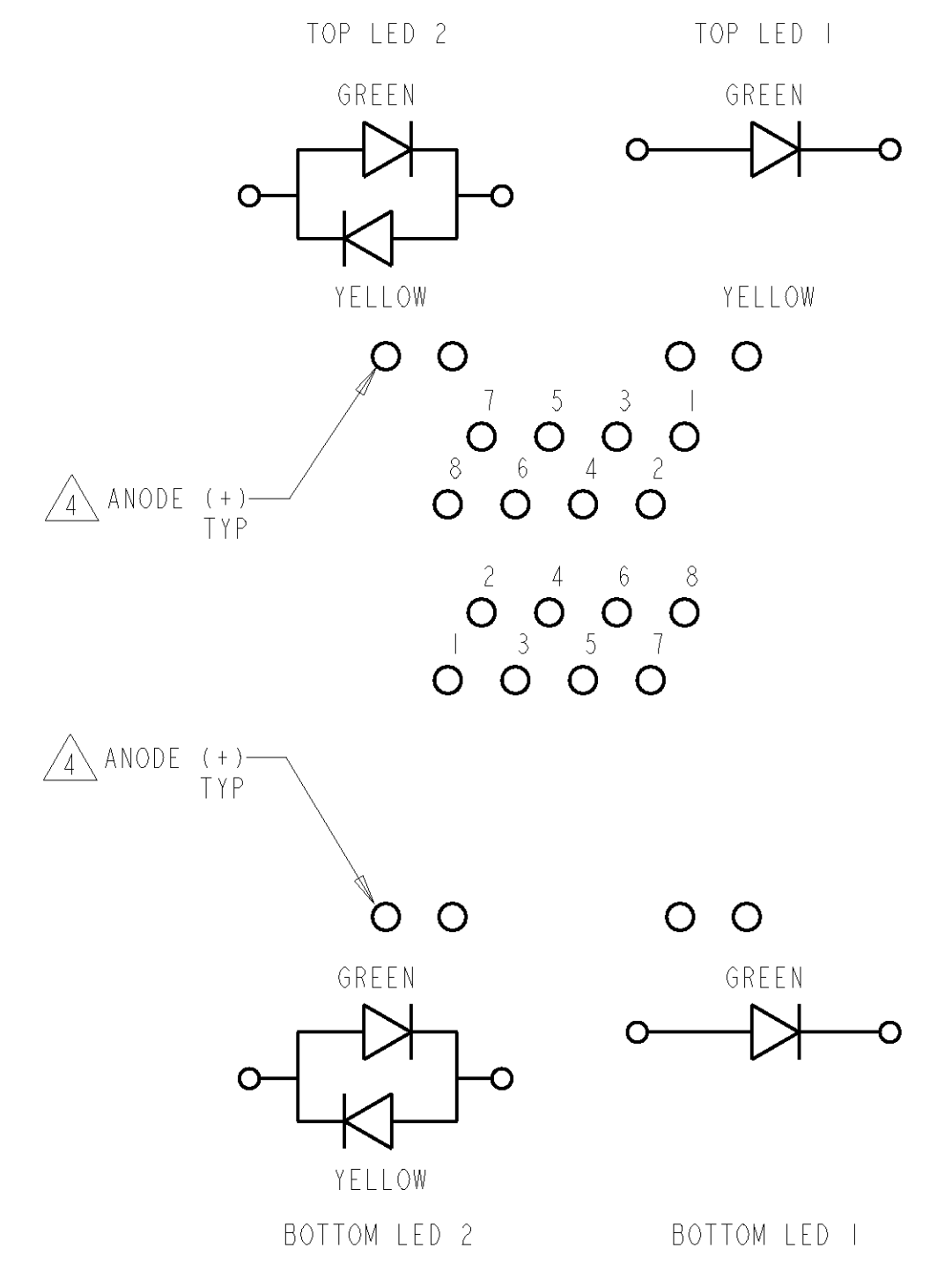
LOC	DIST	REV	DATE	BY	APPD
AA	00				



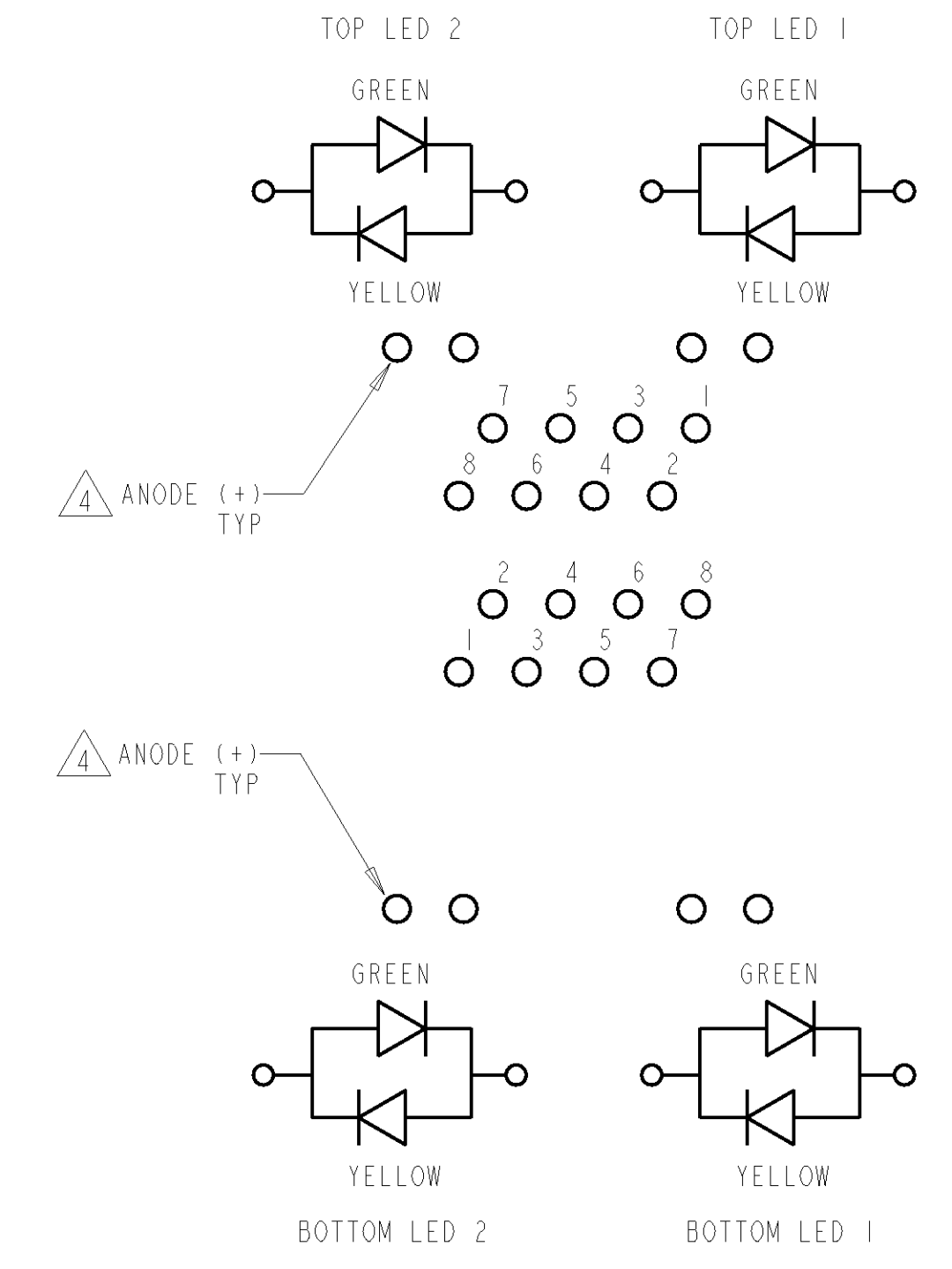
**PC BOARD LAYOUT VIEWED FROM COMPONENT SIDE OF BOARD**  
 SCALE 4:1



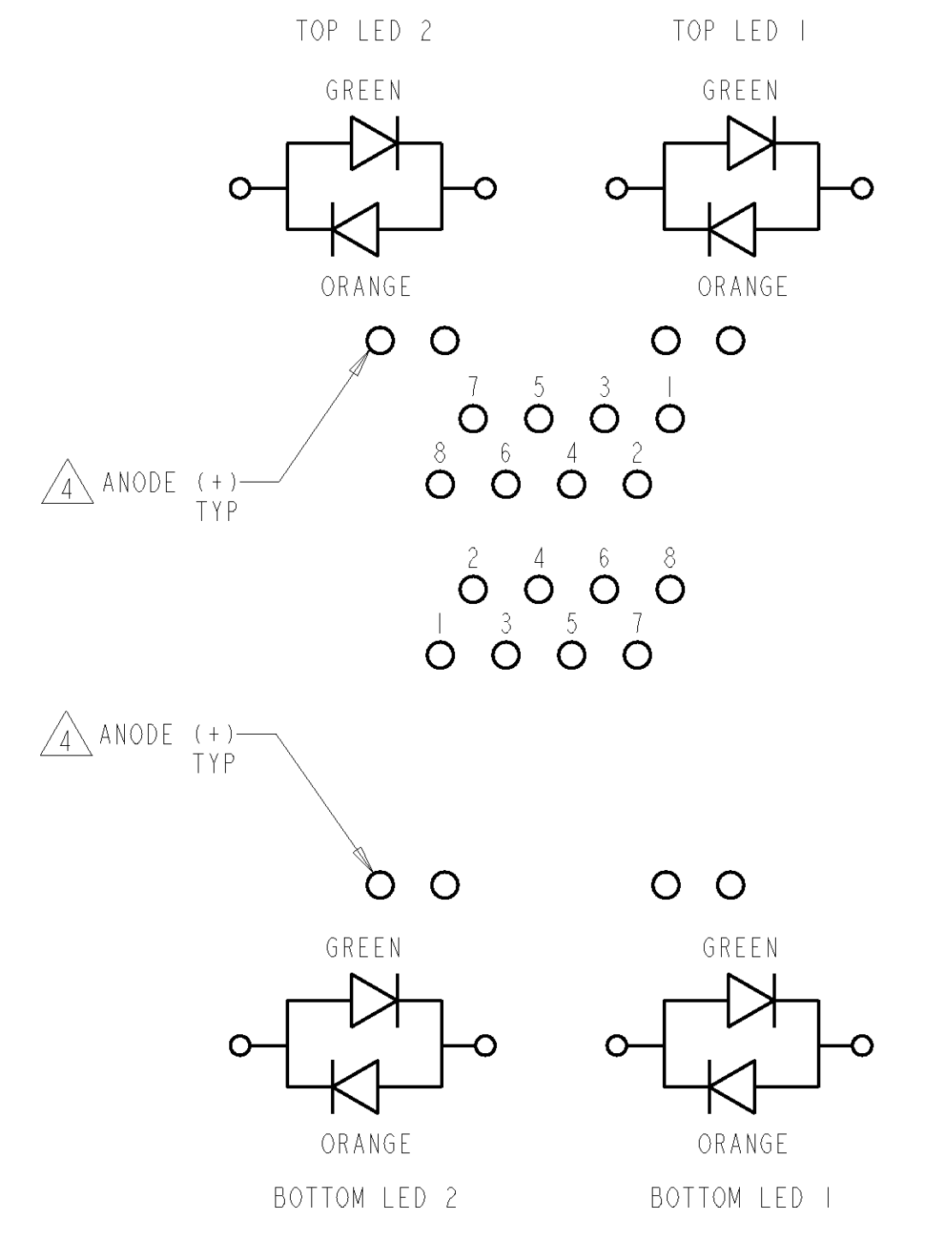
**SUGGESTED PANEL CUTOUT DIMENSIONS**  
 SCALE 12:1



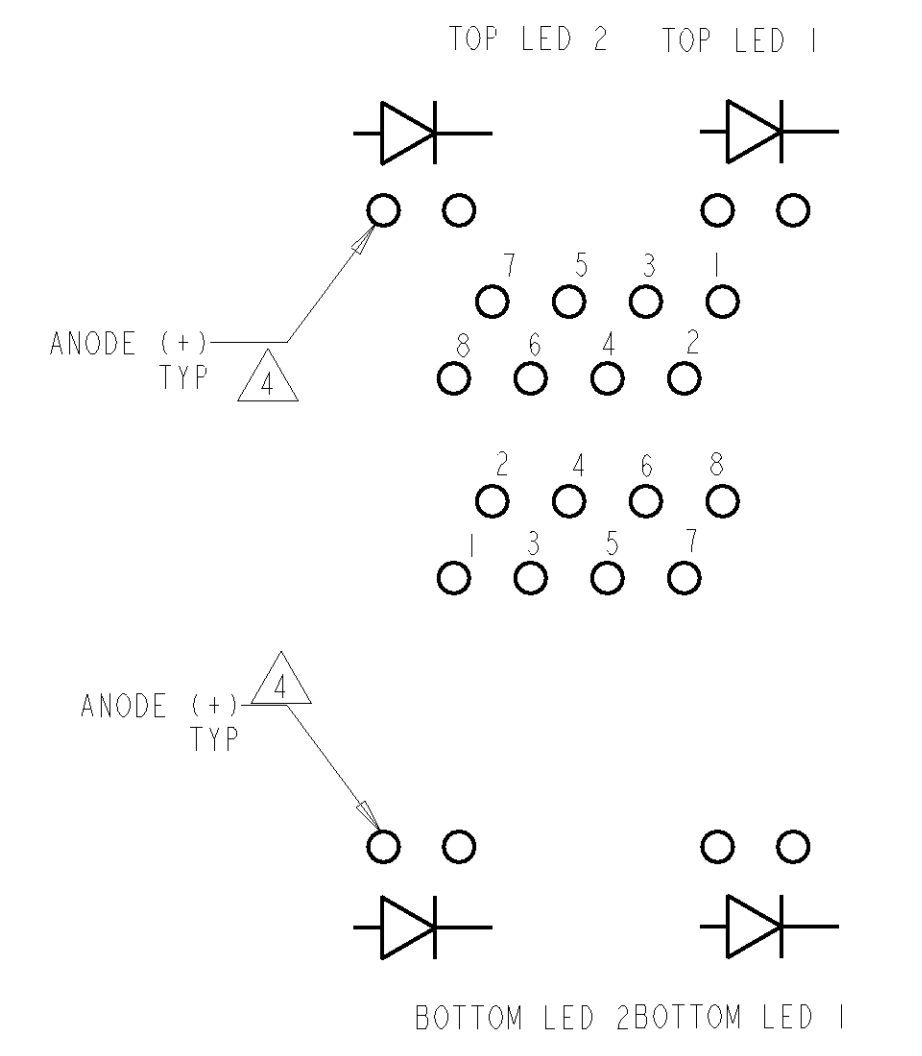
**SCHEMATIC FOR 6339082-6**  
 SCALE 4:1



**SCHEMATIC FOR 6339082-7**  
 SCALE 4:1



**SCHEMATIC FOR 6339082-4**  
 SCALE 4:1



**SCHEMATIC FOR 6339082-1,-2,-3**  
 SCALE 4:1

DIMENSIONS:		TOLERANCES UNLESS OTHERWISE SPECIFIED:		DWN		Tyco Electronics	
mm		0 PLC	±0.25	PL VARELA	23 JUN 2005	Tyco Electronics Corporation Harrisburg, PA 17105-3608	
		1 PLC	±0.25	CHK J. WESTMAN	23 JUN 2005	NAME ASSEMBLY, STACKED JACK, 2 X 4, 8 POSITION, SHIELDED, PANEL GROUND, LED, CATEGORY 5	
		2 PLC	±0.25	APVD S. FLICKINGER	23 JUN 2005	SIZE CAGE CODE DRAWING NO. RESTRICTED TO	
		3 PLC	±0.25			A11 00779 C=6339082	
		4 PLC	±0.25			WEIGHT -	
		ANGLES	±0.25			CUSTOMER DRAWING	
MATERIAL SEE NOTE 1		FINISH SEE NOTE 1		SCALE 1:1		SHEET 2 OF 2 REV D1	

# Mouser Electronics

Authorized Distributor

Click to View Pricing, Inventory, Delivery & Lifecycle Information:

[TE Connectivity:](#)

[6339082-3](#)