
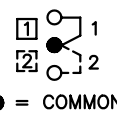
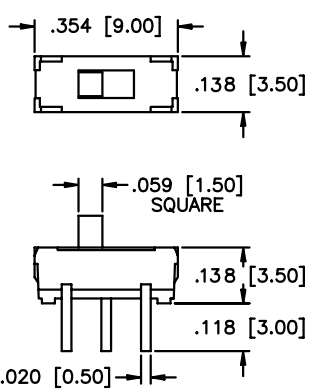
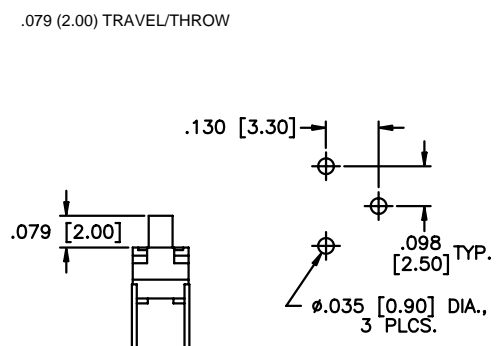

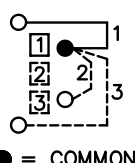
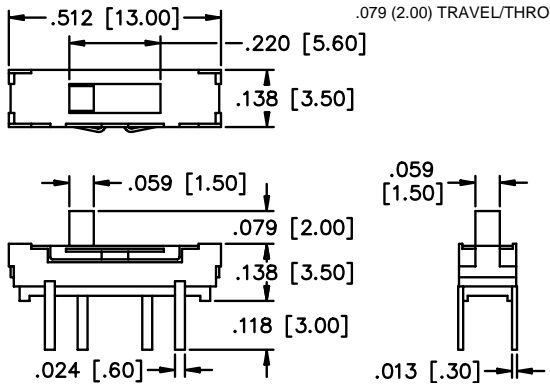
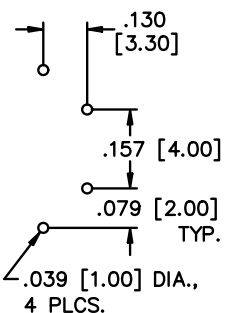

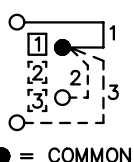
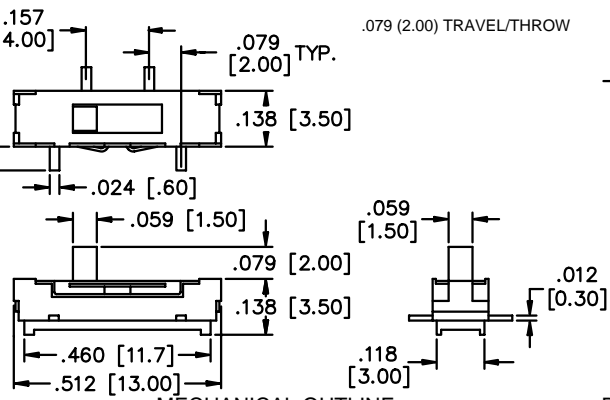
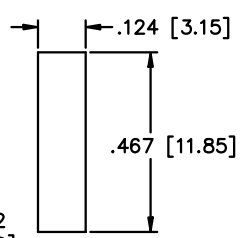


# MS Series

## Microminiature Slide Switches

SPECIFICATIONS	FEATURES
<p><b>Contact rating:</b> 300 mA at 6 VDC</p> <p><b>Initial contact resistance:</b> 70 milliohms max.</p> <p><b>Insulation resistance:</b> 100 megohms max. at 500 VDC</p> <p><b>Dielectric strength:</b> 500 volts RMS at sea level</p> <p><b>Electrical life:</b> 10,000 cycles min.</p> <p><b>Operating temperature range:</b> -10°C to +60°C</p> <p><b>Solder heat resistance:</b> 260°C max. for 3 seconds</p> <p><b>Washing not recommended</b></p>	<ul style="list-style-type: none"> <li>● <b>Low profile.</b></li> <li>● <b>Insert molded terminals.</b></li> <li>● <b>Stainless steel cover.</b></li> </ul>
	MATERIALS
	<p><b>Contacts &amp; terminals:</b> Silver plated</p> <p><b>Cover:</b> Stainless steel</p> <p><b>Actuator:</b> Thermoplastic</p> <p><b>Base:</b> High temperature thermoplastic    <b>Terminal seal:</b> Insert molded</p>


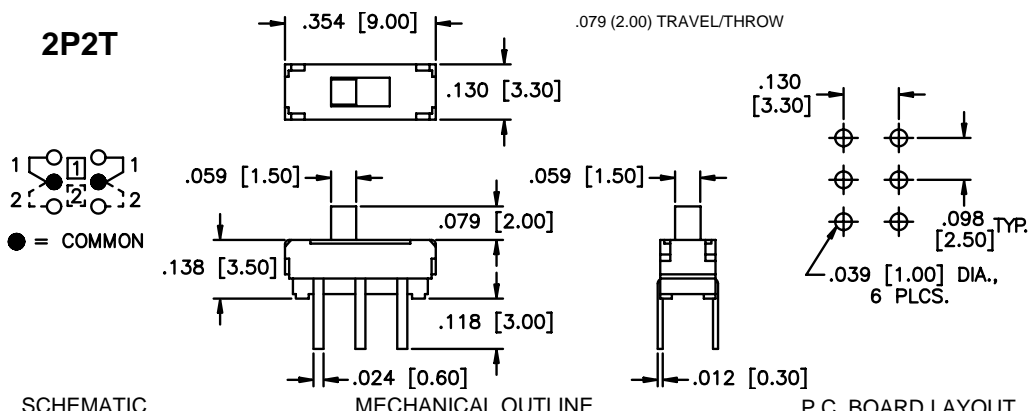
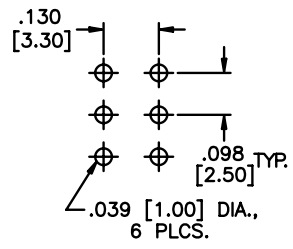
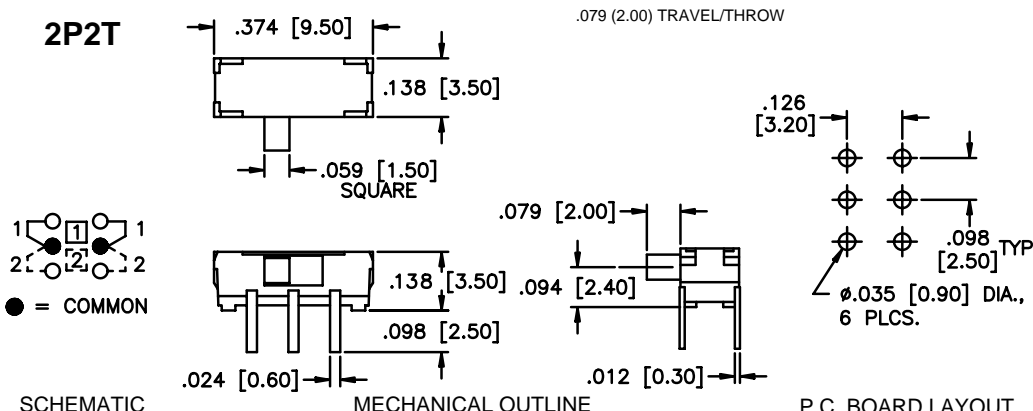

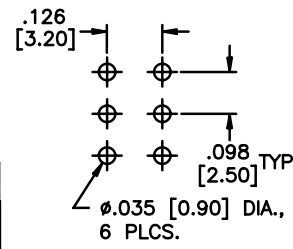

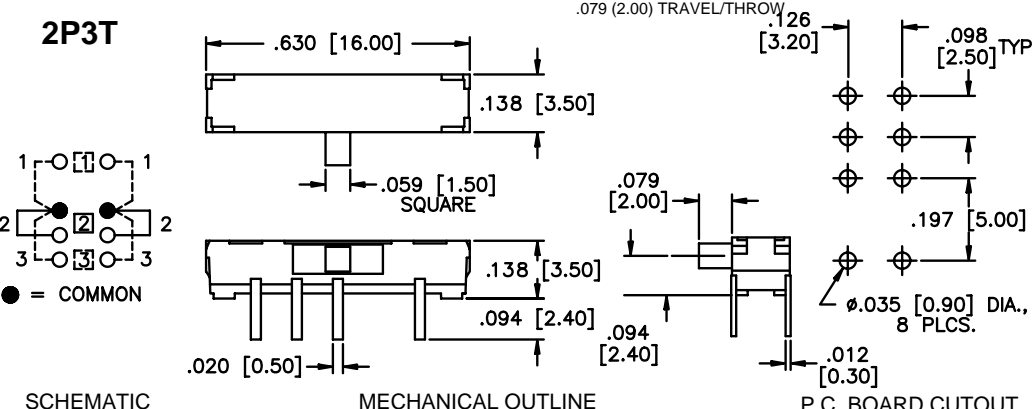
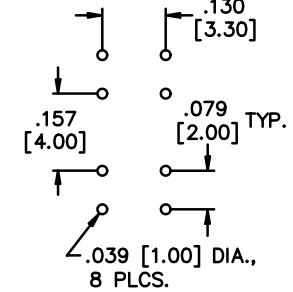
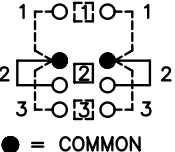
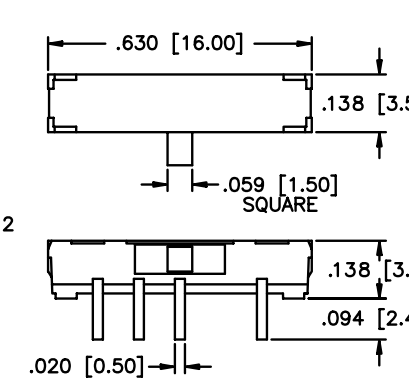
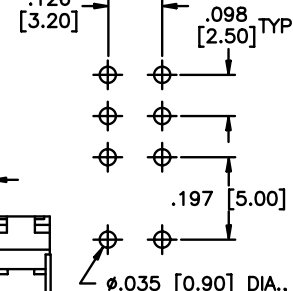
MODEL NO.			
MS12			
	<b>1P2T</b>		
VERTICAL ACTUATOR	 <p>● = COMMON</p>	 <p>MECHANICAL OUTLINE</p>	 <p>P.C. BOARD LAYOUT</p>
MODEL NO.			
MS13			
	<b>1P3T</b>		
VERTICAL ACTUATOR	 <p>● = COMMON</p>	 <p>MECHANICAL OUTLINE</p>	 <p>P.C. BOARD CUTOUT</p>
MODEL NO.			
MS13S			
	<b>1P3T</b>		
VERTICAL ACTUATOR	 <p>● = COMMON</p>	 <p>MECHANICAL OUTLINE</p>	 <p>P.C. BOARD LAYOUT</p>



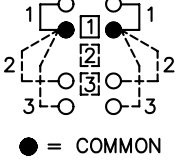
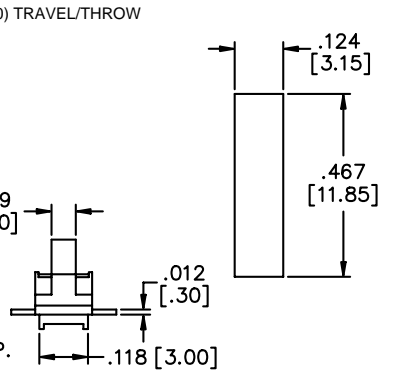
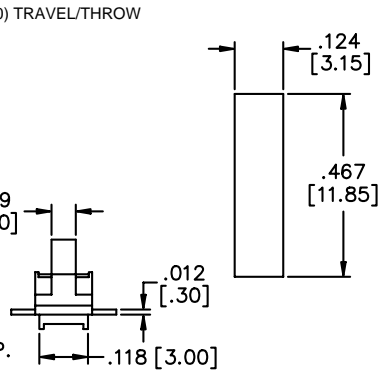
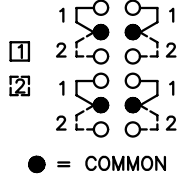

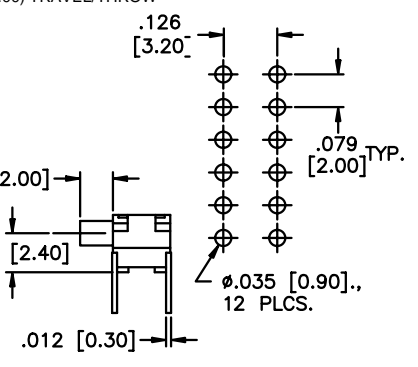
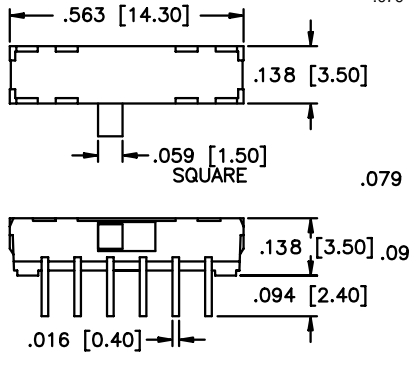
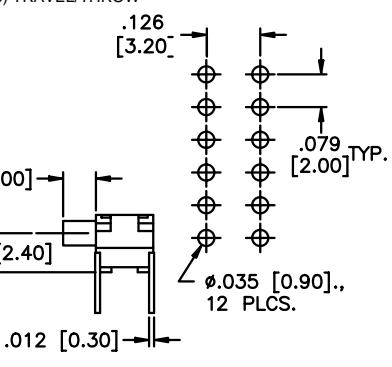
SPECIFICATIONS SUBJECT TO CHANGE WITHOUT NOTICE

# MS Series

## Microminiature Slide Switches

SPECIFICATIONS SUBJECT TO CHANGE WITHOUT NOTICE

<p><b>MODEL NO.</b></p> <p><b>MS22</b></p>	<p><b>2P2T</b></p>  <p>● = COMMON</p>	 <p style="text-align: center;">MECHANICAL OUTLINE</p>	<p style="text-align: center;">.079 (2.00) TRAVEL/THROW</p>  <p style="text-align: center;">P.C. BOARD LAYOUT</p>
<p>VERTICAL ACTUATOR</p>	<p>SCHMATIC</p>	<p>MECHANICAL OUTLINE</p>	<p>P.C. BOARD LAYOUT</p>
<p><b>MODEL NO.</b></p> <p><b>MS22R</b></p>	<p><b>2P2T</b></p>  <p>● = COMMON</p>	 <p style="text-align: center;">MECHANICAL OUTLINE</p>	<p style="text-align: center;">.079 (2.00) TRAVEL/THROW</p>  <p style="text-align: center;">P.C. BOARD LAYOUT</p>
<p>RIGHT ANGLE ACTUATOR</p>	<p>SCHMATIC</p>	<p>MECHANICAL OUTLINE</p>	<p>P.C. BOARD LAYOUT</p>
<p><b>MODEL NO.</b></p> <p><b>MS23</b></p>	<p><b>2P3T</b></p>  <p>● = COMMON</p>	 <p style="text-align: center;">MECHANICAL OUTLINE</p>	<p style="text-align: center;">.079 (2.00) TRAVEL/THROW</p>  <p style="text-align: center;">P.C. BOARD LAYOUT</p>
<p>VERTICAL ACTUATOR</p>	<p>SCHMATIC</p>	<p>MECHANICAL OUTLINE</p>	<p>P.C. BOARD LAYOUT</p>
<p><b>MODEL NO.</b></p> <p><b>MS23R</b></p>	<p><b>2P3T</b></p>  <p>● = COMMON</p>	 <p style="text-align: center;">MECHANICAL OUTLINE</p>	<p style="text-align: center;">.079 (2.00) TRAVEL/THROW</p>  <p style="text-align: center;">P.C. BOARD CUTOUT</p>
<p>RIGHT ANGLE ACTUATOR</p>	<p>SCHMATIC</p>	<p>MECHANICAL OUTLINE</p>	<p>P.C. BOARD CUTOUT</p>

<b>MODEL NO.</b>	<b>2P3T</b>		
<b>MS23S</b>			
 <p>VERTICAL ACTUATOR</p>	 <p>● = COMMON</p>	 <p>MECHANICAL OUTLINE</p>	 <p>P.C. BOARD CUTOUT</p>
<b>MODEL NO.</b>	<b>4P2T</b>		
<b>MS42R</b>			
 <p>RIGHT ANGLE ACTUATOR</p>	 <p>● = COMMON</p>	 <p>MECHANICAL OUTLINE</p>	 <p>P.C. BOARD LAYOUT</p>

SPECIFICATIONS SUBJECT TO CHANGE WITHOUT NOTICE

# Mouser Electronics

Authorized Distributor

Click to View Pricing, Inventory, Delivery & Lifecycle Information:

[Apem:](#)

[MS23R](#) [MS22](#) [MS42R](#) [MS12](#) [MS13](#) [MS22R](#) [MS23](#)