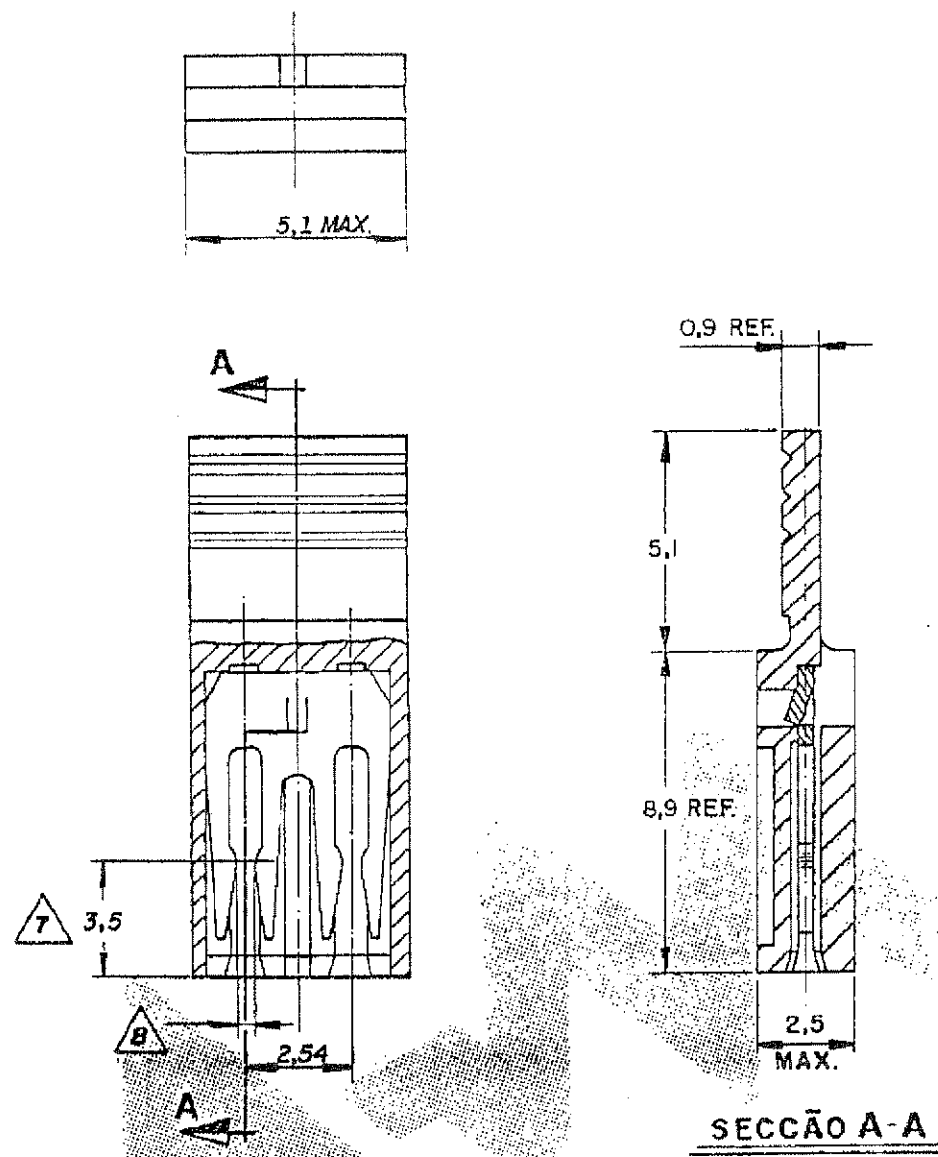


DO NOT SCALE
DIMENSIONS IN

METRIC



C 880584



- NOTAS:
- 1 MATERIAL: HOUSING: TERMOPLASTICO S/ FIBRA DE VIDRO V-0 COR: PRETO
CONTATO: BRONZE FOSFOROSO
MATERIAL: HOUSING: THERMOPLASTIC WITHOUT GLASS FIBER V-0 COLOR: BLACK
CONTACT: PHOSPHOROUS BRONZE
 - 2 MATERIAL: HOUSING: TERMOPLASTICO C/ FIBRA DE VIDRO NB COR: NATURAL
CONTATO: BRONZE FOSFOROSO
MATERIAL: HOUSING: THERMOPLASTIC WITH GLASS FIBER NB COLOR: NATURAL
CONTACT: PHOSPHOROUS BRONZE
 - 3 0,38 µm. MIN. OURO NA AREA DE CONTATO, SOBRE BANHO 0,76 µm NIQUEL
0,38 µm. MIN. GOLD ON CONTACT AREA, 0,76 µm NIQUEL UNDERPLATING
 - 4 0,76 µm. MIN. OURO NA AREA DE CONTATO, SOBRE BANHO 0,76 µm NIQUEL
0,76 µm. MIN. GOLD ON CONTACT AREA, 0,76 µm NIQUEL UNDERPLATING
 - 5 1,27 µm. MIN. OURO NA AREA DE CONTATO, SOBRE BANHO 0,76 µm NIQUEL
1,27 µm. MIN. GOLD ON CONTACT AREA, 0,76 µm NIQUEL UNDERPLATING
 - 6 ESTANHO SOBRE NIQUEL
TIN UNDER NICKEL
 - 7 PONTO DE CONTATO P/ MEDIÇÃO DA CAMADA DE OURO
CONTACT POINT FOR GOLD PLATING MEASUREMENT
 - 8 ACEITA PINO QUADRADO 0,64 x 0,64 OU REDONDO Ø 0,64
ALLOW SQUARE PIN 0,64 x 0,64 OR ROUND Ø 0,64
 - 9 MATERIAL: HOUSING: TERMOPLASTICO C/ FIBRA DE VIDRO COR VERMELHO, V-2
CONTATO: BRONZE FOSFOROSO
MATERIAL: HOUSING: THERMOPLASTIC WITH GLASS FIBER COLOR RED; V-2
CONTACT: PHOSPHOROUS BRONZE

		3	10	L	2 - 880584	- 1
11	OBSOLETE	6	9			9
11	OBSOLETE	6				8
		5				- 7
11	OBSOLETE	4				6
		3	2			- 5
		6				- 4
11	OBSOLETE	5				3
		4				- 2
		3	1	K7	880584	- 1

OTHER TREATMENT		FINISH		MATERIAL		PART REV.		PART NUMBER			
CUSTOMER DWG for REFERENCE ONLY				TOLERANCES UNLESS OTHERWISE STATED DEC. ± 0,3 ANGLES ± 1°		INS. DIA. RANGE //		WIRE RANGE //		SCALE //	
				DR. <i>Paulo 01/01/04</i>		TE TE Connectivity					
				CHK. <i>H. JUNHO 18/04</i>		DESCRIPTION ..		AMP SHUNT CONNECTOR ASS'Y			
L4 REV. ECO 11-023509		HC	WLS	02DEC11		DE.					
L3 REVISED PER ECO-11-005139		RK	HMR	28MAR11							
153 REVISION RECORD		DR	CHK	DATE		APP. <i>[Signature]</i>		A3		C 880584	
								DWG NO		SHEET	
								880584		1072	

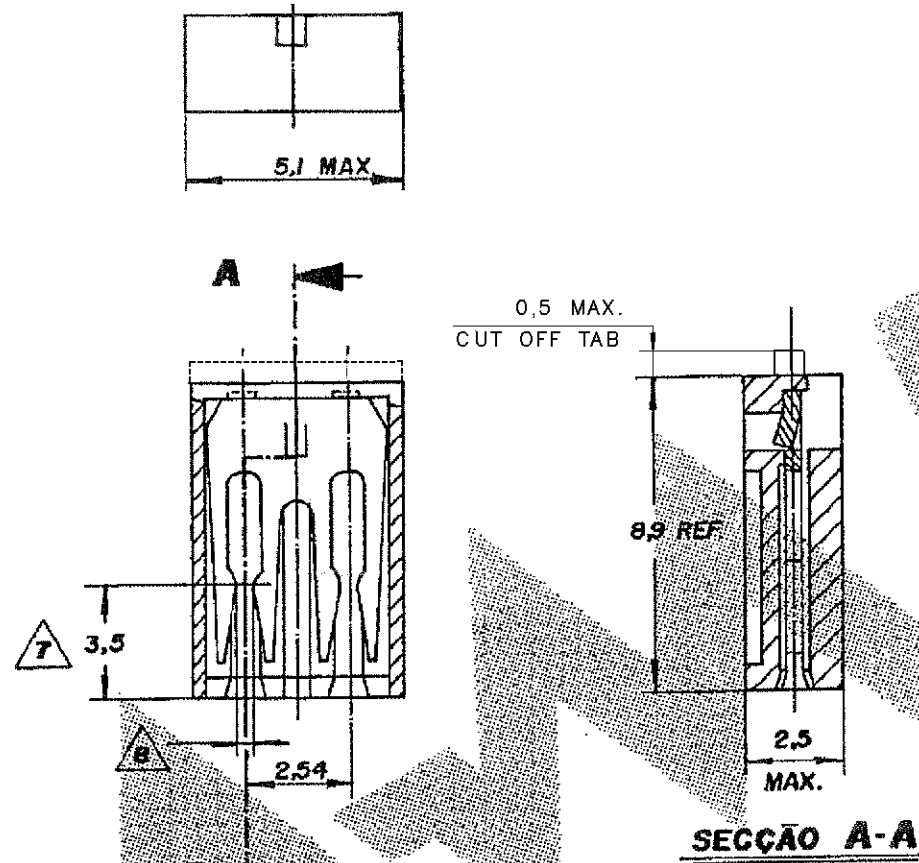
C 880584

DO NOT SCALE
DIMENSIONS IN mm

METRIC



- 10 MATERIAL: HOUSING: TERMOPLASTICO C/ FIBRA DE VIDRO V-2 COR: VERDE
CONTATO: BROZE FOSFOROSO
- MATERIAL: HOUSING: THERMOPLASTIC WITH GLASS FIBER V-2 COLOR: GREEN
CONTACT: PHOSPHOROUS BRONZE
- 11 OBSOLETE PARTS: OBSOLETE CIS STREAMLINING PER D.RENAUD/D.SINISI



11 OBSOLETE	6			1	8
	5			1	7
11 OBSOLETE	4			1	6
	3		2	1	5
	6			1	4
	5			1	3
	4			1	2
	3		1	K1	1

OTHER TREATMENT	FINISH	MATERIAL	PART REV.	PART NUMBER
CUSTOMER DWG for REFERENCE ONLY				
TOLERANCES UNLESS OTHERWISE STATED DEC. ± 0,5 ANGLES ± 1°		INS. DIA. RANGE	WIRE RANGE	SCALE
DR. <i>Isidor Gallo</i> 09-MAR-87 CHK. <i>N. Silva</i> 09-MAR-87 DE. <i>[Signature]</i> 09-MAR-87		TE TE Connectivity		
		DESCRIPTION AMP SHUNT CONNECTOR ASS'Y		
L4		DWG NO	SHEET	
REVISION RECORD		A3	C 880584	2 of 2

Mouser Electronics

Authorized Distributor

Click to View Pricing, Inventory, Delivery & Lifecycle Information:

[TE Connectivity:](#)

[880584-1](#)