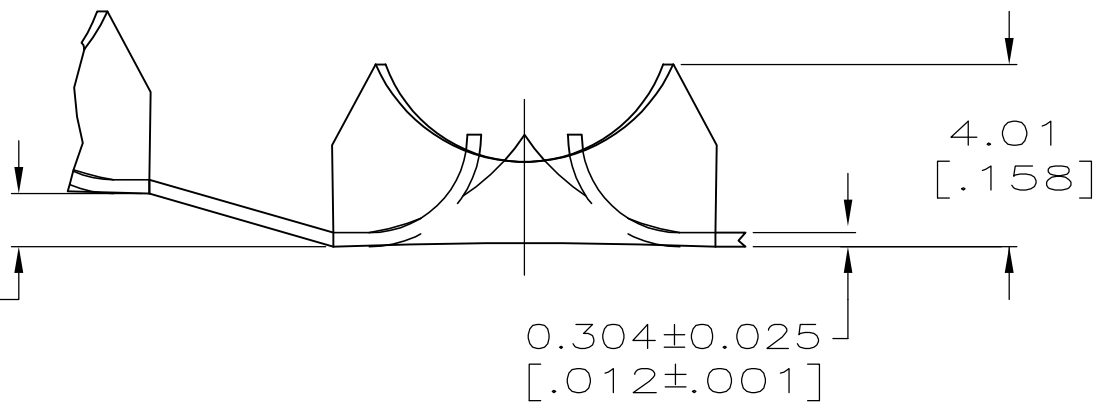
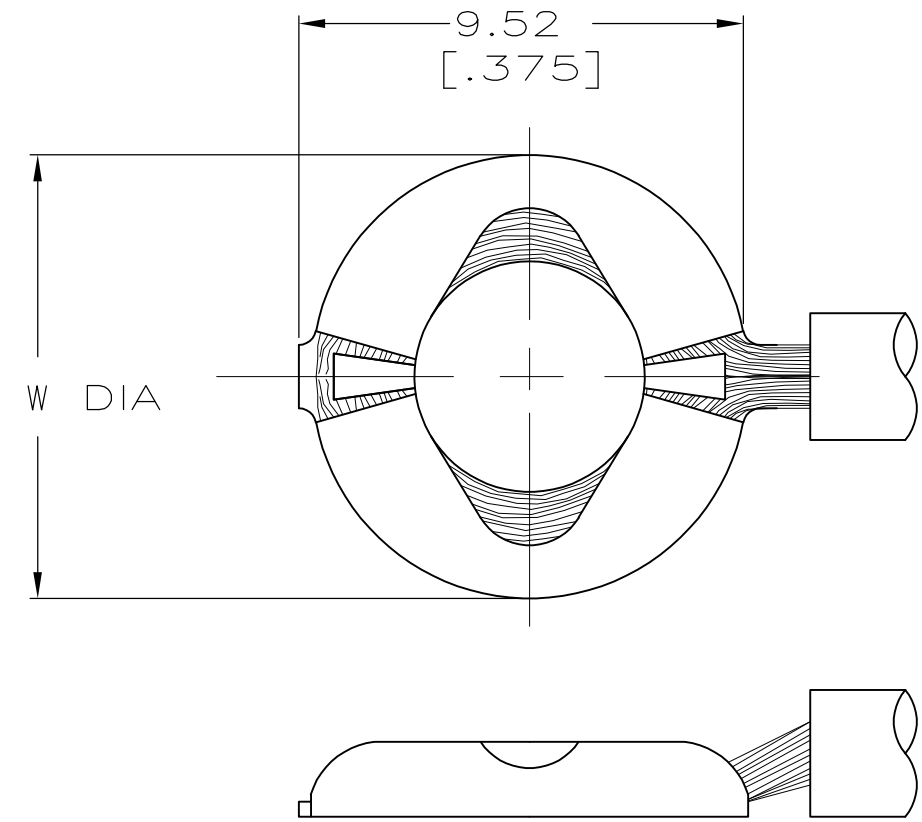
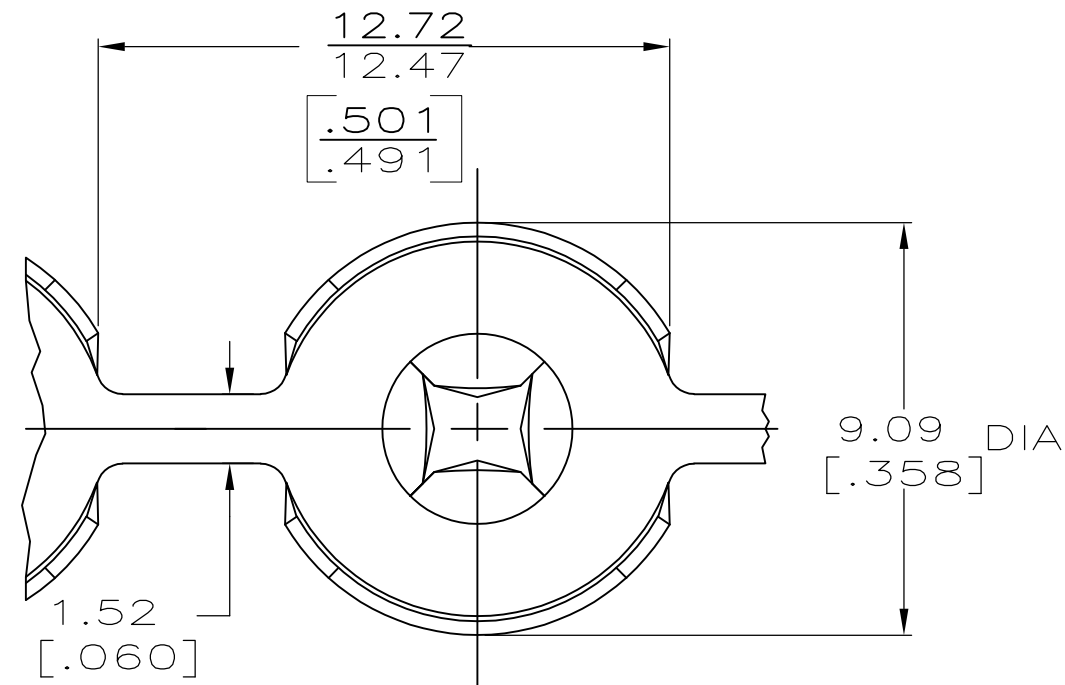


THIS DRAWING IS UNPUBLISHED. RELEASED FOR PUBLICATION
 © COPYRIGHT BY TYCO ELECTRONICS CORPORATION. ALL INTERNATIONAL RIGHTS RESERVED.

LOC	DIST	REVISIONS					
AF	50	P	LTR	DESCRIPTION	DATE	DWN	APVD
		AA1		REVISED PER ECR 10-007002	31MAR10	JR	PD

1 CONTINUOUS STRIP ON REELS
 2 PRELIMINARY — NOT FOR PRODUCTION



8.84 [.348]	4.93 [.194]	40629-1 D	40629 D
9.78 [.385]	5.31 [.209]	40629-1 C	40629 C
9.78 [.385]	4.93 [.194]	40629-1 B	40629 B
9.78 [.385]	4.62 [.182]	40629-1 A	40629 A
W	0.13 HOLE DIA ± [.005]	WITH PAPER	NO PAPER
		TOOLING DESIGNATION FOR APPLICATOR	

WITH INTERLEAFING PAPER	0.8mm ² -2.0mm ²	2 40629-1
STANDARD	[18-14] AWG	40629
REELING	WIRE SIZE	PART NO.

THIS DRAWING IS A CONTROLLED DOCUMENT.

DWN	P FORTNEY	1/26/90	Tyco Electronics Corporation Harrisburg, PA 17105-3608
CHK	MS FEHER	1/26/90	
APVD	G YETTER	1/26/90	
NAME	EYELET, CROWN CRIMP		
DIMENSIONS: INCHES	TOLERANCES UNLESS OTHERWISE SPECIFIED:	0 PLC ± - 1 PLC ± - 2 PLC ± - 3 PLC ± 0.38 [.015] 4 PLC ± - ANGLES ± -	
MATERIAL	FINISH	#1 HARD BRASS -	
WEIGHT - CUSTOMER DRAWING		SIZE A3 CAGE CODE 00779 DRAWING NO C-40629	RESTRICTED TO - SCALE 6:1 SHEET 1 OF 1 REV AA1

Mouser Electronics

Authorized Distributor

Click to View Pricing, Inventory, Delivery & Lifecycle Information:

[TE Connectivity:](#)

[40629](#)